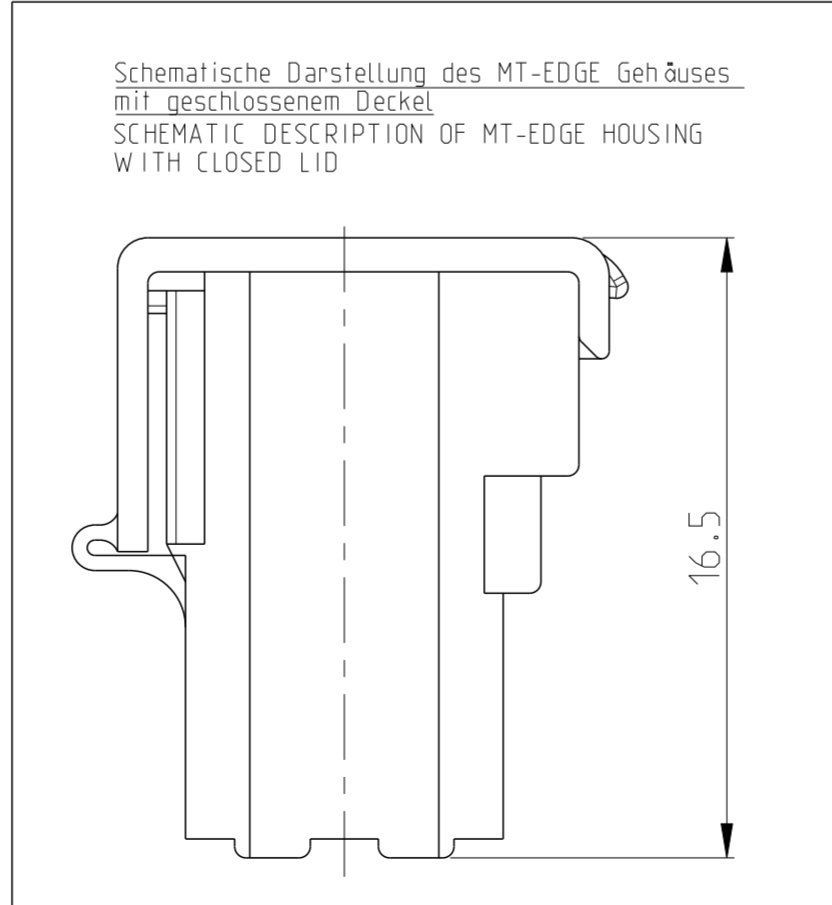
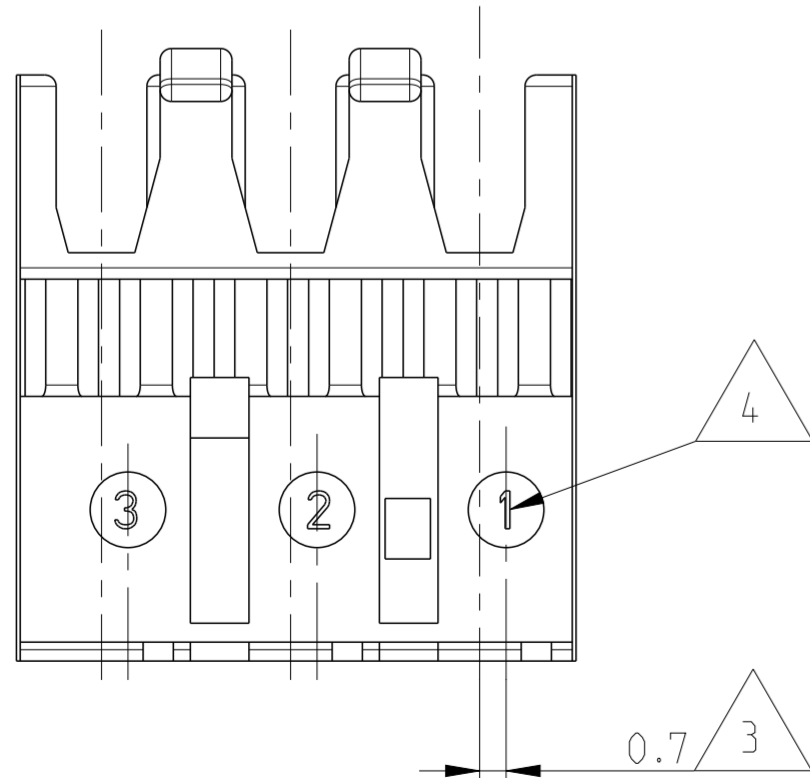
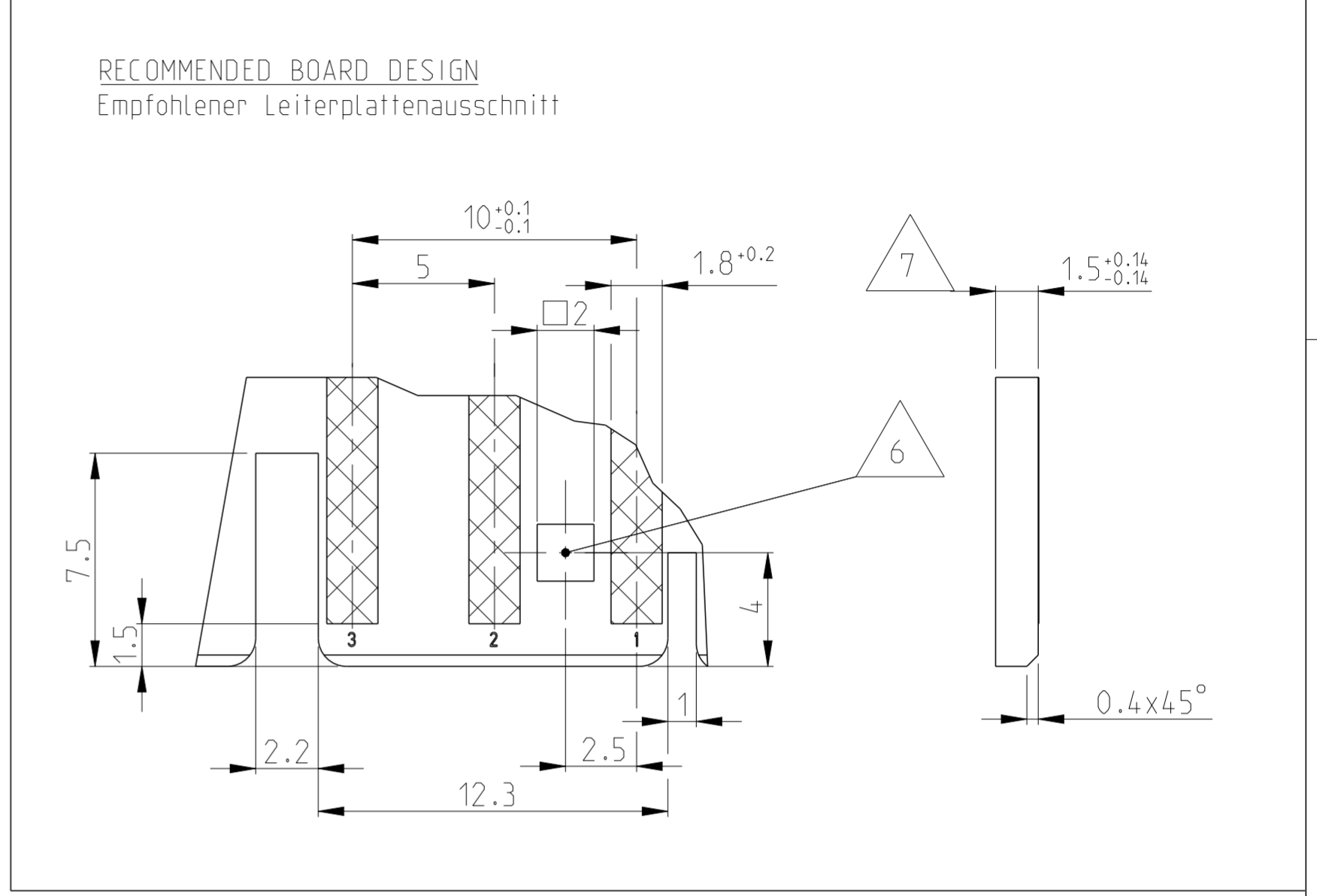
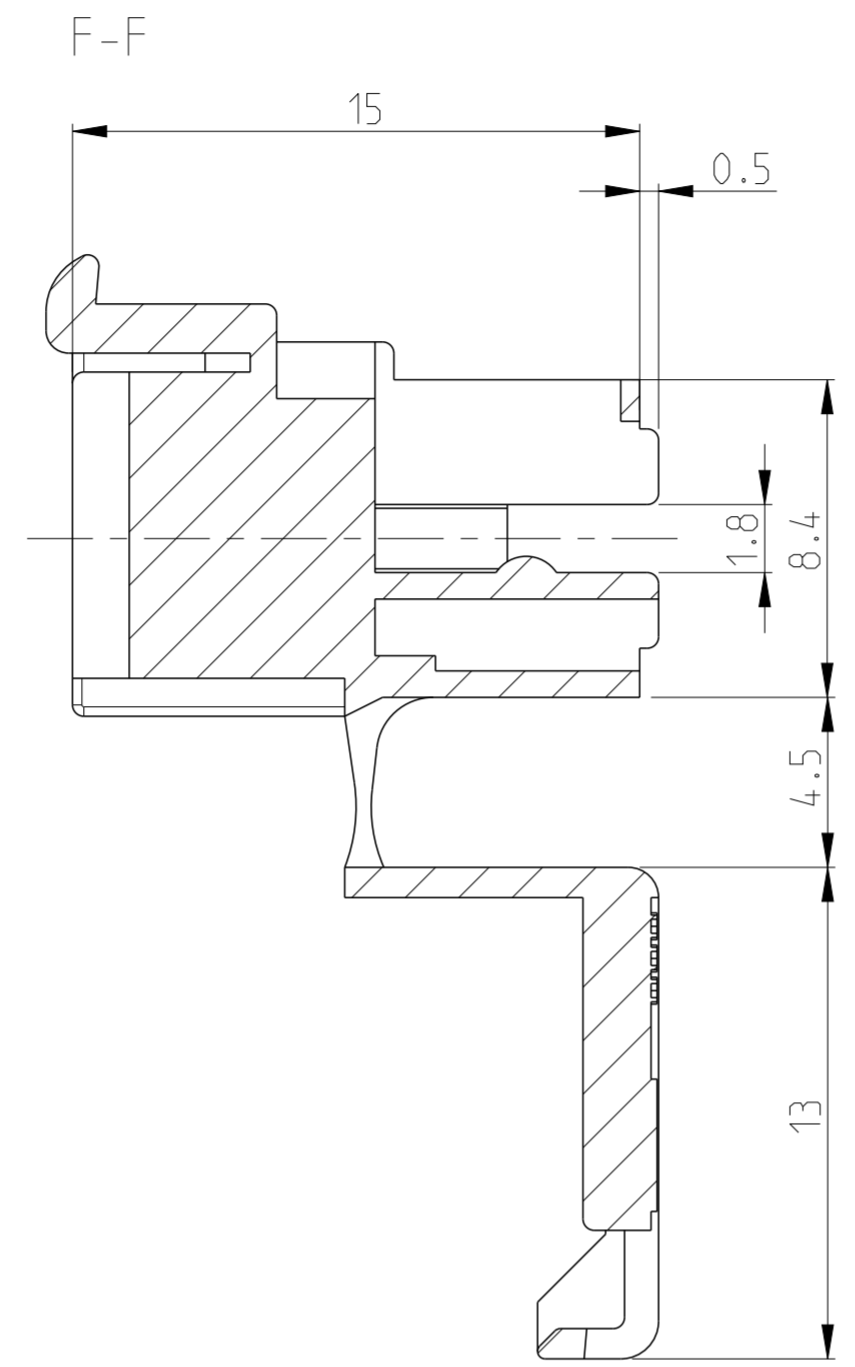
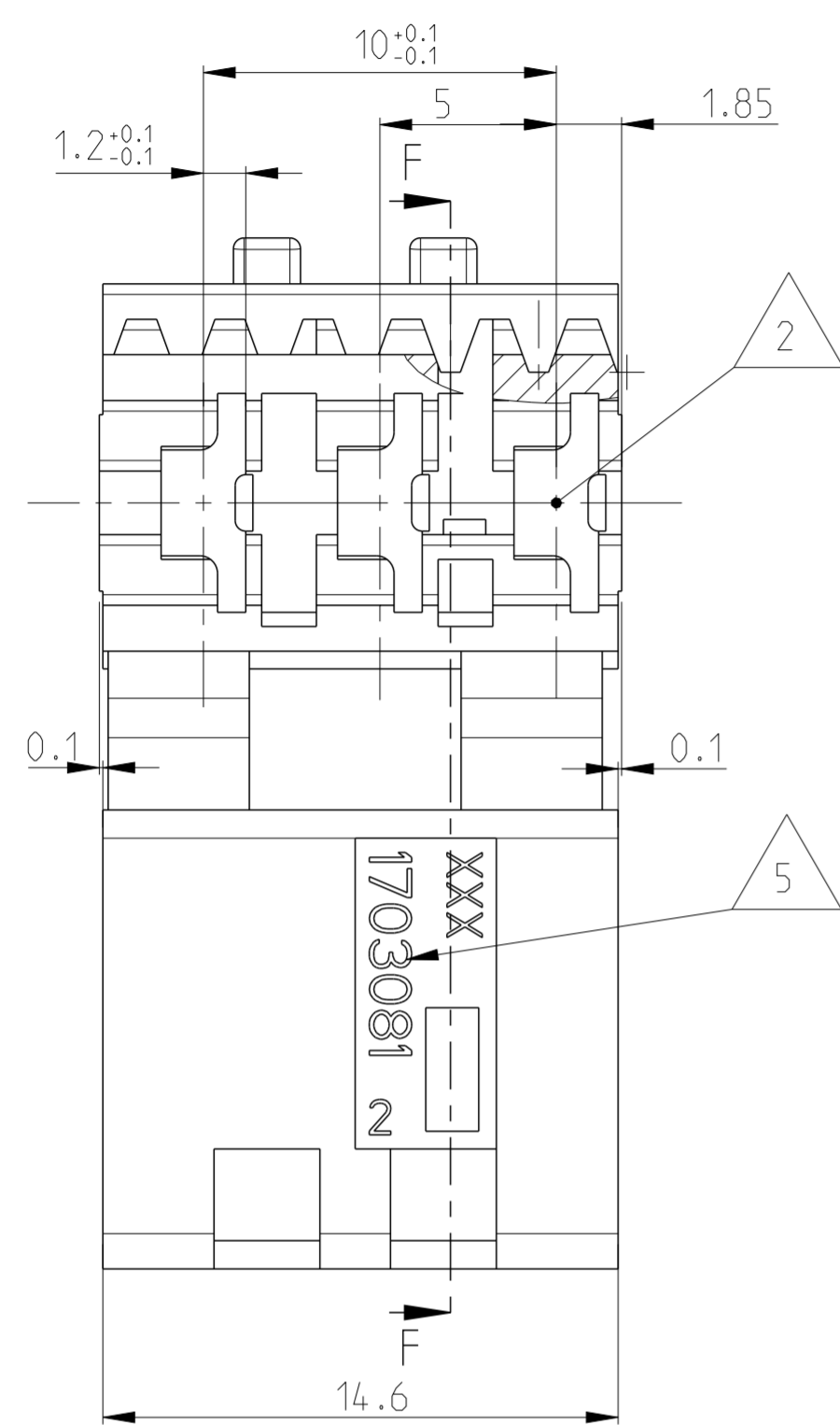


| LOC |     | DIST          |           | REVISIONS |      |  |  |
|-----|-----|---------------|-----------|-----------|------|--|--|
| P   | LTR | DESCRIPTION   | DATE      | DWN       | APVD |  |  |
|     | B   | ECR-12-002845 | 17APR2012 | MKD       | RRP  |  |  |
|     | B1  | ECR-13-010494 | 30JUN2013 | MKD       | RRP  |  |  |



Bemerkungen  
NOTES

- 1 Massgebend ist der deutsche Text  
ONLY THE GERMAN-LANGUAGE VERSION SHALL BE BINDING
- 2 Lage des Kontaktpunktes auf der Leiterplatte; Abweichung ±0.4  
POSITION OF CONTACT POINT ON BOARD; DEVIATION ±0.4
- 3 Kontaktierung zur Drahtmitte um 0.7mm versetzt  
CONTACTING 0.7mm DISPLACED TO WIRE CENTRELINE
- 4 Kontaktkammer-Nr.  
CONTACT CAVITY #
- 5 Firmenlogo und Leergehäuse-Nr.  
ARTWORK LOGO AND HOUSING # (NON LOADED)
- 6 Vierkantloch 2x2 mm wahlweise Rastloch Ø2.5 mm  
SQUARE HOLE 2x2 mm OPTIONAL LOCKING HOLE Ø2.5mm
- 7 Ausführung nach DIN 60249-2-4  
BOARD DESIGN ACCORDING TO DIN 60249-2-4
- 8 Crimp Kontakt-Nr.:  
Material: CuSn4 926770-1, 926917-1  
CRIMP CONTACT #: MATERIAL: CuSn4

|             |                 |        |
|-------------|-----------------|--------|
| -           | -               | -      |
| 1-1703081-1 | MT-EDGE HOUSING | NATURE |
| PART-NO.:   | DESCRIPTION     | COLOUR |

|  |  |                             |                                      |              |
|--|--|-----------------------------|--------------------------------------|--------------|
| THIS DRAWING IS A CONTROLLED DOCUMENT. |  | DWN MAHNKE, B. 20SEP2004    | TE Connectivity                      |              |
|  |  | CHK STREDAK, F. 20DEC2004   |                                      |              |
| DIMENSIONS: mm                         |  | APVD BLEICHER, M. 21DEC2004 | NAME 3 POS. MT-EDGE HOUSING RAST 5mm |              |
| TOLERANCES UNLESS OTHERWISE SPECIFIED: |  | PRODUCT SPEC 108-18003      | RESTRICTED TO -                      |              |
| 0 PLC ±                                |  | APPLICATION SPEC 114-18002  | SIZE A2                              | CAGE CODE    |
| 1 PLC ±0.2mm                           |  | WEIGHT 1.517 g              | DRAWING NO C-1703081                 | SHEET 1 OF 1 |
| 2 PLC ±                                |  | CUSTOMER DRAWING            | SCALE 5:1                            | REV B1       |
| 3 PLC ±                                |  |                             |                                      |              |
| 4 PLC ±                                |  |                             |                                      |              |
| ANGLES ±°                              |  |                             |                                      |              |
| FINISH                                 |  |                             |                                      |              |
| MATERIAL PA6.6 / UL94V-2               |  |                             |                                      |              |