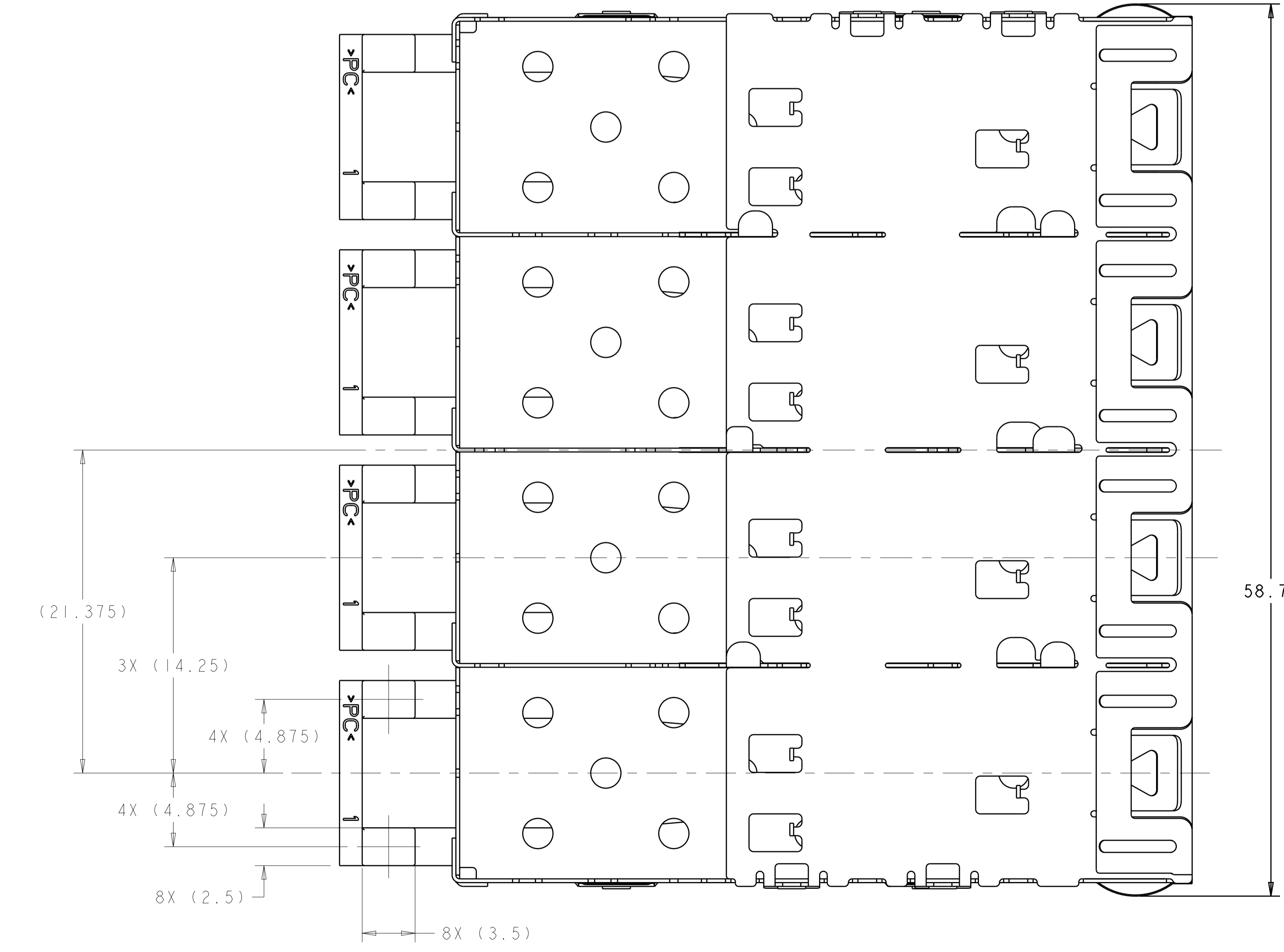
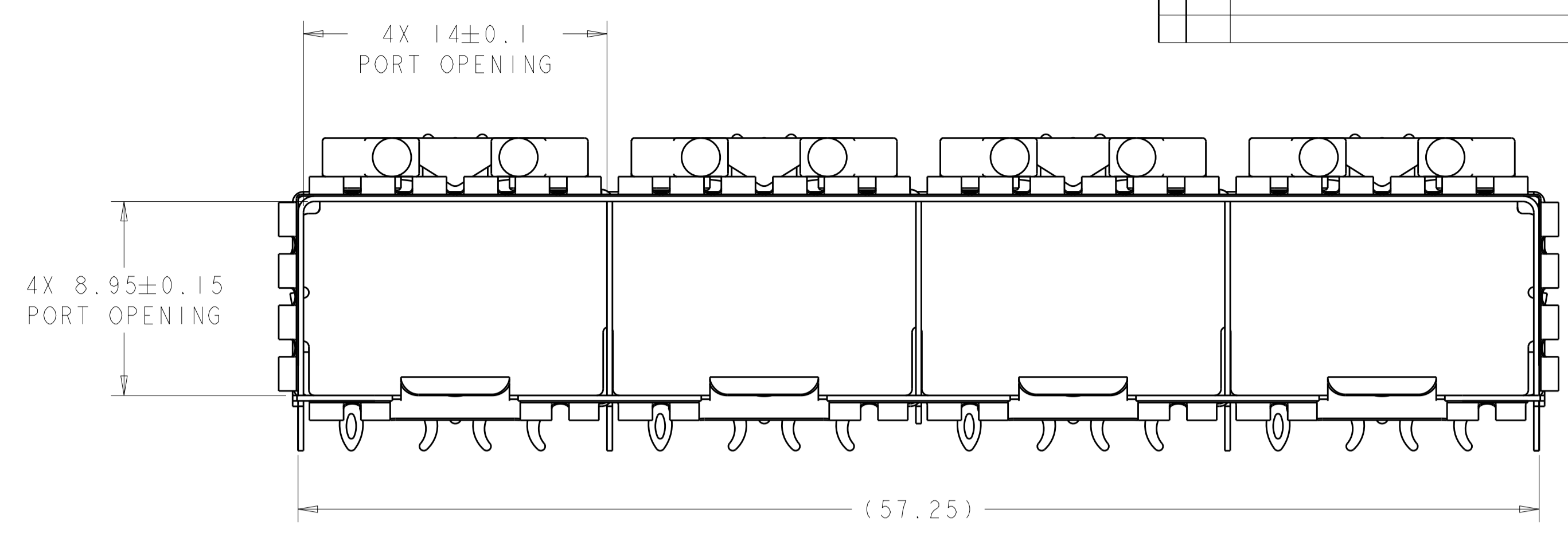
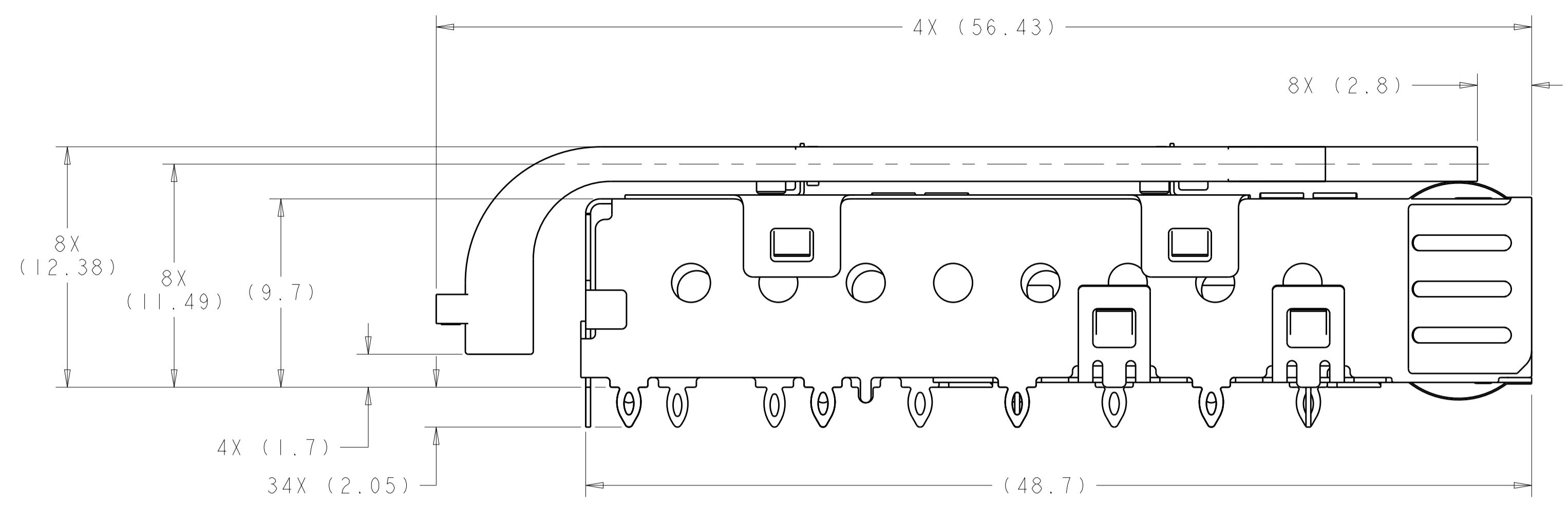
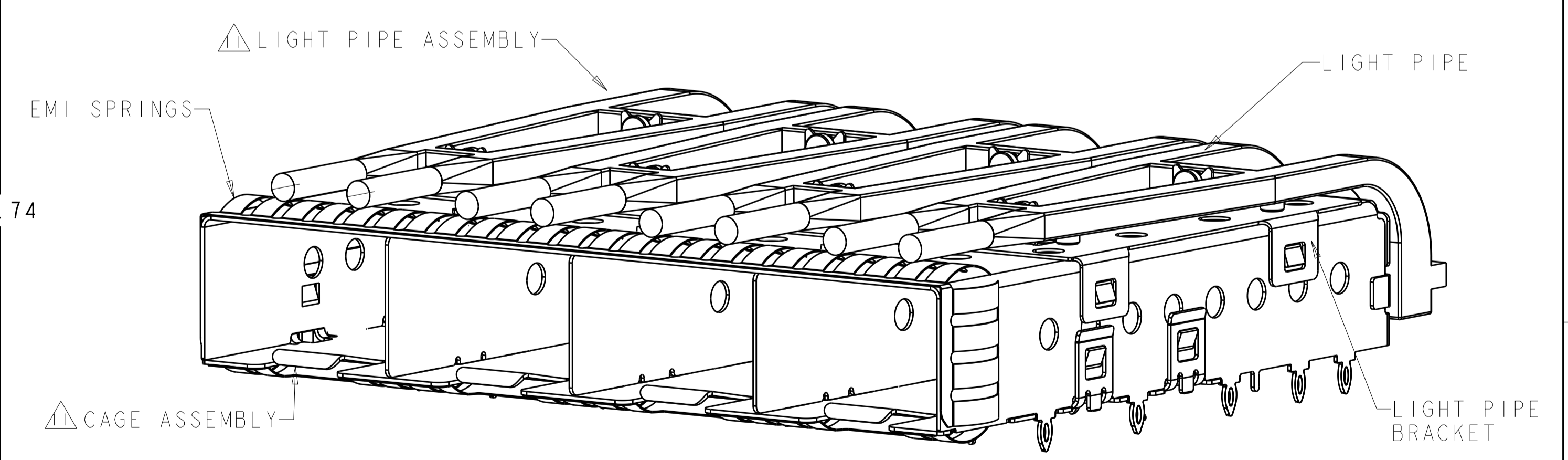


LOC		DIST		REVISIONS			
GP	00	P	LTN	DESCRIPTION	DATE	DWN	APVD
		A		RELEASED	26FEB2016	JW	SH



- △ MATERIAL:
 CAGE ASSEMBLY: 0.25mm THICK NICKEL SILVER ALLOY
 LIGHT PIPE BRACKET: STAINLESS STEEL
 LIGHT PIPE: POLYCARBONATE, CLEAR
- △ FINISH:
 SPRINGS: MINIMUM OF 0.8um TIN PLATE OVER A MINIMUM OF 0.8um NICKEL UNDERPLATE.
 NON-PLATED EDGES PERMISSIBLE.
- △ PADS AND VIAS CHASSIS GROUND.
- △ DATUM AND BASIC DIMENSION ESTABLISHED BY CUSTOMER.
- 5. MATES WITH SFP MSA COMPLIANT TRANSCEIVERS.
- 6. INTERPRETATION OF DATUM REFERENCE FRAME IN ACCORDANCE WITH SECT 4.4.1.1 OF ASME Y14.5M-1994.
- △ REFERENCE APPLICATION SPEC. 114-13120, HOLE A, FOR RECOMMENDED DRILL HOLE DIAMETER AND PLATING THICKNESS.
- △ REFERENCE APPLICATION SPEC. 114-13120, HOLE B, FOR RECOMMENDED DRILL HOLE DIAMETER AND PLATING THICKNESS.
- △ HOLE PATTERN REPEATS FOR EACH PORT. SPACING BETWEEN PORTS IS 14.25mm.
- △ MINIMUM PC BOARD THICKNESS:
 SINGLE SIDED = 1.50
 DOUBLE SIDED = 2.25
- △ LIGHT PIPE ASSEMBLY SHIPPED UNASSEMBLED TO CAGE ASSEMBLY. CAGE ASSEMBLY TO BE PRESSED INTO THE PCB PRIOR TO ATTACHING THE LIGHT PIPE ASSEMBLY TO THE CAGE.
- 12. CERTAIN MATING TRANSCEIVERS MAY REQUIRE ADDITIONAL PCB THICKNESS THAT WOULD BE DETERMINED BY THE CUSTOMER.
- 13. PRODUCT COMPLIES WITH SPECIFICATION SFF-8433 IMPROVED PLUGGABLE FROM FACTOR FOR SFP+ GANGED CAGES.

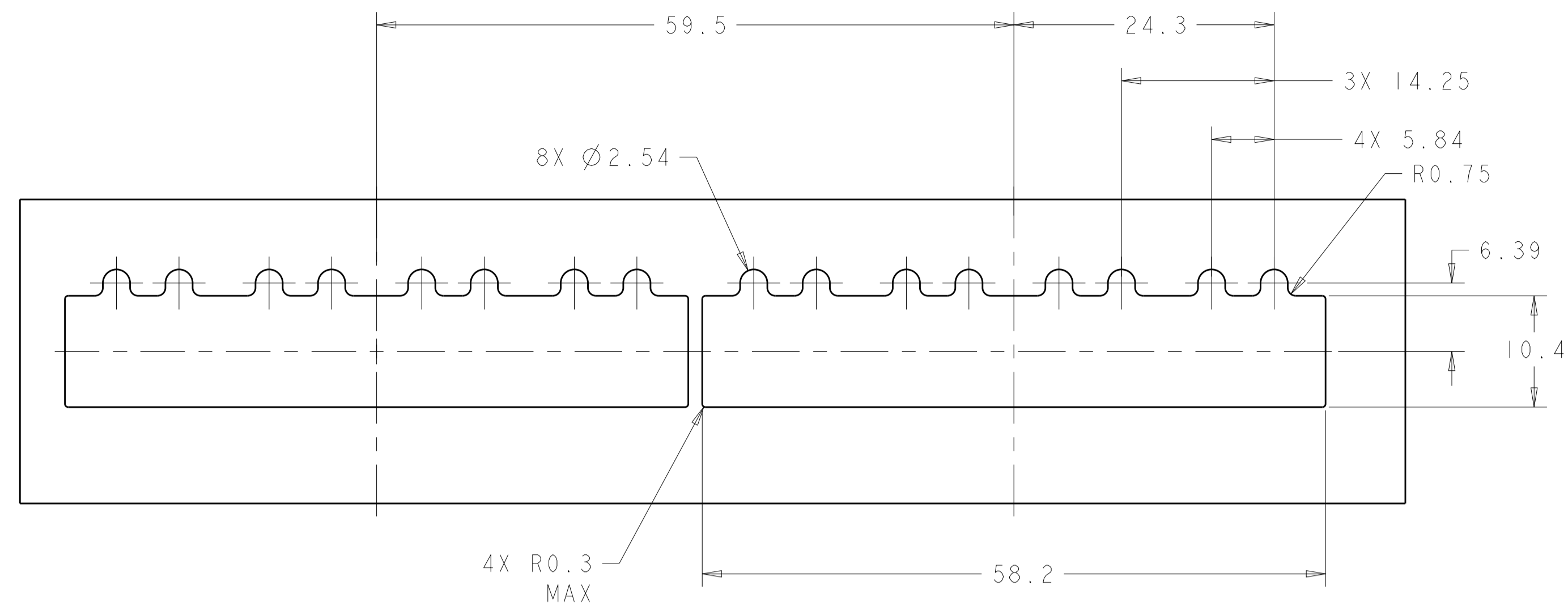


2170030-1
 FINISHED ASSEMBLY
 SCALE 4:1

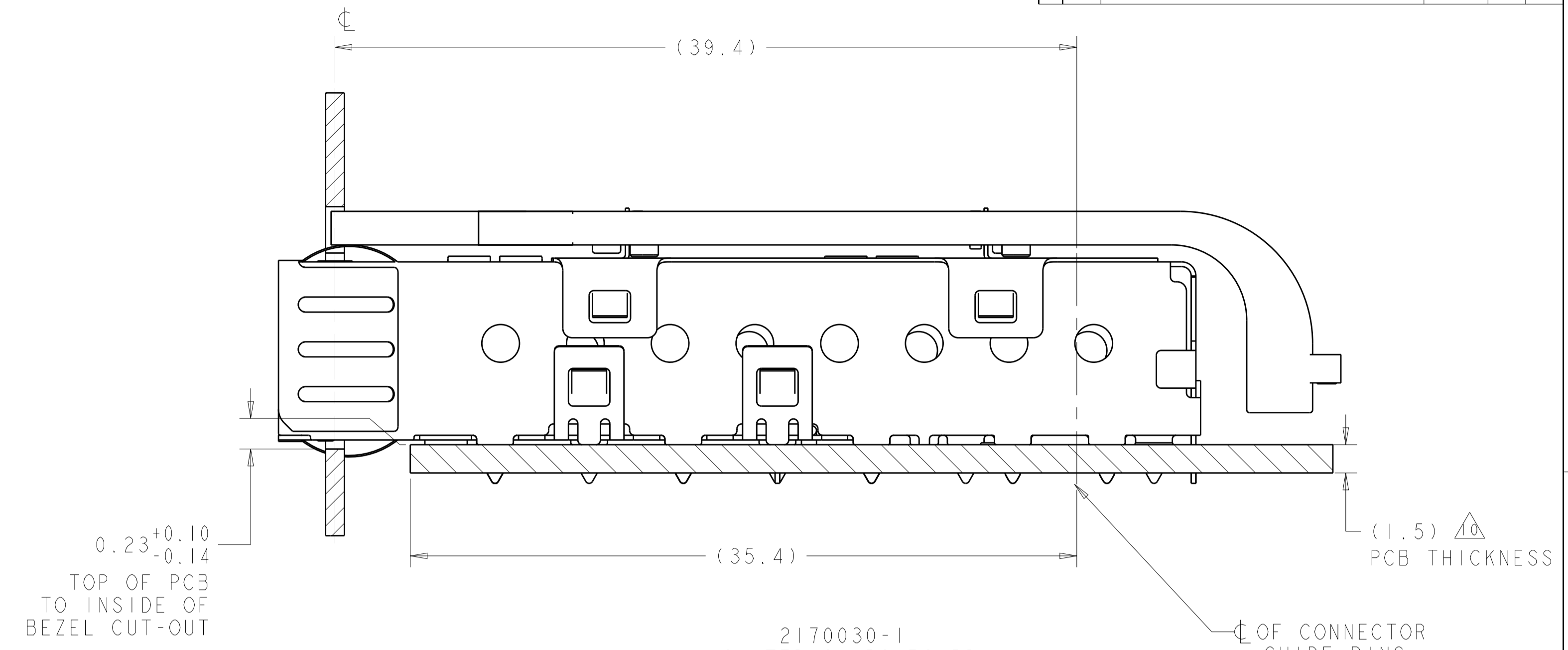
2170030-1
 PART NUMBER

THIS DRAWING IS A CONTROLLED DOCUMENT.		DWN T. XUE	Z0DEC2010	TE Connectivity
DIMENSIONS:		CHK C. WANG	Z0DEC2010	
mm	TOLERANCES UNLESS OTHERWISE SPECIFIED:	APVD C. WANG	Z0DEC2010	NAME SFP+ 1X4 CAGE ASSEMBLY
0 PLC ±0.1 1 PLC ±0.1 2 PLC ±0.1 3 PLC ±0.1 4 PLC ±0.1 ANGLES ±1°	FINISH △2	PRODUCT SPEC 108-2364	APPLICATION SPEC 114-13120	SIZE A100779
MATERIAL △1		WEIGHT		CUSTOMER DRAWING SCALE 5:1 SHEET 1 OF 4 REV A

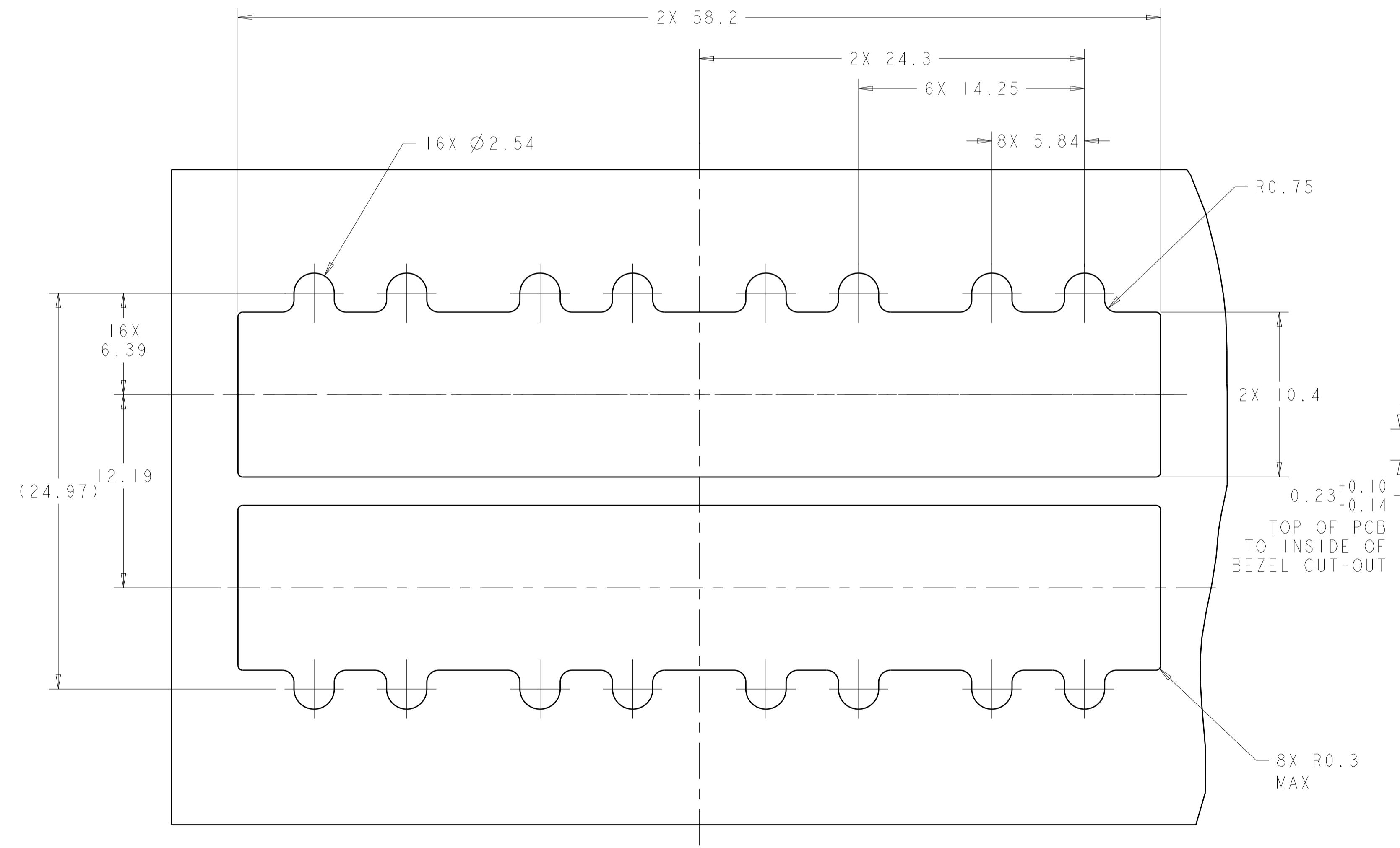
LOC		DIST		REVISIONS			
GP	00	P	LTN	DESCRIPTION	DATE	DMN	APVD
		-		SEE SHEET 1			



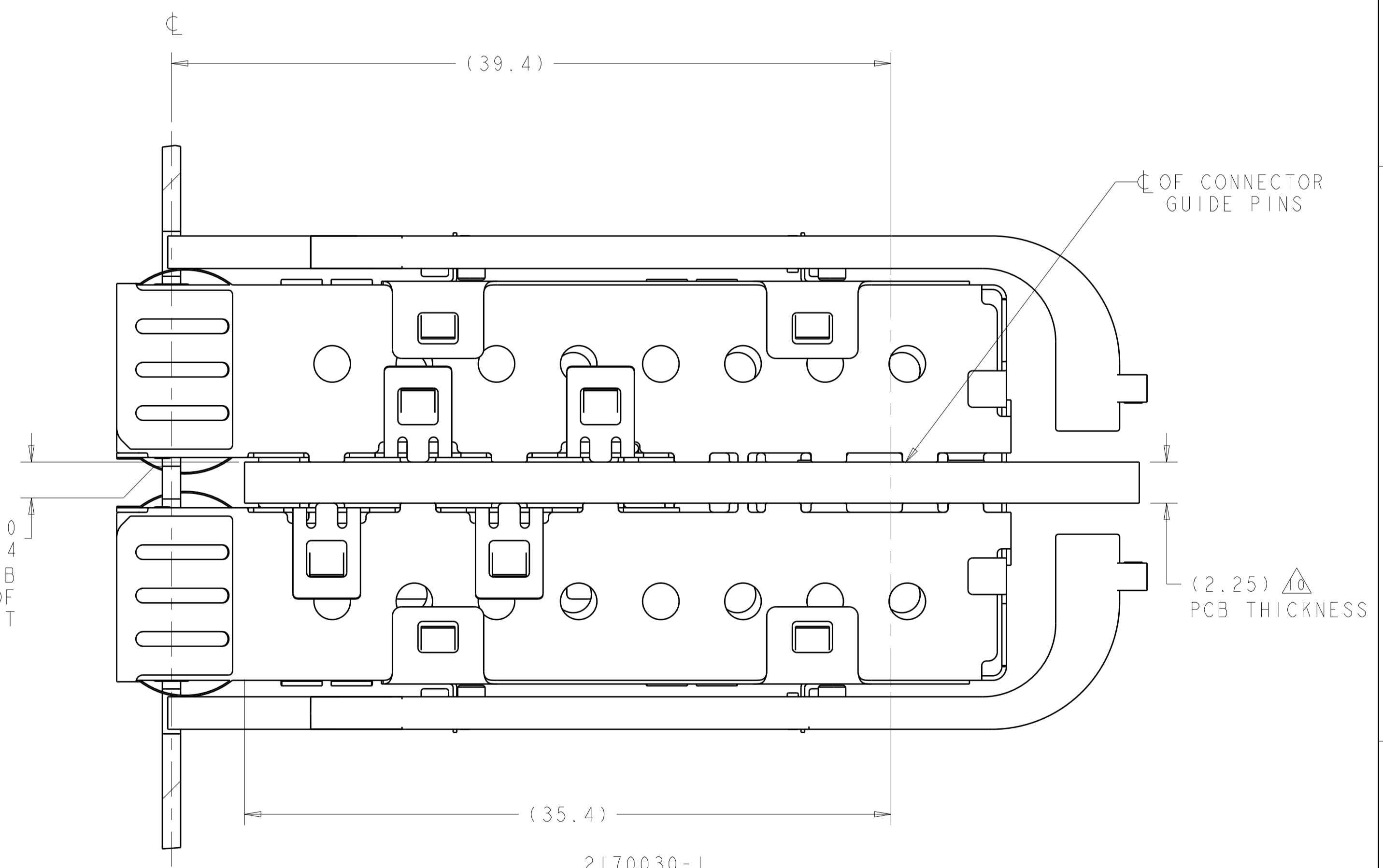
RECOMMENDED BEZEL CUT-OUT
 SINGLE SIDED APPLICATIONS
 SCALE 5:2



2170030-1
 MOUNTED ON PC BOARD
 SHOWN THRU RECOMMENDED BEZEL



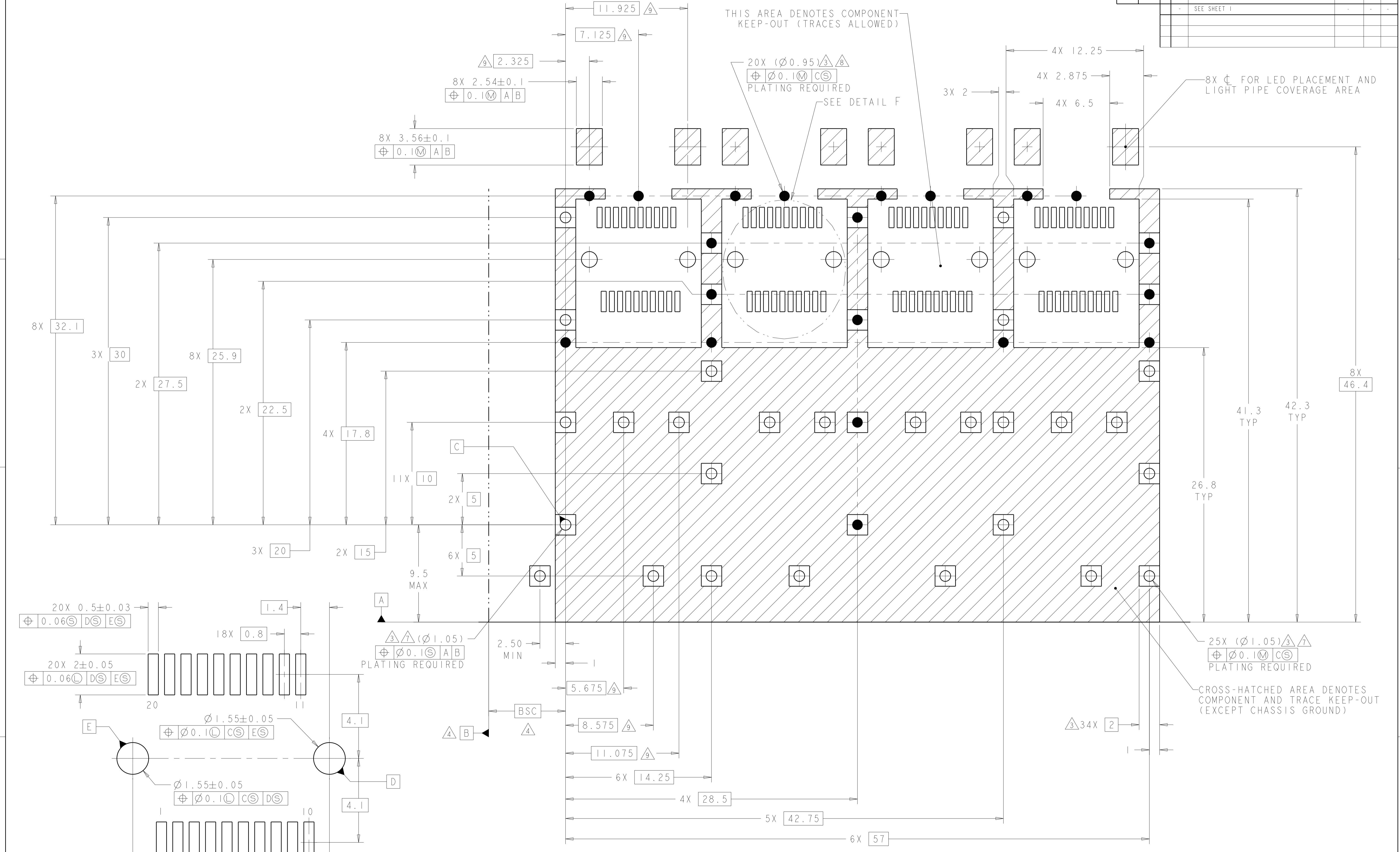
RECOMMENDED BEZEL CUT-OUT
 BELLY TO BELLY APPLICATIONS



2170030-1
 MOUNTED BELLY TO BELLY ON PC BOARD
 SHOWN THRU RECOMMENDED BEZEL

THIS DRAWING IS A CONTROLLED DOCUMENT.		DMN T. XUE	Z0DEC2010	STE TE Connectivity
DIMENSIONS:		CHK C. WANG	Z0DEC2010	
mm	TOLERANCES UNLESS OTHERWISE SPECIFIED:	APVD C. WANG	Z0DEC2010	NAME SFP+ 1X4 CAGE ASSEMBLY PRESS FIT, EXTERNAL EMI SPRINGS WITH ULTRA LOW PROFILE LIGHT PIPES
	0 PLC ±0.1	PRODUCT SPEC	108-2364	
	1 PLC ±0.1	APPLICATION SPEC	114-13120	SIZE CAGE CODE DRAWING NO A100779C=2170030
	2 PLC ±0.1	WEIGHT		RESTRICTED TO
	3 PLC ±0.1	CUSTOMER DRAWING	SCALE 5:1 SHEET 2 OF 4 REV A	
	4 PLC ±0.1			
	ANGLES ±1°			
MATERIAL	FINISH			

LOC		DIST		REVISIONS				
GP	00	P	LTN	DESCRIPTION	DATE	DMN	APVD	
-	-	-	-	SEE SHEET 1	-	-	-	

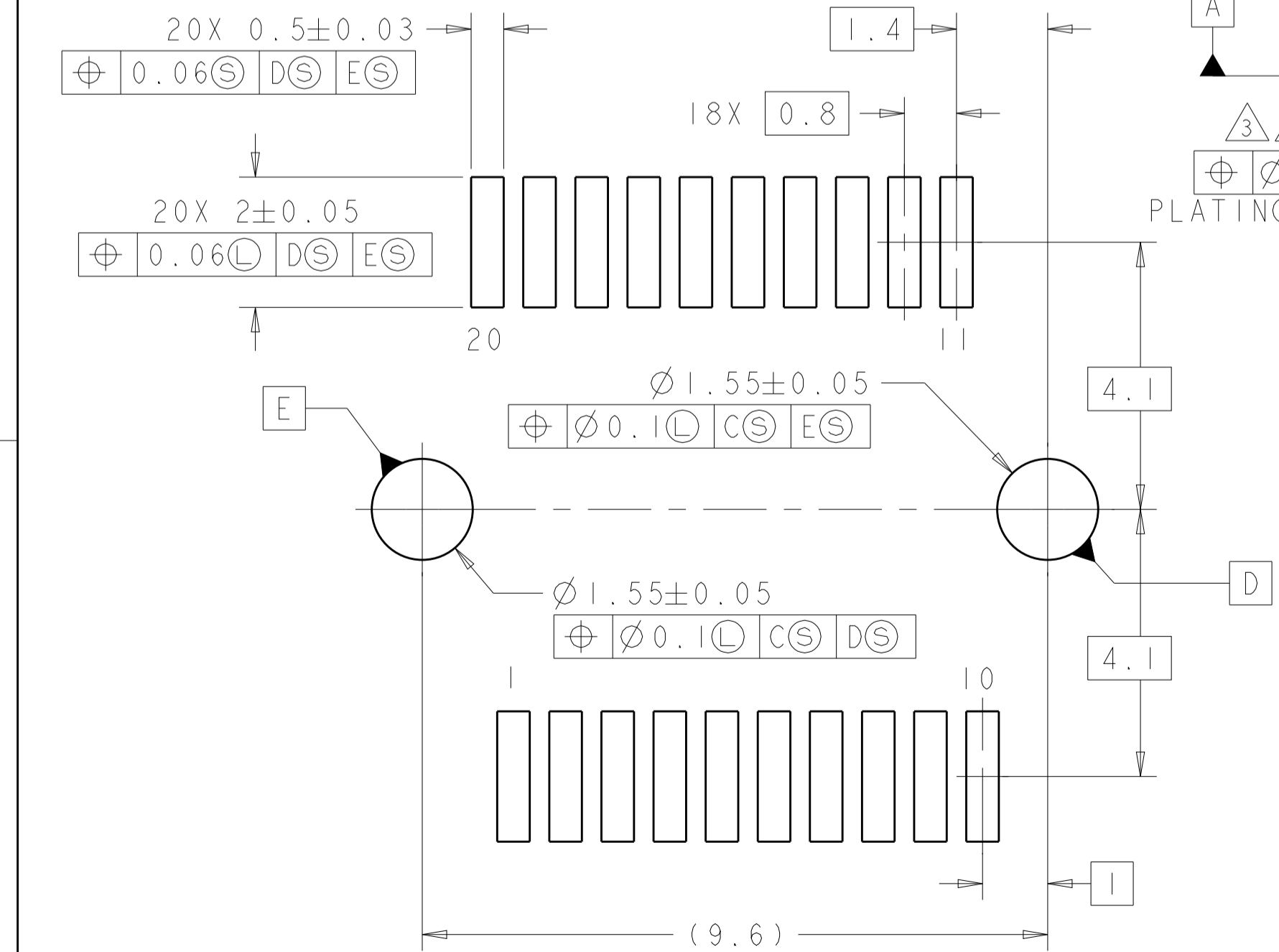


THIS AREA DENOTES COMPONENT KEEP-OUT (TRACES ALLOWED)

8X FOR LED PLACEMENT AND LIGHT PIPE COVERAGE AREA

20X (Ø0.95) PLATING REQUIRED
 20X (Ø0.10) PLATING REQUIRED
 SEE DETAIL F

25X (Ø1.05) PLATING REQUIRED
 CROSS-HATCHED AREA DENOTES COMPONENT AND TRACE KEEP-OUT (EXCEPT CHASSIS GROUND)



DETAIL F
 RECOMMENDED PT CONNECTOR LAYOUT
 4X INDIVIDUALLY
 SCALE 12:1

RECOMMENDED PCB CONFIGURATION WITH KEEP-OUT AREAS
 SINGLE SIDED APPLICATIONS
 SCALE 6:1

THIS DRAWING IS A CONTROLLED DOCUMENT.		DMN: T. XUE	Z0DEC2010	TE Connectivity
DIMENSIONS: mm		CHK: C. WANG	Z0DEC2010	
TOLERANCES UNLESS OTHERWISE SPECIFIED:		APVD: C. WANG	Z0DEC2010	NAME: SFP+ 1X4 CAGE ASSEMBLY PRESS FIT, EXTERNAL EMI SPRINGS WITH ULTRA LOW PROFILE LIGHT PIPES
0 PLC ±0.1		PRODUCT SPEC	108-2364	
1 PLC ±0.1		APPLICATION SPEC	114-13120	
2 PLC ±0.1		WEIGHT	-	
3 PLC ±0.1		SCALE	5:1	SHEET 3 OF 4 REV A
4 PLC ±0.1		CUSTOMER DRAWING	-	
ANGLES ±1°		A100779C=2170030		

