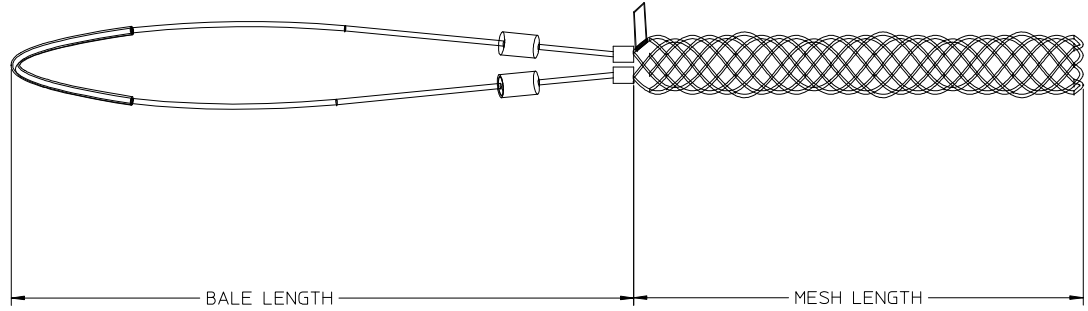
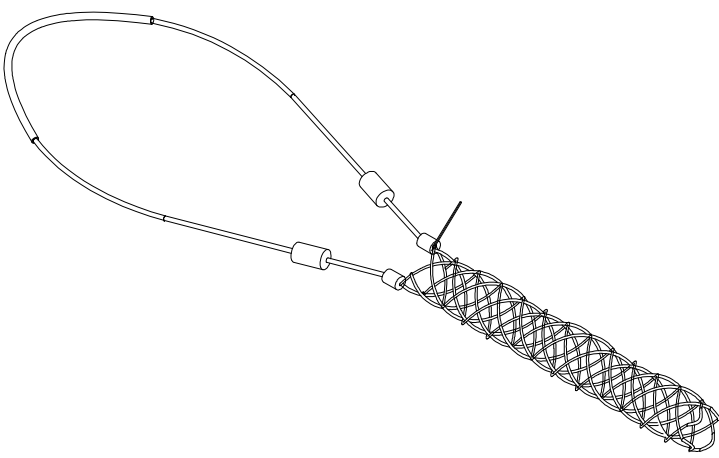


OLD PART NO.	ORDER NO.	CABLE DIA. RANGE	BALE LENGTH	MESH LENGTH	APPROXIMATE BREAK STRENGTH
36670	130094-0522	.180-.250"	3.00"	1.70"	300 LBS
36671	130094-0523	.230-.320"	3.00"	2.50"	300 LBS
36672	130094-0524	.300-.390"	4.00"	2.50"	300 LBS
36673	130094-0525	.370-.480"	5.00"	4.00"	300 LBS
36674	130094-0526	.460-.580"	6.00"	4.00"	400 LBS
36675	130094-0527	.560-.710"	7.00"	5.50"	500 LBS
36676	130094-0528	.690-.880"	8.00"	6.00"	800 LBS



COMPONENT	MATERIAL	FINISH
FLAG LABEL	POLYESTER	SILVER
FERRULE	STAINLESS STEEL	PASSIVATE
.030 WIRE 1X7LHLAY MESH	BRONZE	TINNED
.075 WIRE 1X7LHLAY BALE	BRONZE	TINNED
.187X1.000 SLEEVE	STAINLESS STEEL	PASSIVATE

ENTER DESCRIPTION EC NO: WNA2009-0481 DRWNSGARCIA 2009/03/31 CHKD: B WOODMAN APPR: J MURPHY 2009/04/01 REV A	DESCRIPTION 2009/04/01	QUALITY SYMBOLS ▽=0 ▽=0
	GENERAL TOLERANCES (UNLESS SPECIFIED) 4 PLACES ± --- ± --- 3 PLACES ± --- ± --- 2 PLACES ± --- ± --- 1 PLACE ± --- ± --- ANGULAR ±1/2°	DIMENSION STYLE IN/MM DRAWN BY SGARCIA DATE 02/11/09 CHECKED BY B WOODMAN DATE 02/11/09 APPROVED BY JFMURPHY DATE 02/11/09
	DRAFT WHERE APPLICABLE MUST REMAIN WITHIN DIMENSIONS	MATERIAL NO. SEE CHART SIZE C
	TITLE SUPPORT GRIPS FOR FIBER OPTICS	SCALE 1:10 DESIGN UNITS INCH THIRD ANGLE PROJECTION

TITLE: SUPPORT GRIPS FOR FIBER OPTICS
 SCALE: 1:10
 DESIGN UNITS: INCH
 THIRD ANGLE PROJECTION
 MOLEX INCORPORATED
 DOCUMENT NO. SD-130094-001
 SHEET NO. 1 OF 1
 THIS DRAWING CONTAINS INFORMATION THAT IS PROPRIETARY TO MOLEX INCORPORATED AND SHOULD NOT BE USED WITHOUT WRITTEN PERMISSION