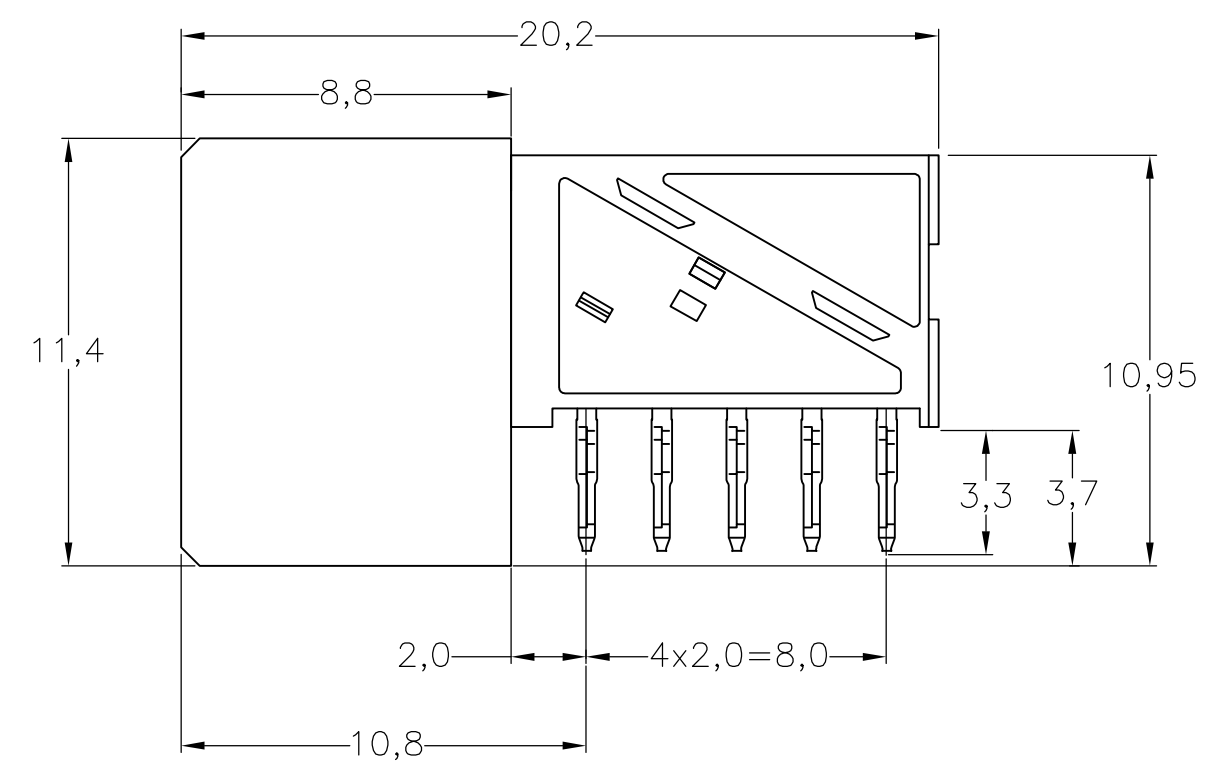
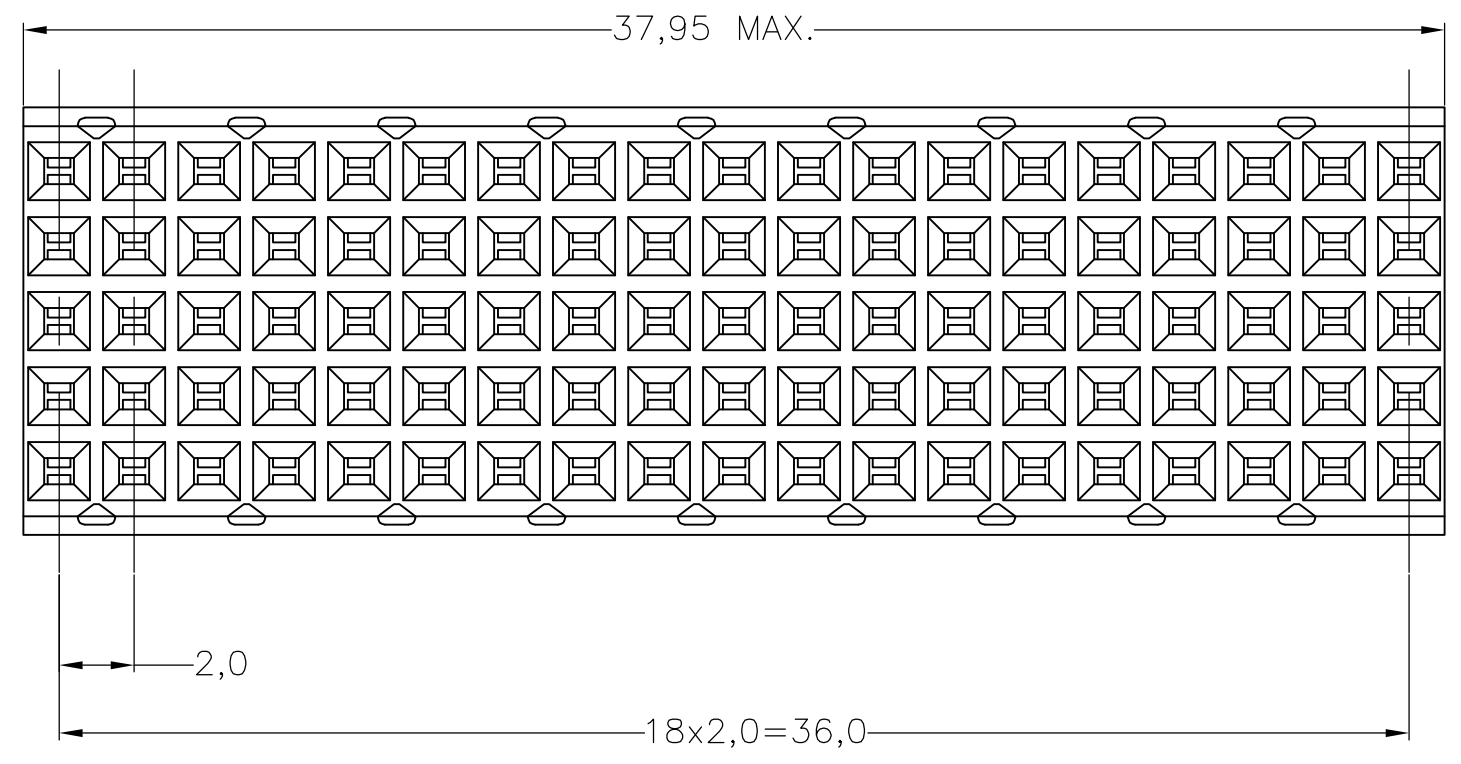
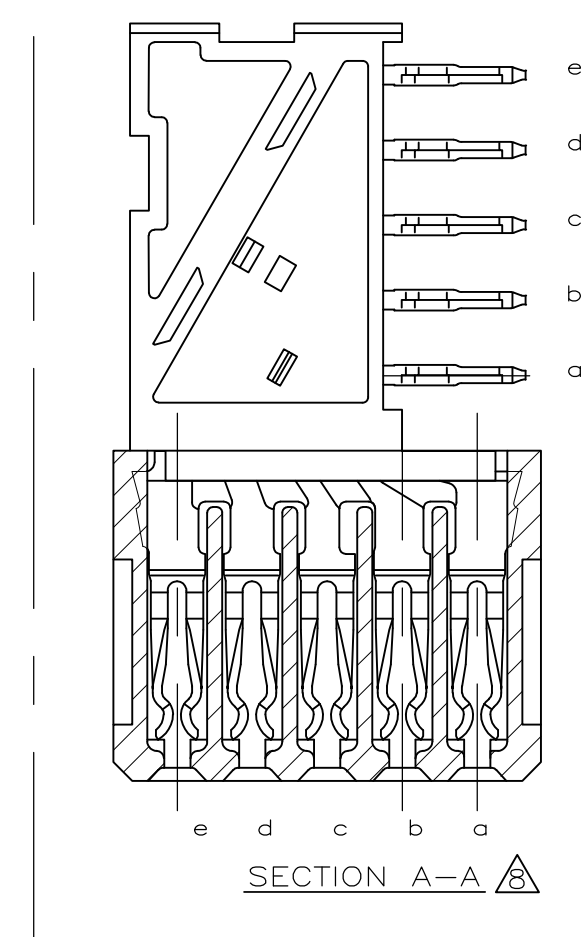
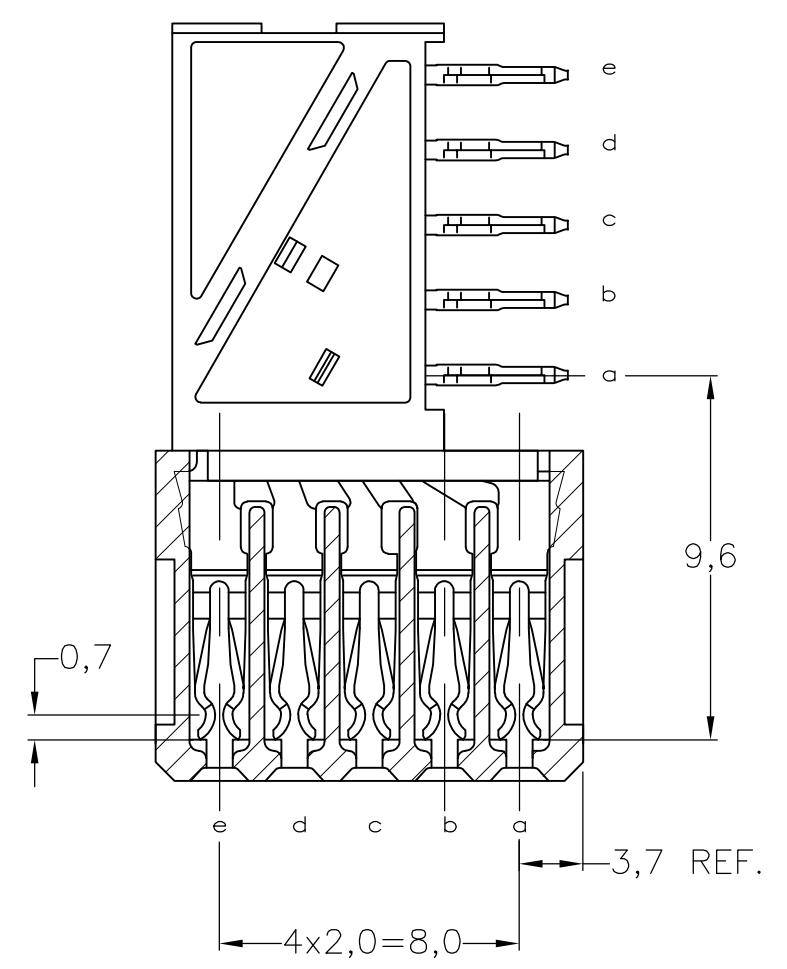
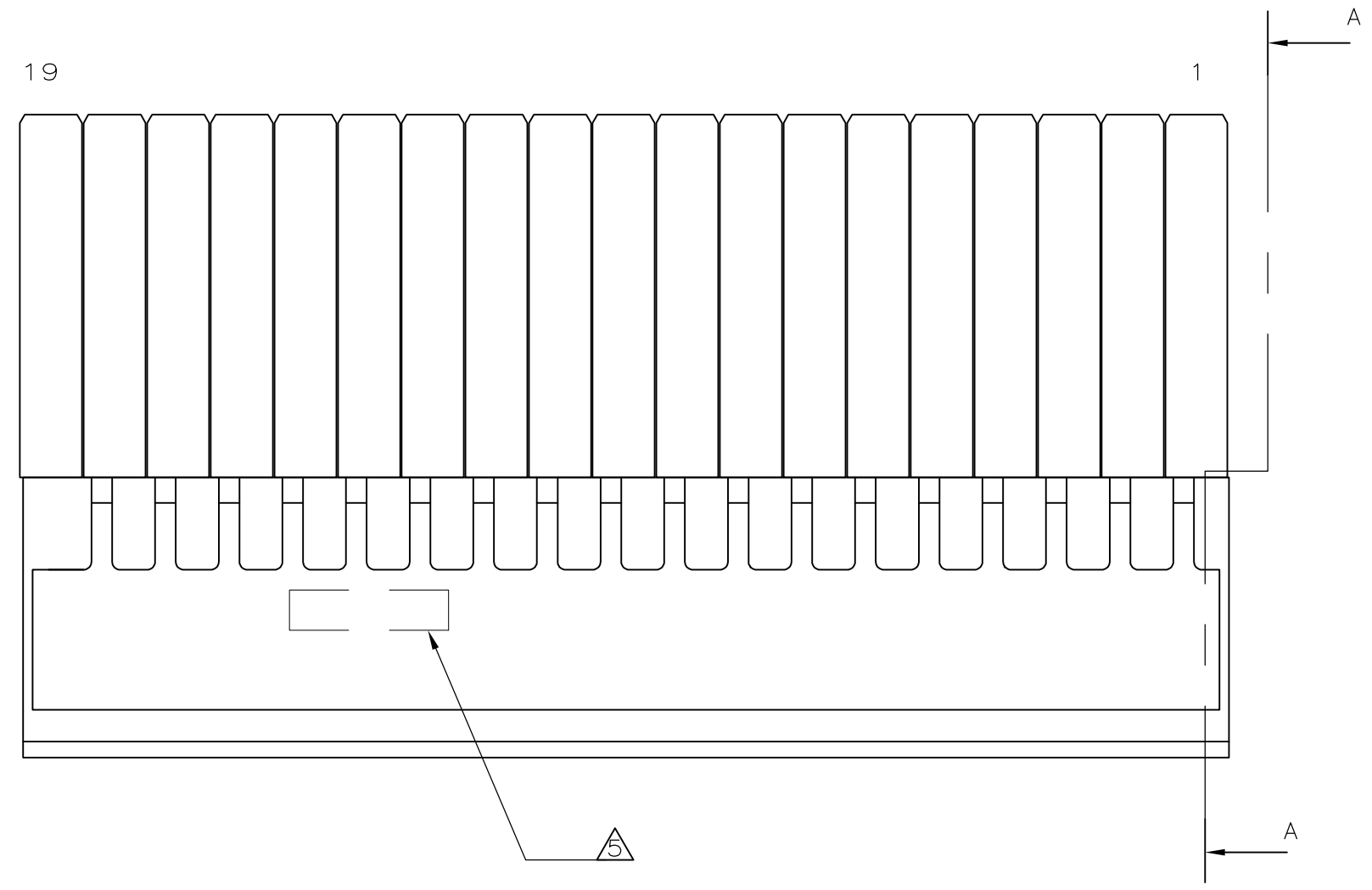


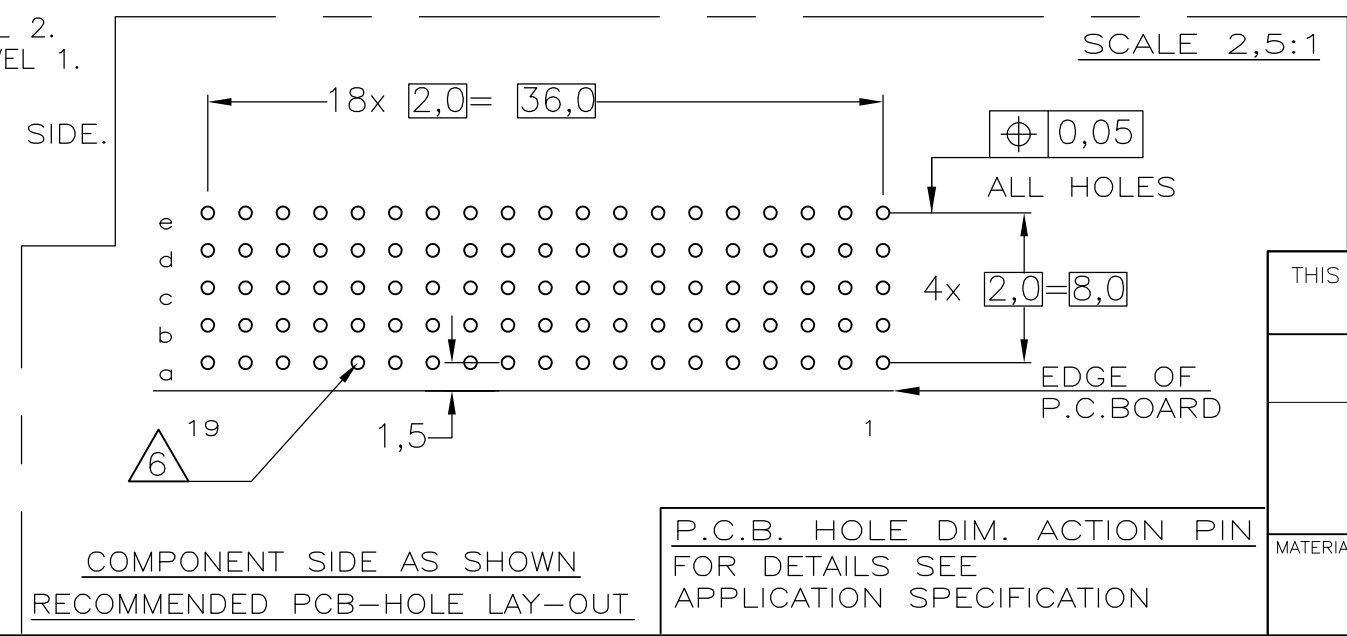
THIS DRAWING IS UNPUBLISHED. RELEASED FOR PUBLICATION  
 © COPYRIGHT - By - ALL RIGHTS RESERVED.

LOC		DIST		REVISIONS			
P	LTR	DESCRIPTION		DATE	DWN	APVD	
H	-	L	REVISED PER ECR-13-000757	18JAN2013	FL	AC	



NOTES:

- 1 MATERIAL CONTACT; PHOSPHORBRONZE  
MATERIAL HOUSING;  
GLASSFILLED POLYESTER UL-RATING 94V0 (GRAY)
- 2 GENERAL PLATING SPECIFICATION: UNDERPLATING (ENTIRE CONTACT): 1,27µm NICKEL MIN.  
AND ACTION PIN: 0,5µm TIN-LEAD MIN.  
FOR PLATING OF MATING SURFACES SEE APPLICABLE SPECIFICATION REFERENCE FOR EACH DASH NUMBER.
- 3 CONFORMS TO ALL TESTING ACCORDING IEC 61076-4-101 PERFORMANCE LEVEL 2.
- 4 CONFORMS TO ALL TESTING ACCORDING IEC 61076-4-101 PERFORMANCE LEVEL 1.
- 5 CONNECTOR PRINTED WITH PARTNUMBER AND DATECODE  
THE MARKING CAN APPEAR ON THE FRONT SIDE OR ON THE BACK SIDE.
- 6 PLATED-THROUGH HOLES AT 2x2mm SQUARE GRID. 95 HOLES
- 7 FITS WITH INTEGRATED GROUND RETURN UPSHIELD,  
BASIC P.N. 352028  
AND INTEGRATED GROUND RETURN LOWERSHIELD,  
BASIC P.N. 352029
- 8 CONNECTOR ASSEMBLED WITH REDESIGNED CONTACTS.  
CONTACTS HAVE A CORING-OUT IN THE PLASTIC.
- 9 0.76µm MIN GOLD PLATING AT MATING SURFACES.
- 10 OBSOLETE PARTS: OBSOLETE CIS STREAMLINING PER  
D.RENAUD/D.SINISI.



THIS DRAWING IS A CONTROLLED DOCUMENT.

DIMENSIONS:	TOLERANCES UNLESS OTHERWISE SPECIFIED:
mm	
	0-PLC ±
	1-PLC ±
	2-PLC ±
	3-PLC ±
	4-PLC ±
	ANGLES ±
MATERIAL	FINISH

DWN	20JAN97	E. MÖHLMANN	NAME	
CHK	20JAN97	W.V.D.HEIJDEN	PRODUCT SPEC	
APVD	-	F.V.KONINGSBRUGGE	APPLICATION SPEC	
108-19082		114-19029		
WEIGHT		-		
CUSTOMER DRAWING		SCALE NTS		
SIZE A2		CAGE CODE 00779		DRAWING NO. C=352009
RESTRICTED TO		-		
SHEET 1 of 1		REV L		