

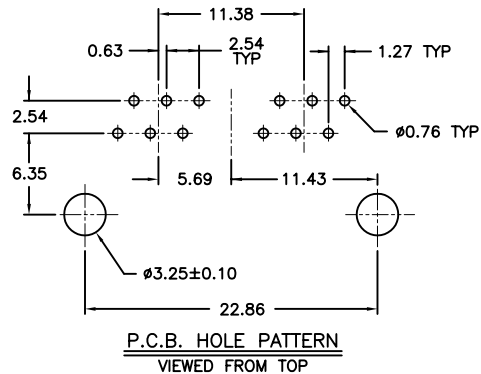
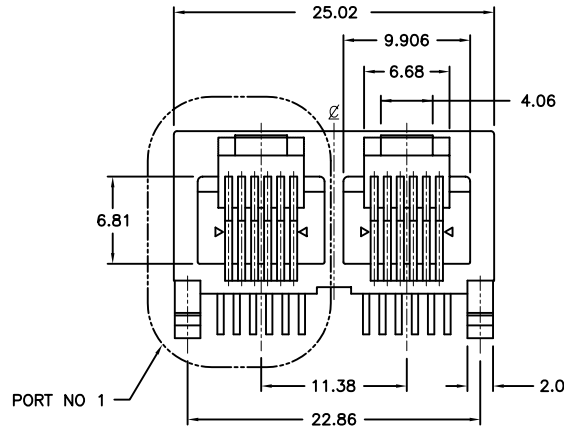
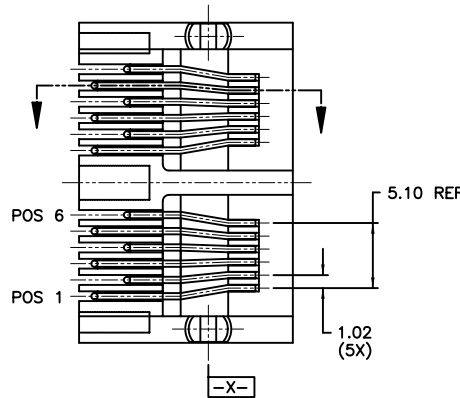
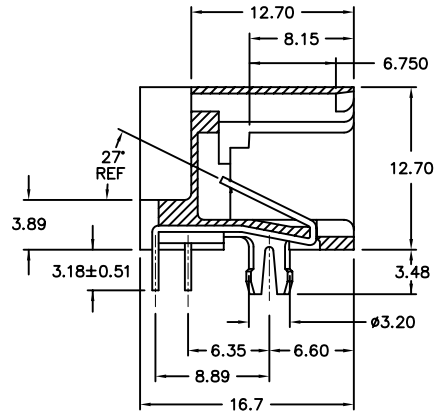
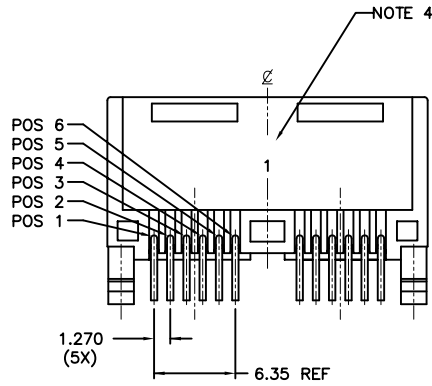
Tous droits strictement reserves. Reproduction ou communication a des tiers interdite sous quelque forme que ce soit sans autorisation écrite du propriétaire. Propriete de c FCI. Droits de reproduction FCI.

FCI

All rights strictly reserved. Reproduction or issue to third parties in any form whatever is not permitted without written authority from the proprietor. Property of FCI. Copyright FCI.

PRODUCT NO. ⑤	POS. LOADED	
	PORT NO. 1 POS.	PORT NO. 2 POS.
94970-001LF	ALL	ALL
94970-002LF	3,4	3,4
94970-003LF	2,3,4,5	2,3,4,5

NOTE: PLEASE CHECK FOR AVAILABILITY, NOT ALL OPTIONS AVAILABLE.



NOTES

- RECOMMENDED P.C.B. THICKNESS 1.60mm.
- HOUSING MAT'L: PCT OR OTHER HI-TEMP PLASTIC EQUIVALENT UL94V-0, COLOR: BLACK.
- CONTACTS: PHOSPHOR BRONZE ALLOY UNS-C51000, 0.46DIA, ROUND WIRE, PLATING 30μ"GXT. (SEE NOTE 8)
- COMPANY LOGO LOCATED IN THIS AREA.
- LF SUFFIX AT THE END OF PART NUMBER FOR LEAD FREE OPTION.
- THE HOUSING WILL WITHSTAND EXPOSURE TO 260°C PEAK TEMPERATURE FOR 15 SECONDS IN A WAVE SOLDER APPLICATION WITH A 1.5mm MINIMUM THICK CIRCUIT BOARD. SEE APPLICATION NOTES/PROCEDURES IF THEY ARE AVAILABLE.
- THIS PRODUCT MEETS EUROPEAN UNION DIRECTIVES AND OTHER COUNTRY REGULATION AS DESCRIBED IN GS-22-008.
- PLATING OPTIONS: MAY BE EITHER GOLD OR GXT PLATED AT MANUFACTURER'S OPTION.

mat'l. code				tolerances unless otherwise specified		CUSTOMER COPY	 www.fciconnect.com
ltr	ecn no	dr	date	linear	.X±.3		
A	T40291	WL	12/9/94		.XX±.13		
B	T50022	CL	1/18/95		.XXX±.051		
C	V71085	GAH	7/28/97	angles	0° ±2°	 MM	R/A RJ11 DUAL PCB MOD JACK ASSY
D	V81240	GAH	6/24/98	dr	CATHY LIN		
E	V12594	LP	3/20/02	engr	TONY CHIEN	9/29/94	code
F	V03-1103	PJ	10/23/03	chr	TONY CHIEN	9/29/94	size
G	M05-0066	MHT	4/15/05	appd	JENN TSAO	9/29/94	dwg no
sheet index	revision sheet	G	1				213
							sheet 1 of 1

cage code 22526