

76_{mm}

San Ace B76



General Specifications

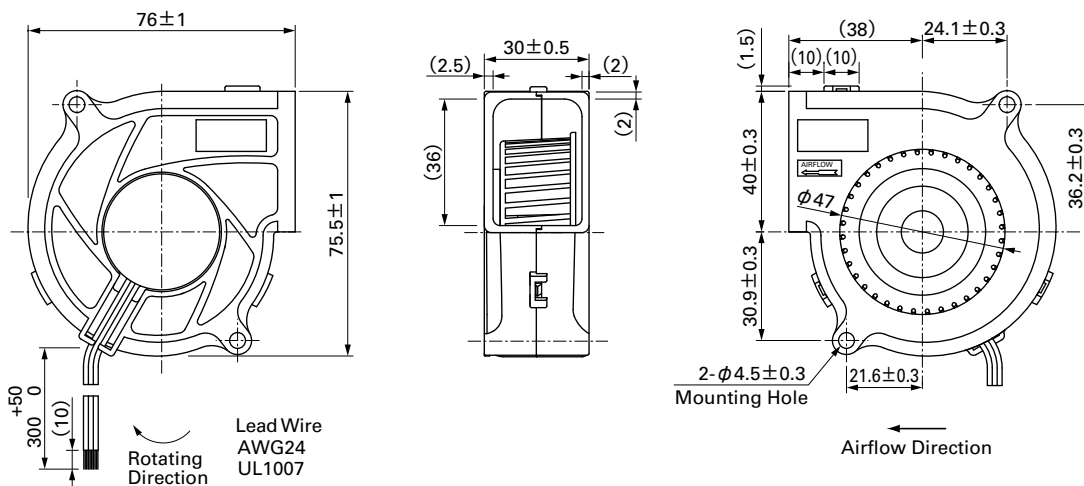
- Material Frame: Plastics (Flammability: UL94V-0),
Impeller: Plastics (Flammability: UL94V-1)
- Expected Life Refer to specifications (L10:Survival rate: 90% at 60°C ,
rated voltage, and continuously run in a free air state)
- Lead Wire ⊕red ⊖black or blue (Sensor) yellow
- Storage Temperature -30°C to +70°C (Non-condensing)

76mm×30mm (Mass : 100g) **9BD type**Specifications The following nos. **have pulse sensors.**

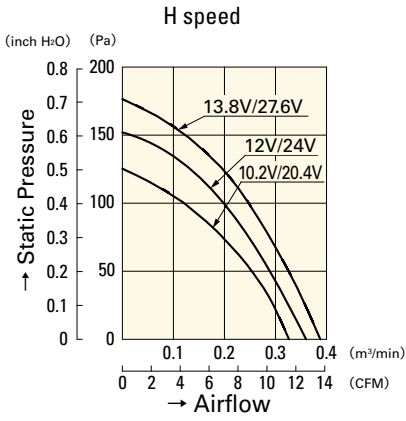
Model No.	Rated Voltage [V]	Operating Voltage Range [V]	Rated Current [A]	Rated Input [W]	Rated Speed [min ⁻¹]	Max. Airflow [m ³ /min] [CFM]	Max. Static Pressure [Pa] [inchH ₂ O]	SPL [dB(A)]	Operating Temperature [°C]	Expected Life [h]
109BD12HC2	12	10.2 to 13.8	0.37	4.44	3,000	0.36 12.7	151.9 0.610	41.5	-20 to +60	40,000/60°C
109BD12FC2			0.27	3.24	2,600	0.31 10.9	98 0.394	37		
109BD12MC2			0.14	1.68	2,100	0.25 8.8	58.8 0.236	32.5		
109BD24HC2	24	20.4 to 27.6	0.17	4.08	3,000	0.36 12.7	151.9 0.610	41.5	-20 to +60	
109BD24FC2			0.14	3.36	2,600	0.31 10.9	98 0.394	37	-20 to +70	
109BD24MC2			0.10	2.40	2,100	0.25 8.8	58.8 0.236	32.5	-20 to +70	

Other sensor specifications are available as options. Please refer to the index (p. 495).

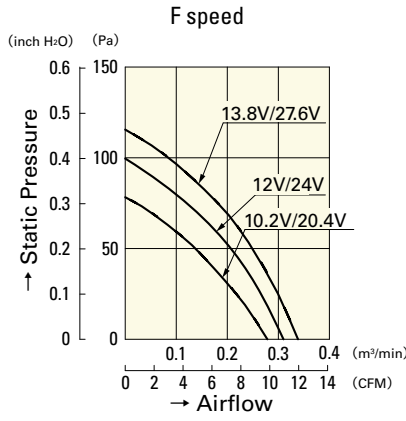
Dimensions (unit: mm)



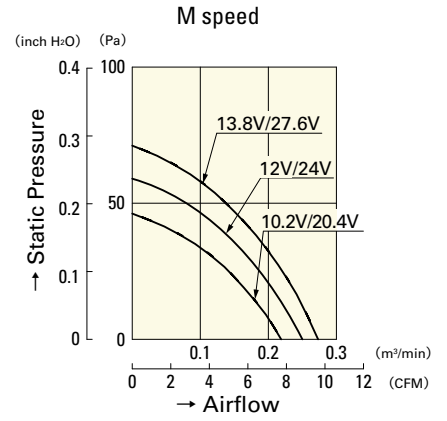
Airflow - Static Pressure Characteristics



109BD12HC2
109BD24HC2



109BD12FC2
109BD24FC2



109BD12MC2
109BD24MC2