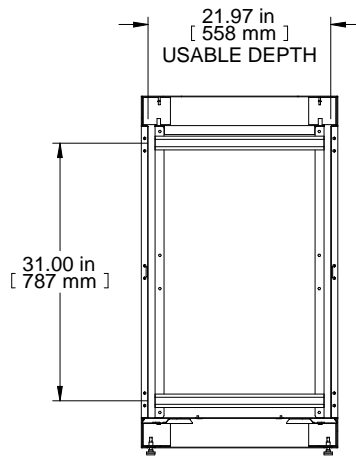
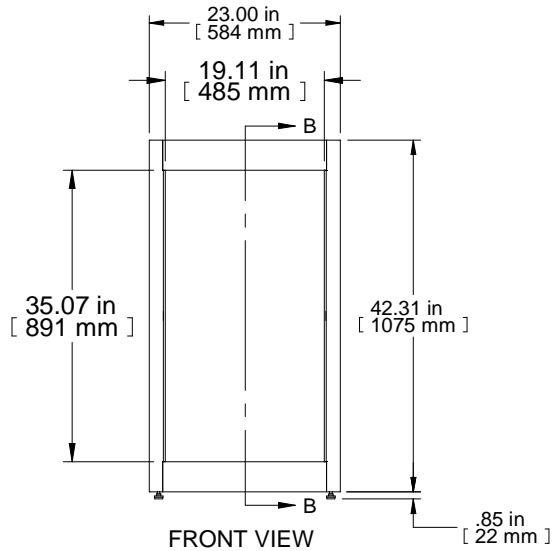


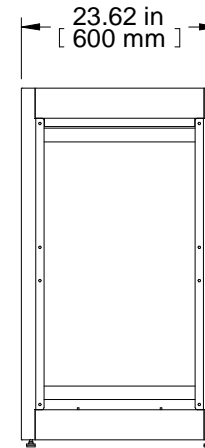
TOP VIEW  
TOP OPENING



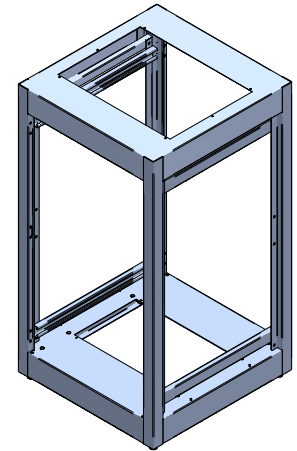
SECTION B-B



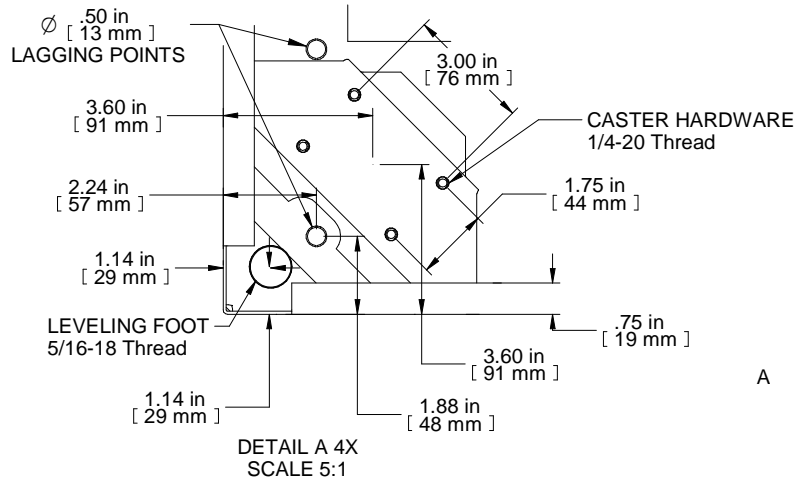
FRONT VIEW



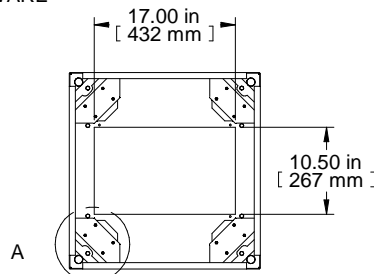
R.S. VIEW



ISOMETRIC



DETAIL A 4X  
SCALE 5:1



BOTTOM VIEW  
BOTTOM OPENING

PART NUMBER.	
C2F193523 BK1	PAINTED BLACK TEXTURE
C2F193523 LG1	PAINTED LIGHT GRAY TEXTURE
NOTES	
- Material 14 GA. Steel Welded Assembly	
- See Hammond Website for Frame Accessories.	
Français	
Pour tous les détails sur nos produits, svp veuillez consulter notre site <a href="http://www.hammondmfg.com">www.hammondmfg.com</a>	
Data subject to change without notice. Isometric drawing not to scale.	
Les données sont sujettes à changement sans préavis.	
	<b>HAMMOND MANUFACTURING.</b> <a href="http://www.hammondmfg.com">www.hammondmfg.com</a>
PART NO. C2F193523	