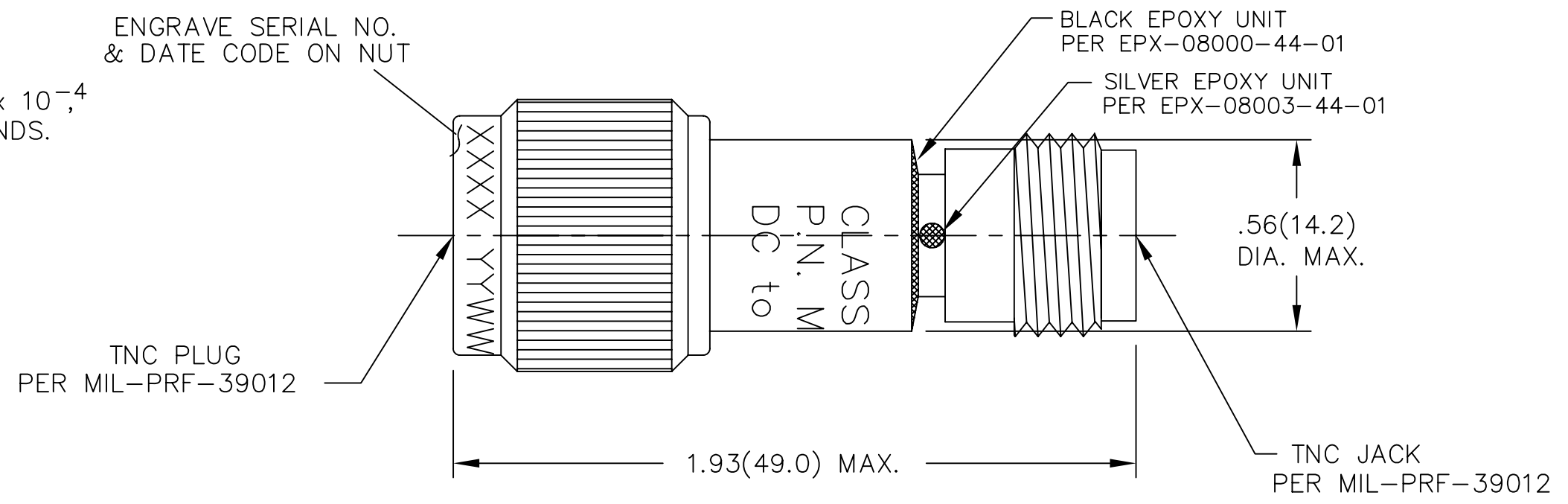


NOTES:  
 1.0 ELECTRICAL SPECIFICATIONS:  
 1.1 FREQUENCY RANGE:  
 M3933/17-01 thru 06: DC to 4.5 GHz  
 M3933/17-07 thru 24: DC to 18.0 GHz  
 1.2 ATTENUATION ACCURACY: SEE TABLE  
 1.3 VSWR (MAX): (BOTH ENDS)  
 M3933/17-01 thru 06: 1.25:1  
 M3933/17-07 thru 24:  
 DC to 4.0 GHz: 1.15:1  
 4.0 to 8.0 GHz: 1.20:1  
 8.0 to 12.4 GHz: 1.25:1  
 12.4 to 18.0 GHz: 1.35:1  
 1.4 INPUT POWER:  
 POWER INPUT IS DERATED LINEARLY TO  
 0.5 WATTS AT +125°C.  
 M3933/17-01 thru 06: 4 WATTS AVG.  
 M3933/17-07 thru 24: 2 WATTS AVG.

-12	4	±0.4
-11	3	±0.4
-10	2	±0.4
-09	1	±0.4
-08	30	±0.9
-07	20	±0.6
-06	6	±0.4
-05	5	±0.4
-04	4	±0.4
-03	3	±0.4
-02	2	±0.4
-01	1	±0.3
M3933/17-XX MODEL NO.	(dB) ATTEN.	ATTEN. ACCURACY

-22	40	±1.0
-21	35	±0.9
-20	25	±0.8
-19	15	±0.5
-18	12	±0.5
-17	10	±0.5
-16	8	±0.5
-15	7	±0.5
-14	6	±0.4
-13	5	±0.4
M3933/17-XX MODEL NO.	(dB) ATTEN.	ATTEN. ACCURACY

1.5 PEAK POWER: 0.2 KILOWATTS  
 PEAK POWER FOR A DUTY CYCLE OF  $5 \times 10^{-4}$ ,  
 MAX. PULSE DURATAION OF 5 MICRSECONDS.  
 2.0 MARKING: MARK UNIT AS SHOWN  
 (REF.: INK-09208-27-XX)  
 3.0 DIMENSIONS IN PARENTHESIS ARE IN  
 MILLIMETERS.  
 4.0 TESTING:  
 SCREENED PER ATP-07839-60-01  
 NON-SCREEN PER ATP-09210-60-01



DATE	2/3/95	5/4/95	1/15/04	3/10/06
DESCRIPTION	RELEASED	ECN 14461	ECN 19574	ECN 20764
REV.	A	B	C	

5.0 BAG MARKING:  
 MODEL M3933/17-XX (N or S)  
 ATTENUATOR FIXED COAXIAL LINE  
 YY WATTS AVERAGE INPUT POWER  
 FREQ. RANGE: DC-ZZ GHz  
 MFR 34078  
 LOT NO. \_\_\_\_\_  
 DATE CODE: [YYWW]  
 YEAR & WEEK  
 SEE TABLE (pointing to table above)  
 SEE MODEL NO. FOR LAST 3 DIGITS  
 SEE TABLE (pointing to table above)

UNLESS OTHERWISE NOTED DIMENSIONS ARE IN INCHES AND TOLERANCES ARE:  
 3 PLACE DECIMALS ±.005  
 2 PLACE DECIMALS ±.02  
 FRACTIONS ±1/64  
 PARALLELITY: T.I.R. \_\_\_\_\_  
 FLATNESS: T.I.R. \_\_\_\_\_  
 CONCENTRICITY: T.I.R. \_\_\_\_\_  
 ANGLES AND PERPENDICULARITY: ±1'

FSCM NO. 34078 **MIDWEST MICROWAVE**

NOTICE: The information contained in this drawing is proprietary and must not be used without the permission of Midwest Microwave

TITLE: ATTENUATOR

DRAWING NUMBER: M3933/17-XX(N or S)

SCALE: 3=1 SHEET 1 of 1

DRAWN/DATE: A.BEATTY 1/27/95  
 ENG./DATE: G.KOZAK 2/3/95  
 CHECKED/DATE: M.HOLLMAN 2/3/95  
 APPROVED/DATE: \_\_\_\_\_