


**MSTBO 2,5/ 3-G1R KMGY**

Order No.: 2853763

<http://eshop.phoenixcontact.de/phoenix/treeViewClick.do?UID=2853763>

Header, Nominal current: 12 A, Rated voltage (III/2): 320 V, Number of positions: 3, Pitch: 5 mm, Color: gray, Metal surface: Sn, Assembly: Soldering

Commercial data	
GTIN (EAN)	 4 017918 450113
sales group	F057
Pack	50 pcs.
Customs tariff	85366990
Catalog page information	Page 257 (CC-2009)

## Product notes

WEEE/RoHS-compliant since:  
01/01/2003



<http://www.download.phoenixcontact.com>  
Please note that the data given here has been taken from the online catalog. For comprehensive information and data, please refer to the user documentation. The General Terms and Conditions of Use apply to Internet downloads.

## Technical data

## Dimensions / positions

Pitch	5 mm
Dimension a	10 mm
Number of positions	3
Pin dimensions	1 x 1 mm

Pin spacing	5.00 mm
Hole diameter	1.4 mm

#### Technical data

Range of articles	MSTBO 2,5/..-G1R
Insulating material group	I
Rated surge voltage (III/3)	4 kV
Rated surge voltage (III/2)	4 kV
Rated surge voltage (II/2)	4 kV
Rated voltage (III/2)	320 V
Rated voltage (II/2)	400 V
Connection in acc. with standard	EN-VDE
Nominal current $I_N$	12 A
Nominal voltage $U_N$	250 V
Maximum load current	12 A
Insulating material	PA
Inflammability class acc. to UL 94	V0
Nominal voltage, UL/CUL Use Group B	300 V
Nominal current, UL/CUL Use Group B	12 A
Nominal voltage, UL/CUL Use Group D	300 V
Nominal current, UL/CUL Use Group D	10 A

#### Certificates / Approvals



Certification

CB, CSA, CUL, UL, VDE-PZI

#### Accessories

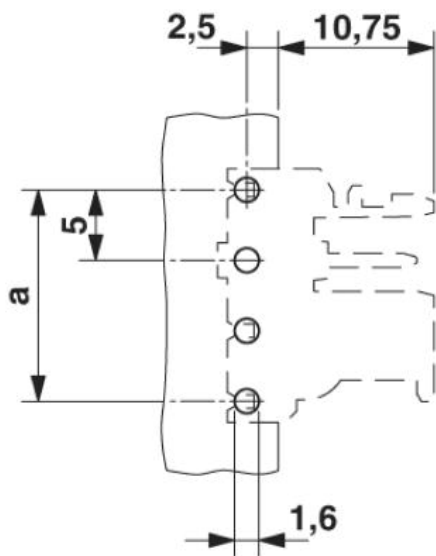
Item	Designation	Description
<b>Assembly</b>		
1759981	MSTB-BF	Mounting flange, for fixing both ends of the header onto the PCB, green insulating material, with M 2 x 14 screws and nuts.
1755477	MSTB-BL	Keying cap, for forming sections, plugs onto header pin, green insulating material

**General**

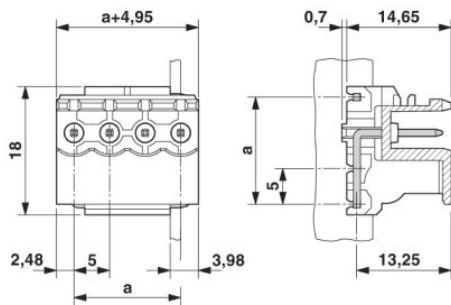
2199618	CR MSTBO-G1	Coding section
---------	-------------	----------------

**Diagrams/Drawings**

Drilling plan/solder pad geometry

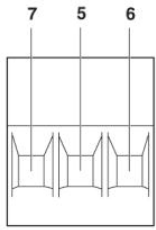


Dimensioned drawing

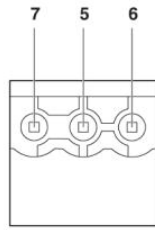


Schematic diagram

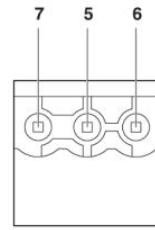
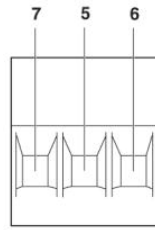
---



Pin assignment right



Pin assignment right



**Address**

PHOENIX CONTACT Deutschland GmbH  
Flachmarktstr. 8  
32825 Blomberg, Germany  
Phone +49 5235 3 12000  
Fax +49 5235 3 41200  
<http://www.phoenixcontact.de>



© 2010 Phoenix Contact  
Technical modifications reserved;