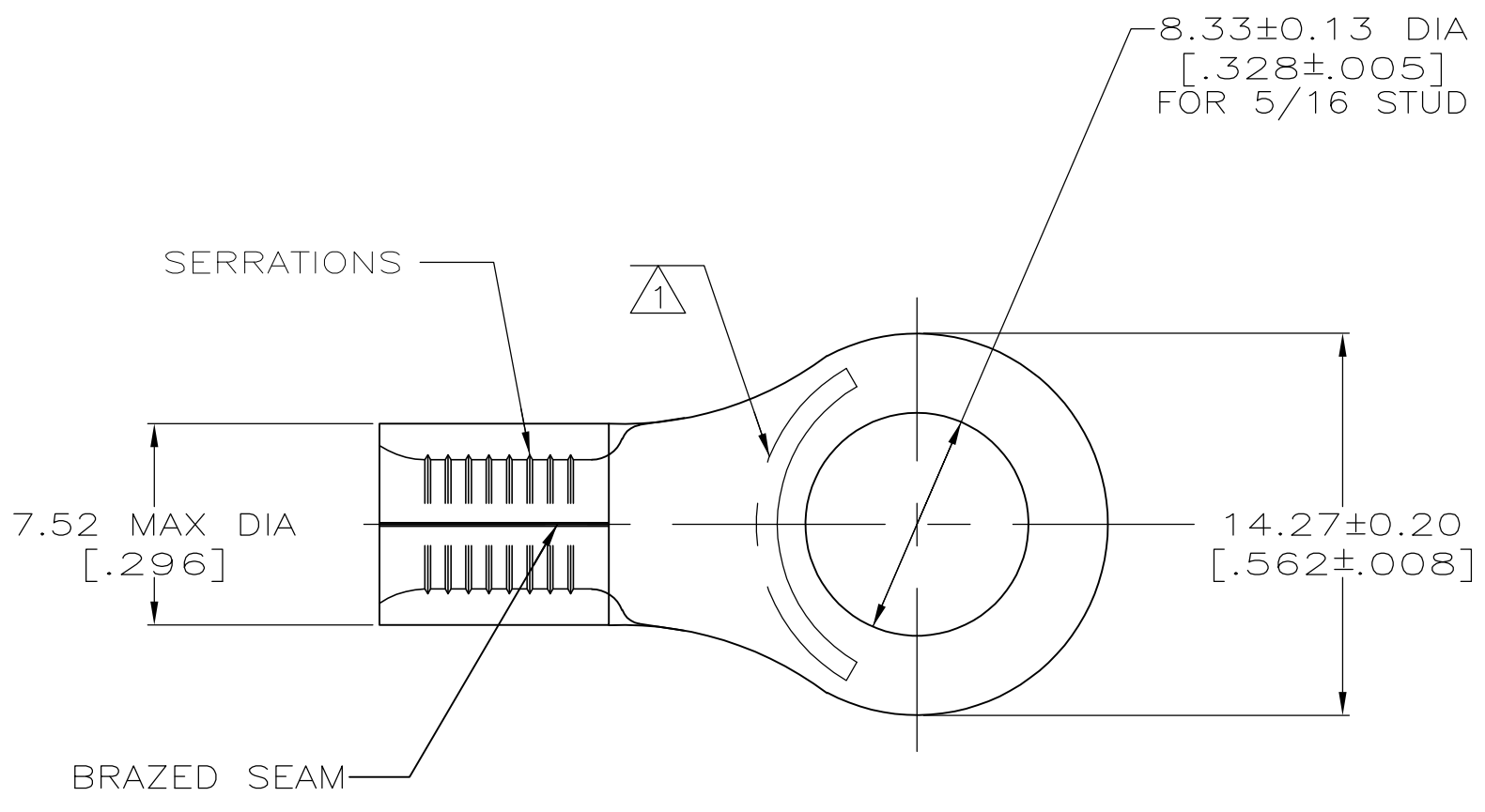


THIS DRAWING IS UNPUBLISHED. RELEASED FOR PUBLICATION  
 © COPYRIGHT - By - ALL RIGHTS RESERVED.

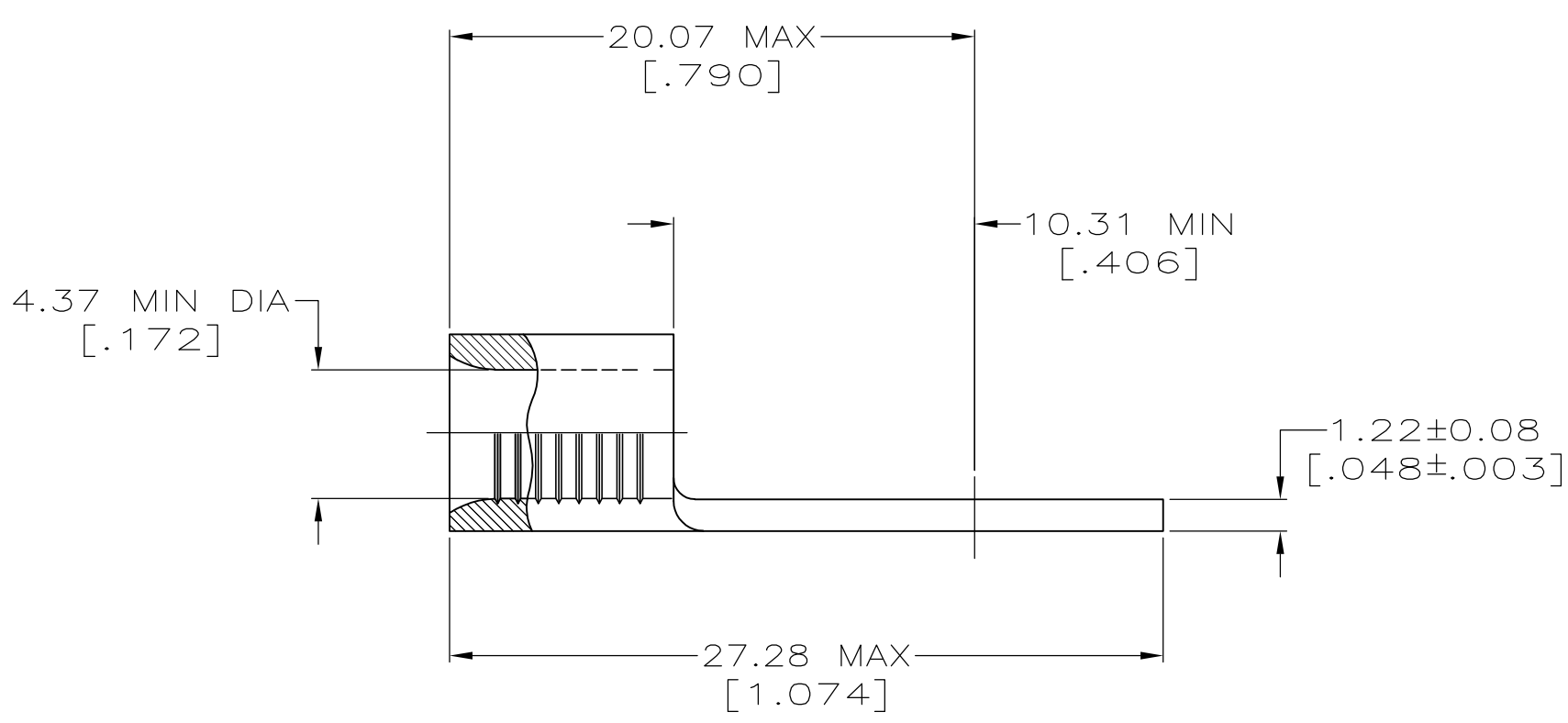
LOC	DIST	REVISIONS			
P	LTR	DESCRIPTION	DATE	OWN	APVD
G	14	C2	REVISED PER ECO-11-005027	11MAR11	RK HMR



**AMP**  
WIRE RANGE

8 AWG  
SOLID OR STRANDED

- 1 STAMP AMP 8\* APPROX AS SHOWN
- 2 COPPER PER ASTM B-152, ANNEALED
- 3 NICKEL PLATE 0.00762 [.000300] MIN THK PER QQ-N-290



323167  
PART NO.

MAX RECOMMENDED OPERATING TEMPERATURE: 34.3°C MAX	THIS DRAWING IS A CONTROLLED DOCUMENT.		DWN TA BRINKMAN 4-19-93	TE Connectivity
	VOLTAGE RATING: N/A	DIMENSIONS: mm[INCHES]	CHK DA PATTERSON 4-19-93	
CIRCULAR MIL AREA: 6.64-10.5mm²[13,100-20,800] SOLID OR STRANDED		TOLERANCES UNLESS OTHERWISE SPECIFIED: 0 PLC ± - 1 PLC ± - 2 PLC ± - 3 PLC ± - 4 PLC ± - ANGLES ± ± - FINISH	APVD JL MECKLEY 4-19-93	PRODUCT SPEC - APPLICATION SPEC - WEIGHT -
	MATERIAL - 2			SIZE CAGE CODE DRAWING NO A2 00779 G-323167 RESTRICTED TO -
			CUSTOMER DRAWING	SCALE 4:1 SHEET 1 OF 1 REV C2