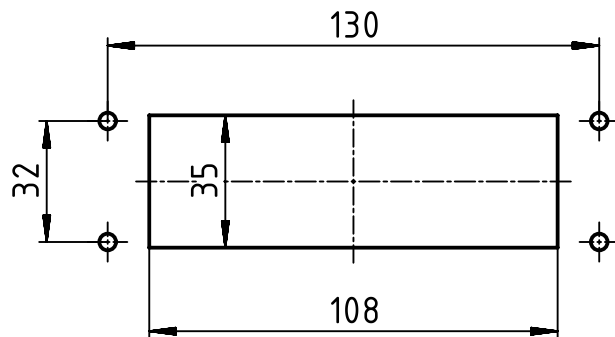





(1:2) panel cut out



	 All Dimensions in mm Original Size DIN A4	Scale 1:1	Free size tol.		Ref.	
	 All rights reserved Department EL PD - DE	Created by PRIESTER	Inspected by SCHNIEDER	Standardisation TIEMANNA	Date 2014-03-18	State Final Release
HARTING Electric GmbH & Co. KG D-32339 Espelkamp		Title Han B Base Panel 2 Levers			Doc-Key / ECM-Nr. 100199035/UGD/007/A 500000072647	
		Type TB	Number 09 30 024 0301		Rev. A	Page 1/1