

10120132 - X0E - XXXLF

LEAD-FREE DESIGNATION ONLY WITH APPLICABLE PLATING CODES

8-COLUMN DIFFERENTIAL SIGNAL

LETTER	PLATING (SEE NOTE 6)	
	APPLICATION	TYPE (REFERENCE)
B	TELCORDIA CO	0.76µm GOLD or GXT
C	TELCORDIA UE	1.27µm GOLD
D	TELCORDIA CO	0.76µm GOLD or GXT, LEAD-FREE
E	TELCORDIA UE	1.27µm GOLD, LEAD-FREE

NUMBER	GUIDE PIN STYLE (SEE NOTE 8)
0	STANDARD GUIDE PIN, MACHINED
1	STANDARD GUIDE PIN, ROLLED

MODULE DESCRIPTION	LETTER DESIGNATION REPRESENTED IN DASH NUMBER										BASE MODULE
LEFT POLARIZING GUIDANCE MODULE (SEE SHEET 6)	N	J	A	B	C	D	E	F	G	H	
	NO KEY NO GUIDE PIN										
RIGHT POLARIZING GUIDANCE MODULE (SEE SHEET 7)	Z	Y	P	Q	R	S	T	U	V	W	
	NO KEY NO GUIDE PIN										
OPEN MODULE (TWO WALL) (SEE SHEET 2)	0 (ZERO)										
LEFT WALL MODULE (SEE SHEET 3)	L										
RIGHT WALL MODULE (SEE SHEET 4)	M										
FOUR WALL MODULE (SEE SHEET 5)	I (ONE)										

NUMBER	CONTACT MATING WIPE LENGTH		COMPLIANT TAIL TYPE (SEE NOTE 9)
	SIGNAL	GROUND	
1	2 MM	4 MM	0.55 (0.0217" DRILL)
2	3 MM	4 MM	0.55 (0.0217" DRILL)
3	2 MM	4 MM	0.45 MICRO (0.0177" DRILL)
4	3 MM	4 MM	0.45 MICRO (0.0177" DRILL)
5	2 MM	3 MM	0.55 (0.0217" DRILL)
6	3 MM	3 MM	0.55 (0.0217" DRILL)
7	2 MM	3 MM	0.45 MICRO (0.0177" DRILL)
8	3 MM	3 MM	0.45 MICRO (0.0177" DRILL)

FOR CUSTOM-LOADED MODULES, SEE INDIVIDUAL CUSTOM DRAWINGS WITH THE DRAWING-NUMBER FORMAT OF 10120132-XXXX, WHERE: "X" DENOTES MODULE TYPE PER CHART ON THIS SHEET "YYYY" IS A SEQUENTIAL NUMBER BEGINNING WITH "0001".

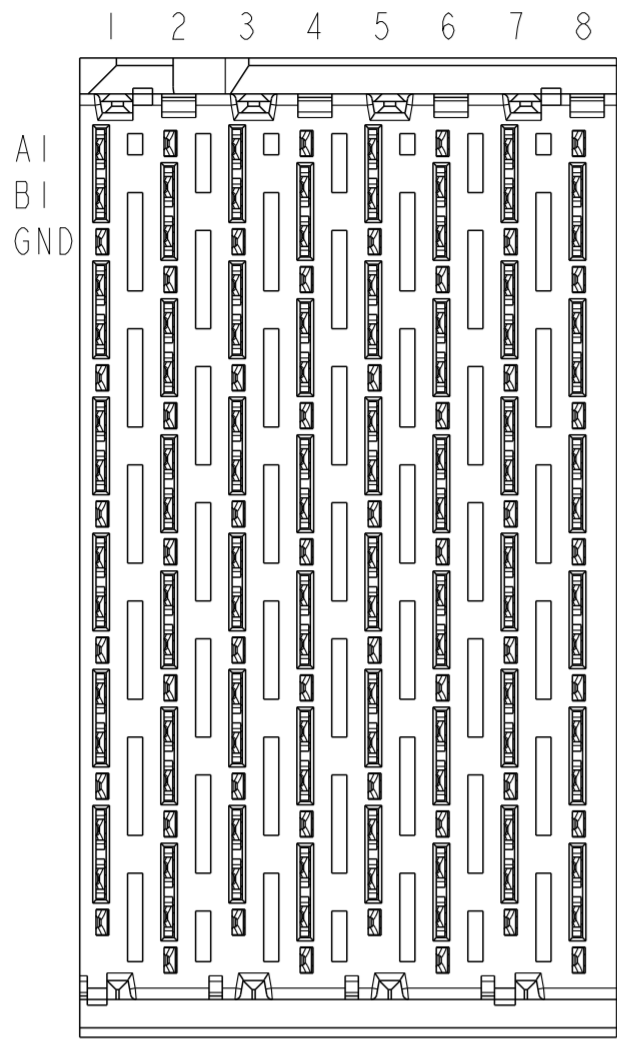
	UNGROUND	GROUND
FHS	∅2.35-∅2.55	∅2.35-∅2.55
PAD	N/A	∅5.50
PLATED	NO	YES
DRILL(mm)	2.44mm	2.58mm
DRILL(in)	0.096"	0.1015"

SCREW P/N	DESCRIPTION	BOARD THICKNESS
10091790-002LF	#2-56 X 0.375" LG. PHILIPS PANHEAD W/SQ CONICAL WASHER	1.60-5.00mm
10091790-003LF	#2-56 X 0.375" LG. PHILIPS PANHEAD W/SQ CONICAL WASHER	5.00-10.00mm

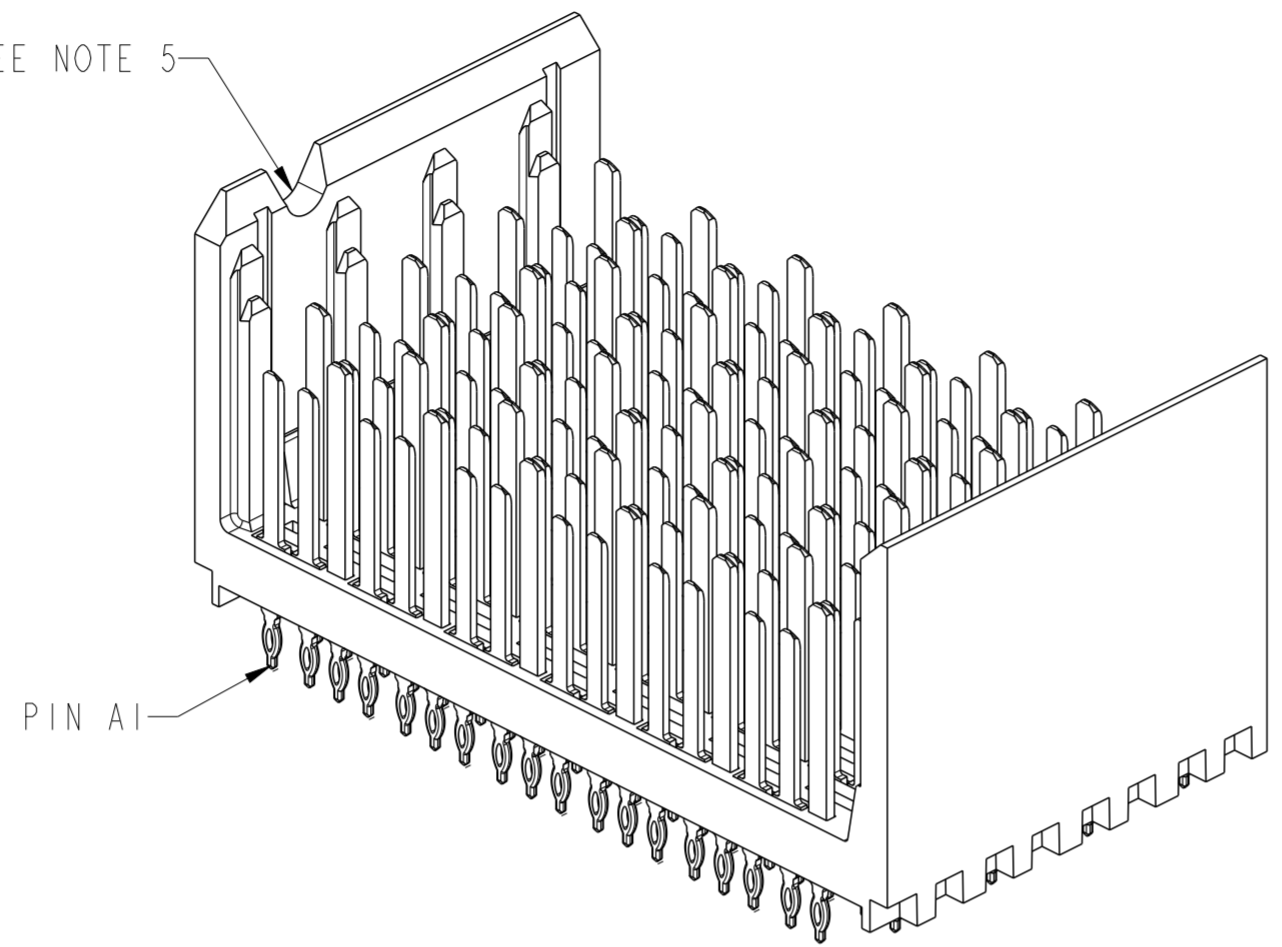
spec ref	-	dr	Yong-Keat Lim	2012/02/23	projection	MM	size	A2	scale	2:1
tolerance std	ASME Y14.5	eng	Sandar Soe	2016/03/08	chr	-	ecn no	ELX-S-17624-1	rel level	Released
surface	linear	app'r	Chen-Hong Tan	2016/03/17	product family	XCEDE HD	cat. no.	10120132	rev	C
ASME Y14.5	angular	0°	±2°	0.X ±0.3	0.XX ±0.10	0.XXX ±0.05	www.fci.com	Product - Customer Drw	sheet 1 of 8	

Amphenol FCI

© 2016 AFci

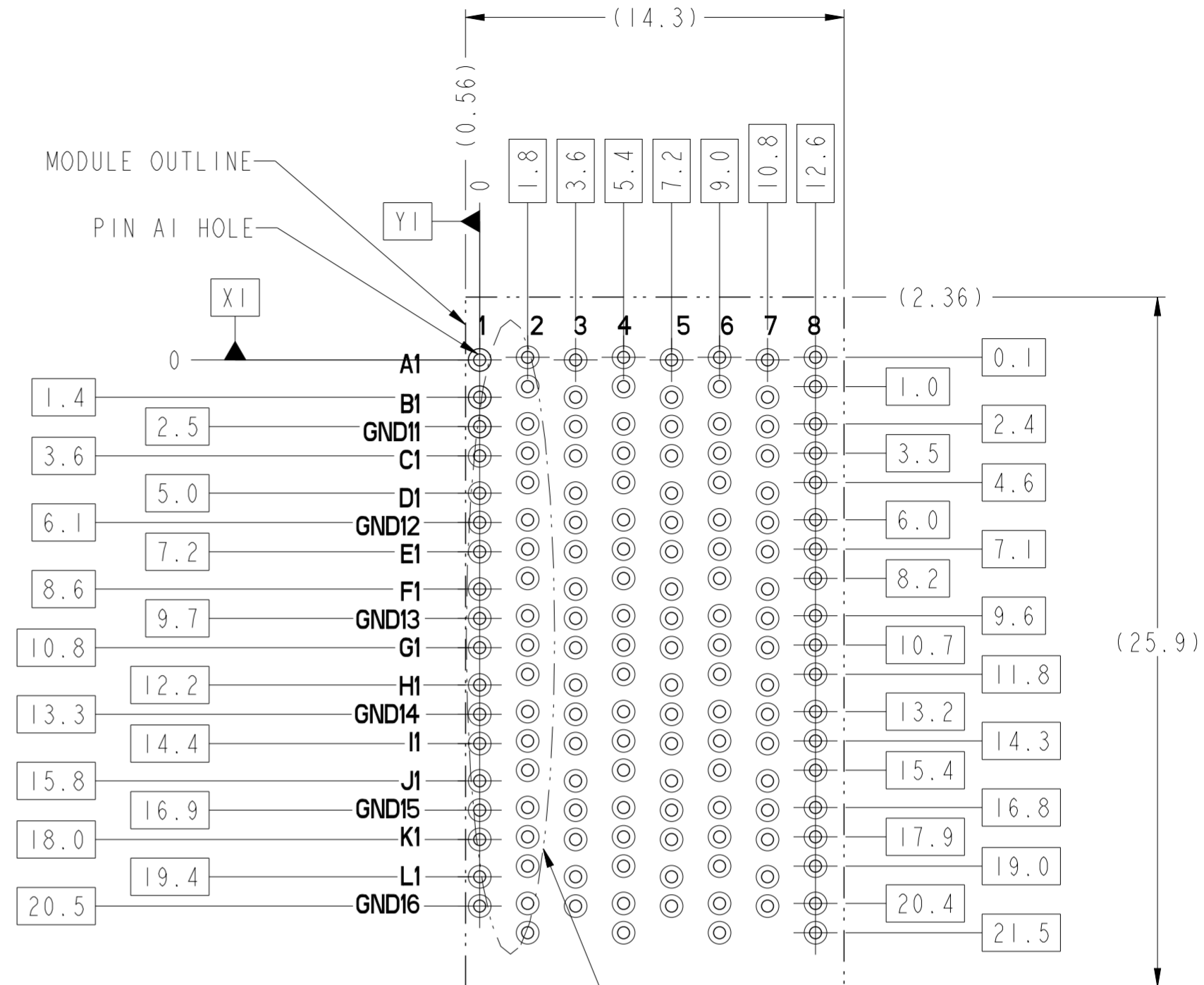


SEE NOTE 5



PIN AI

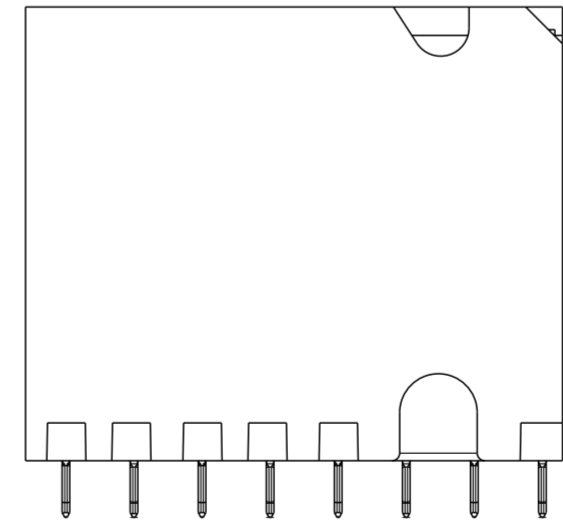
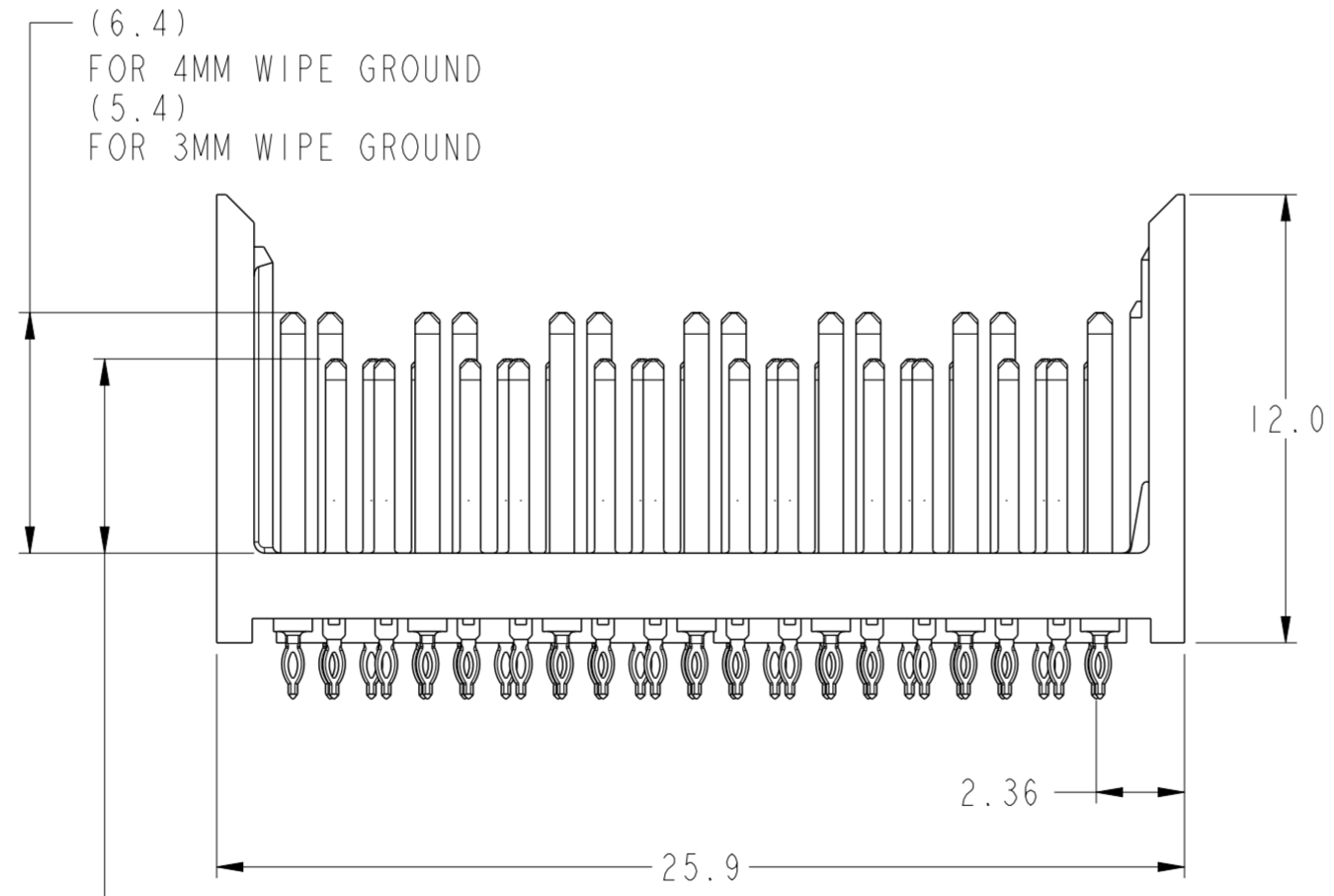
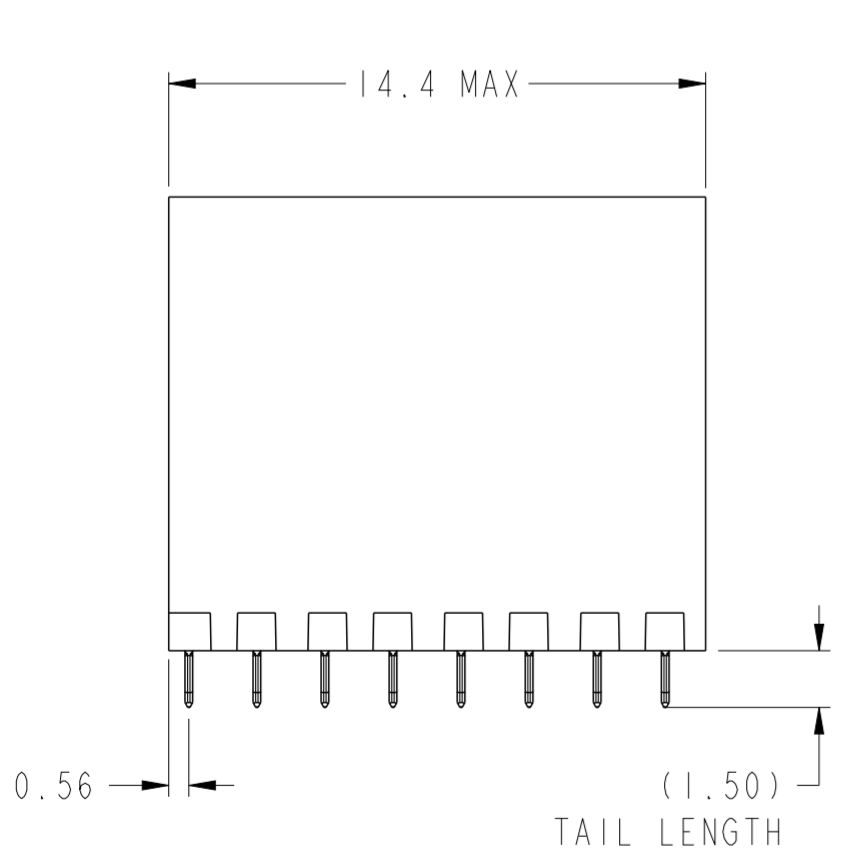
**OPEN WALL MODULE**



SEE DETAIL A ON SHEET 8 FOR PINOUT DETAILS

BP HOLE PATTERN COMPONENT SIDE

**OPEN WALL MODULE BACKPLANE FOOTPRINT**



Amphenol FCI

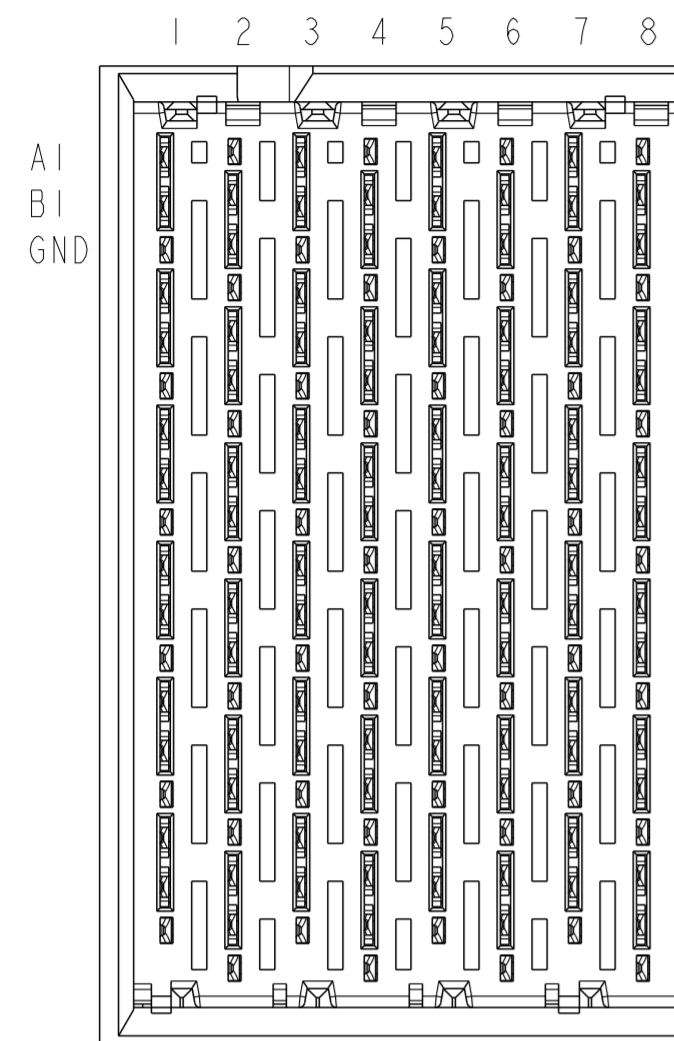
© 2016 AFCI

spec ref	-	dr	Yong-Keat Lim	2012/02/23	projection	MM	size	A2	scale	5:1										
tolerance std	ASME Y14.5	eng	Sandar Soe	2016/03/08			ecn no	ELX-S-17624-1	rel level	Released										
TOLERANCES UNLESS OTHERWISE SPECIFIED		chr	-	product family			XCEDE HD	rel level		Released										
surface	<table border="1"> <tr> <td>linear</td> <td>0.X</td> <td>±0.3</td> </tr> <tr> <td></td> <td>0.XX</td> <td>±0.10</td> </tr> <tr> <td></td> <td>0.XXX</td> <td>±0.05</td> </tr> <tr> <td>angular</td> <td>0°</td> <td>±2°</td> </tr> </table>	linear	0.X	±0.3		0.XX	±0.10		0.XXX	±0.05	angular	0°	±2°	apppr	Chen-Hong Tan	2016/03/17	product family	XCEDE HD	rel level	Released
linear	0.X	±0.3																		
	0.XX	±0.10																		
	0.XXX	±0.05																		
angular	0°	±2°																		
<table border="1"> <tr> <td>Amphenol FCI</td> <td>VERTICAL HEADER ASSEMBLY</td> <td>dwg no</td> <td>10120132</td> <td>rev</td> <td>C</td> </tr> <tr> <td>www.fci.com</td> <td>XCEDE HD 6 PAIR, 8 COLUMN</td> <td>cat. no.</td> <td>-</td> <td>Product - Customer Drw</td> <td>sheet 2 of 8</td> </tr> </table>		Amphenol FCI	VERTICAL HEADER ASSEMBLY	dwg no	10120132	rev	C	www.fci.com	XCEDE HD 6 PAIR, 8 COLUMN	cat. no.	-	Product - Customer Drw	sheet 2 of 8							
Amphenol FCI	VERTICAL HEADER ASSEMBLY	dwg no	10120132	rev	C															
www.fci.com	XCEDE HD 6 PAIR, 8 COLUMN	cat. no.	-	Product - Customer Drw	sheet 2 of 8															

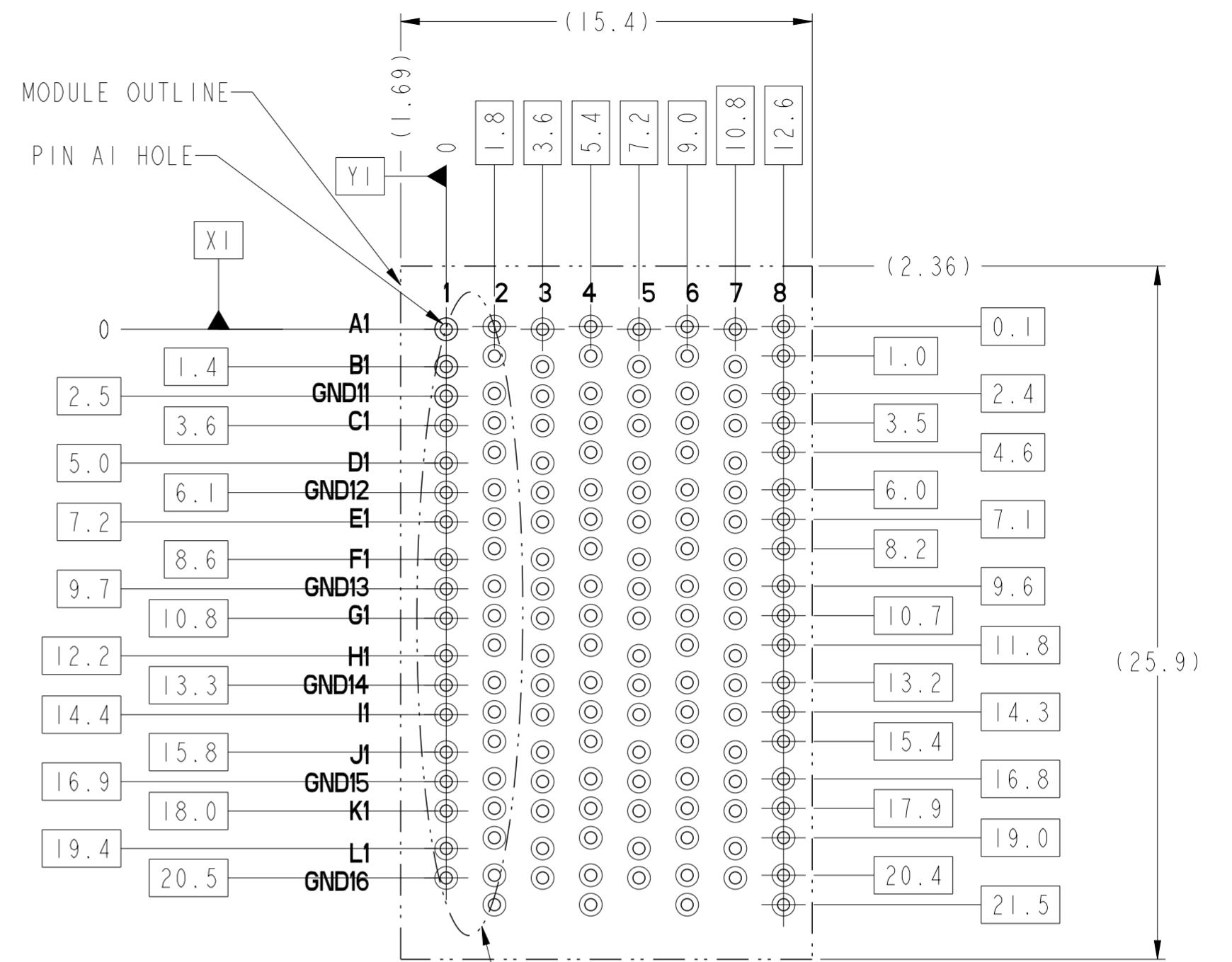
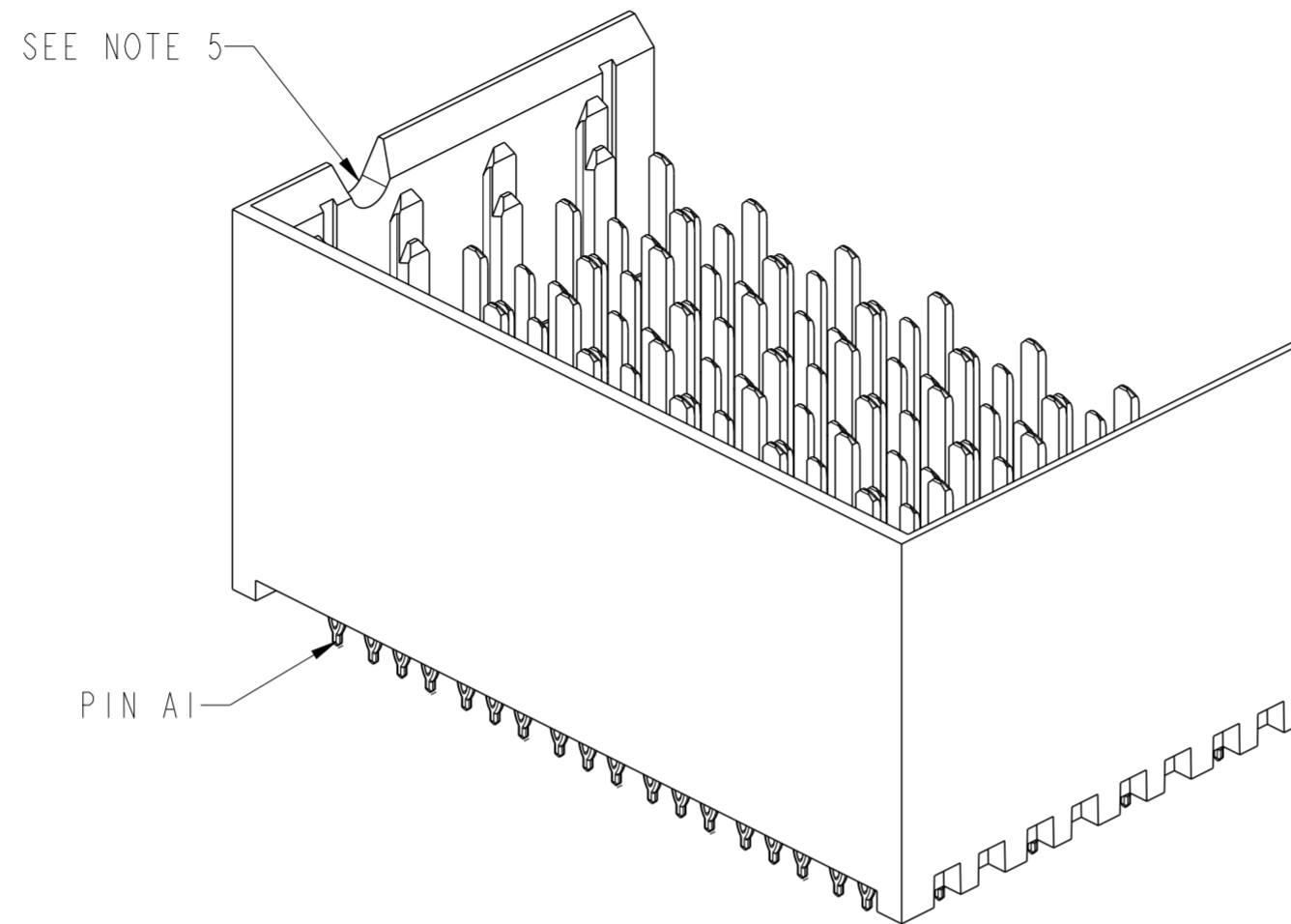
PDS: Rev :C

STATUS:Released

Printed: Mar 17, 2016



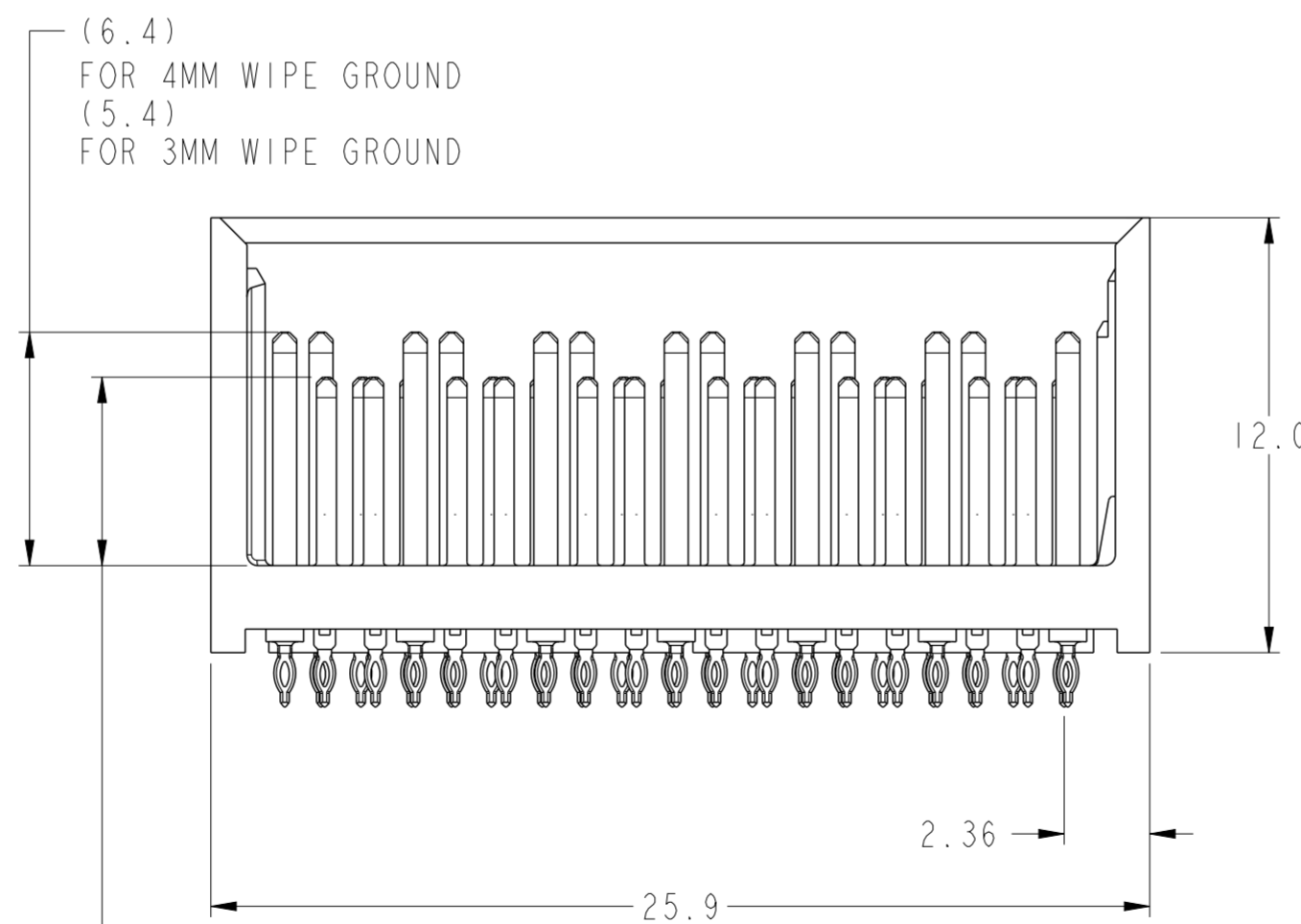
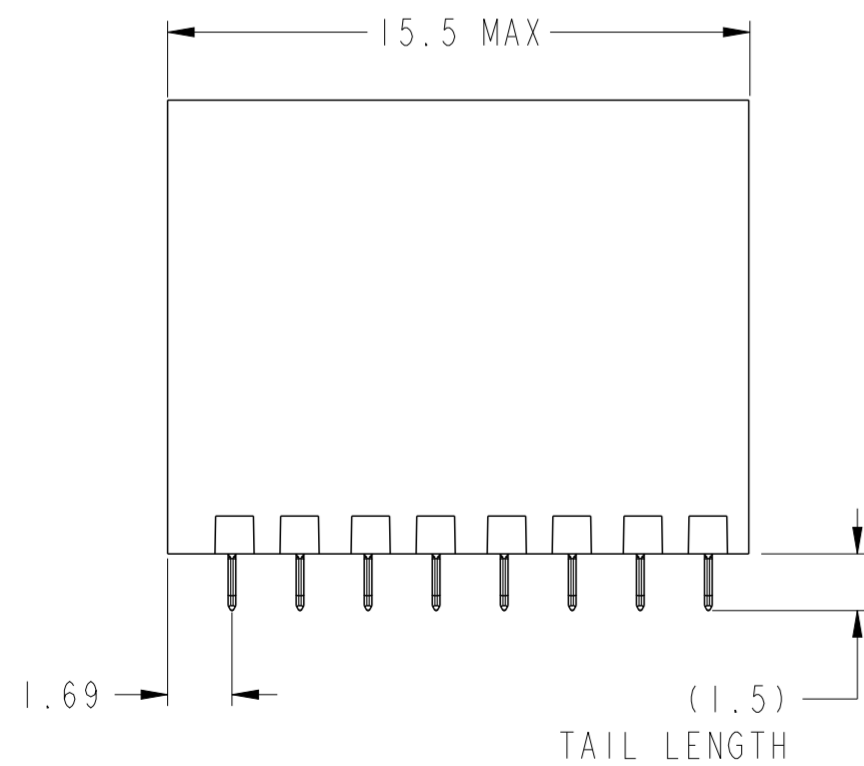
LEFT WALL MODULE



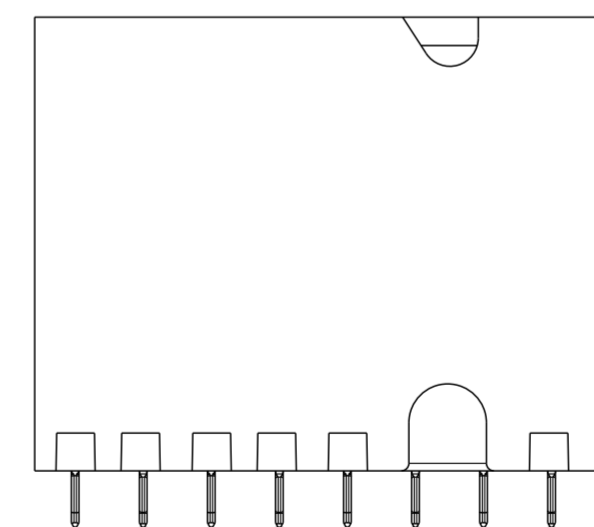
SEE DETAIL A  
ON SHEET 8 FOR PINOUT DETAILS

BP HOLE PATTERN COMPONENT SIDE

LEFT WALL MODULE BACKPLANE FOOTPRINT

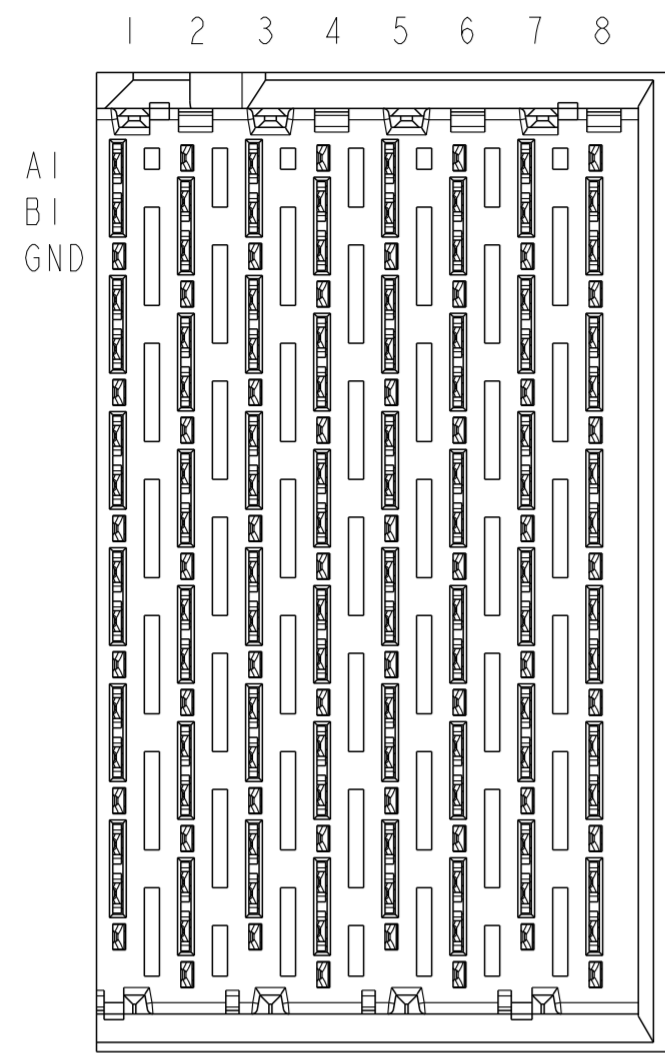


(5.2) FOR 3MM WIPE SIGNAL  $\triangle$   
(4.2) FOR 2MM WIPE SIGNAL  $\triangle$

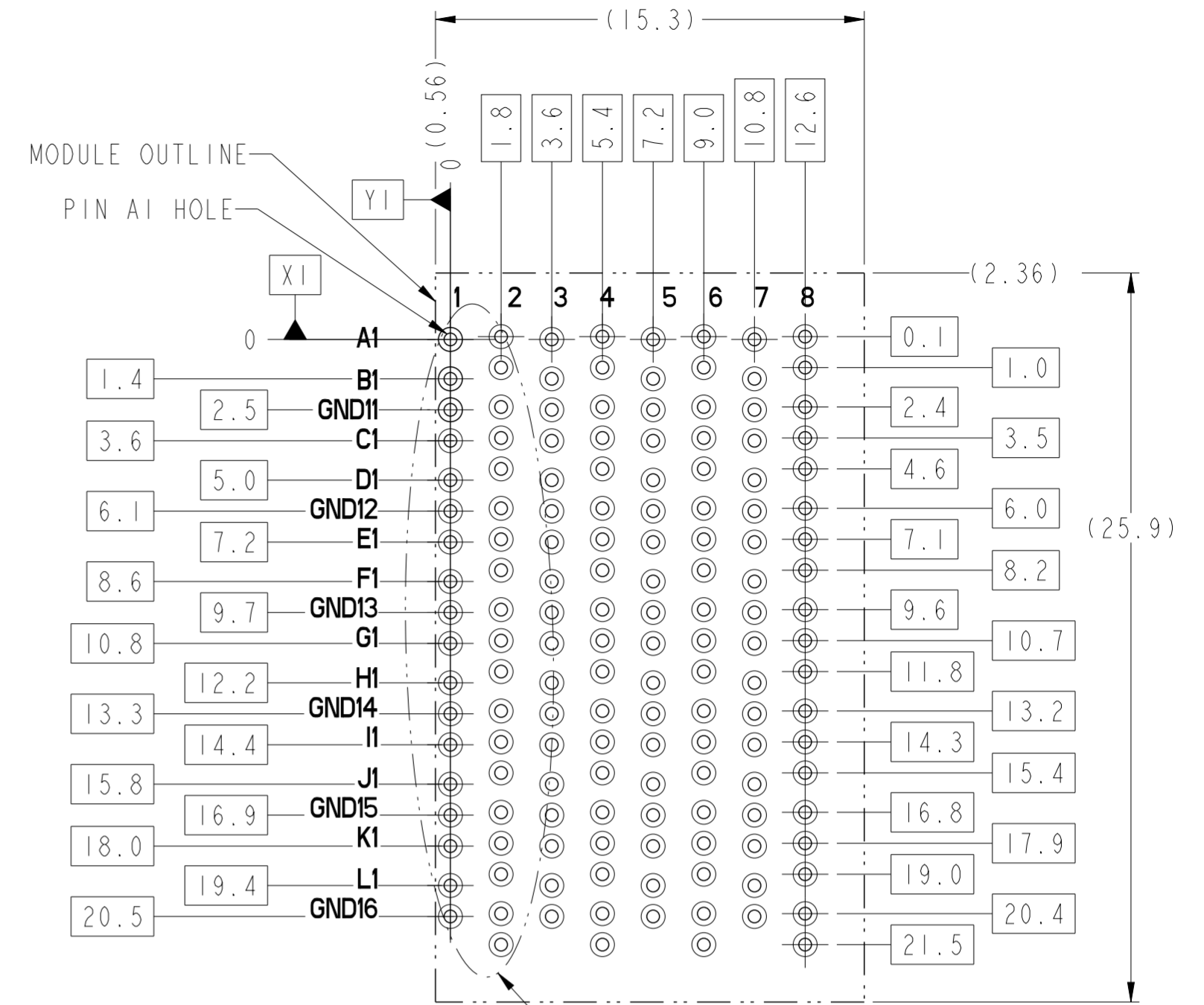
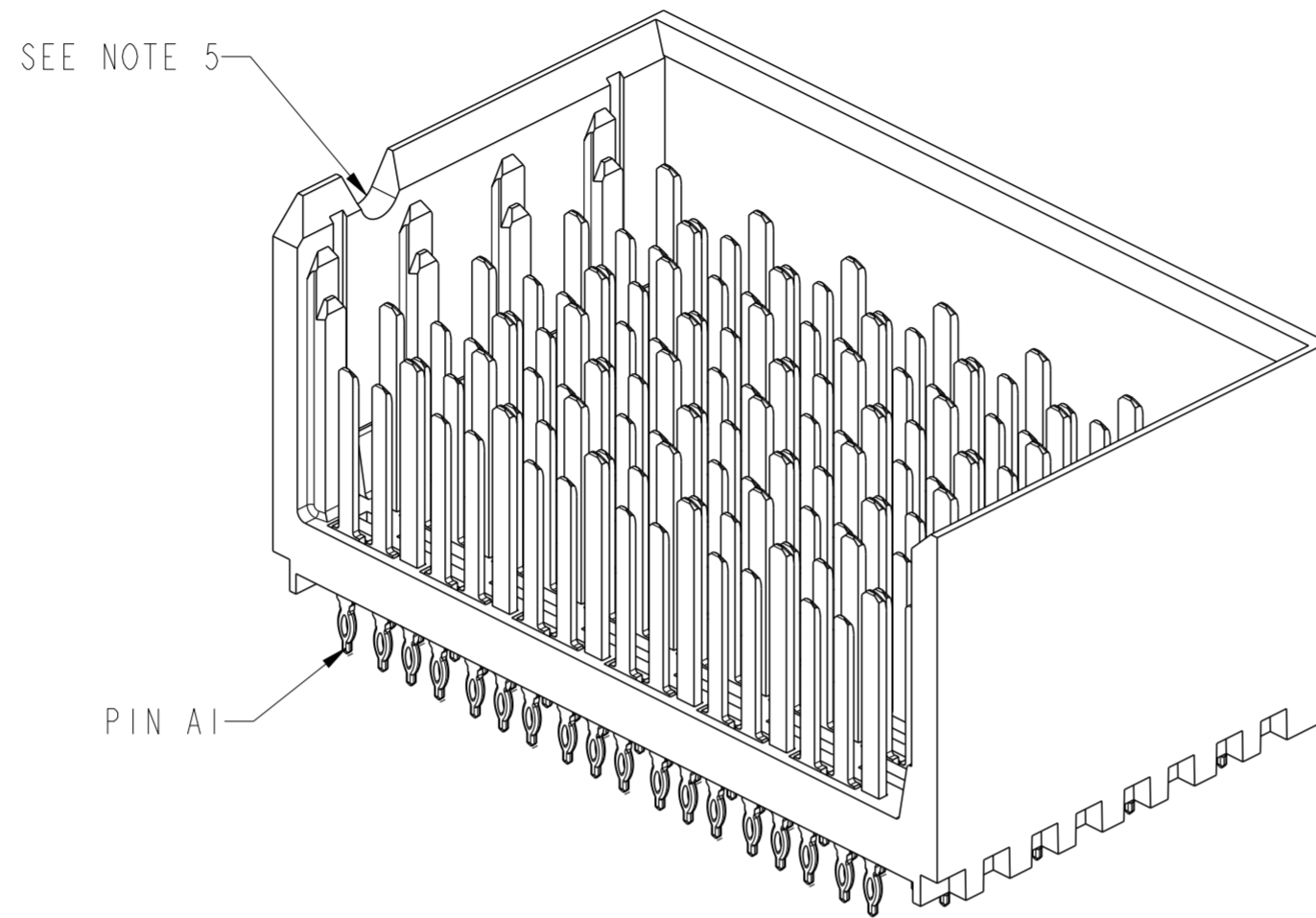


spec ref	-	dr	Yong-Keat Lim	2012/02/23	projection	MM	size	A2	scale	5:1
tolerance std	ASME Y14.5	eng	Sandar Soe	2016/03/08	chr	-	ecn no	ELX-S-17624-1	rel level	Released
surface	ASME Y14.5	appr	Chen-Hong Tan	2016/03/17	product family	XCEDE HD	rel level	Released	cat. no.	Product - Customer Drw
linear	0.X ±0.3 0.XX ±0.10 0.XXX ±0.05	angular	0° ±2°	<b>Amphenol FCI</b> VERTICAL HEADER ASSEMBLY XCEDE HD 6 PAIR, 8 COLUMN www.fci.com		title 10120132 rev C	sheet 3 of 8			





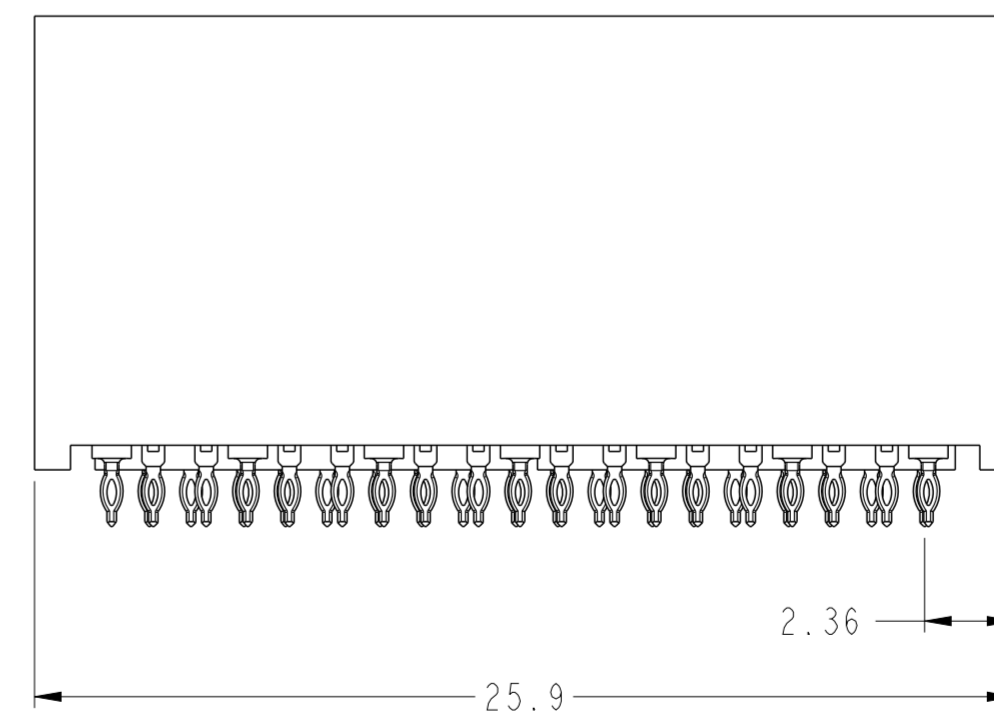
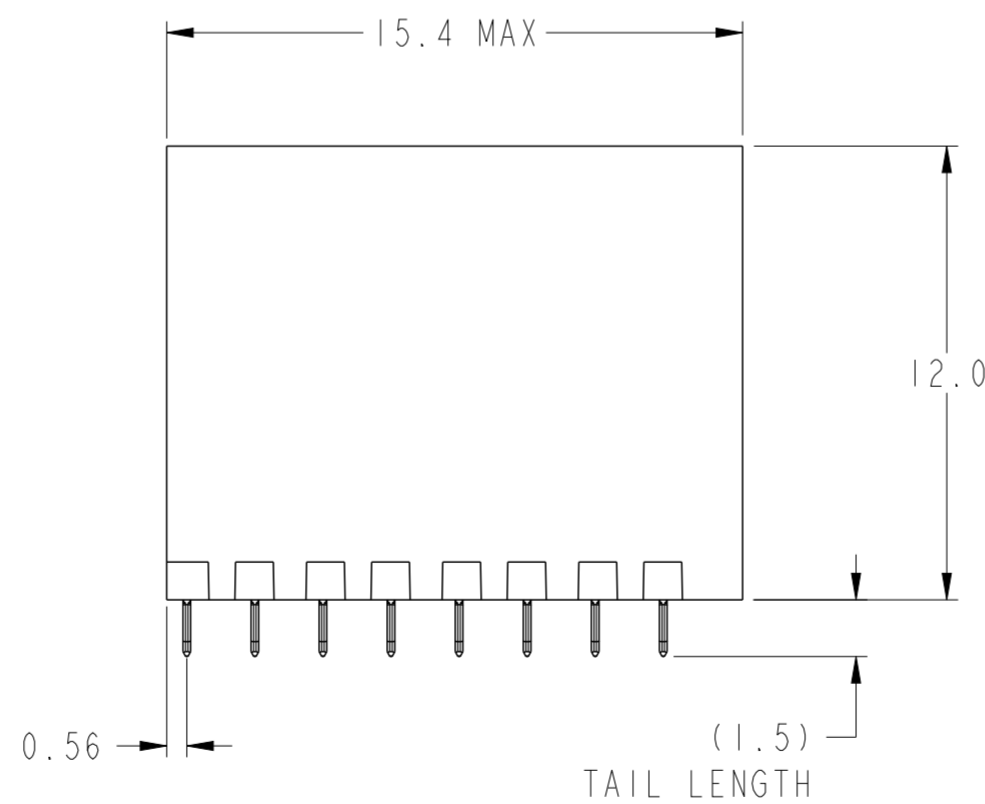
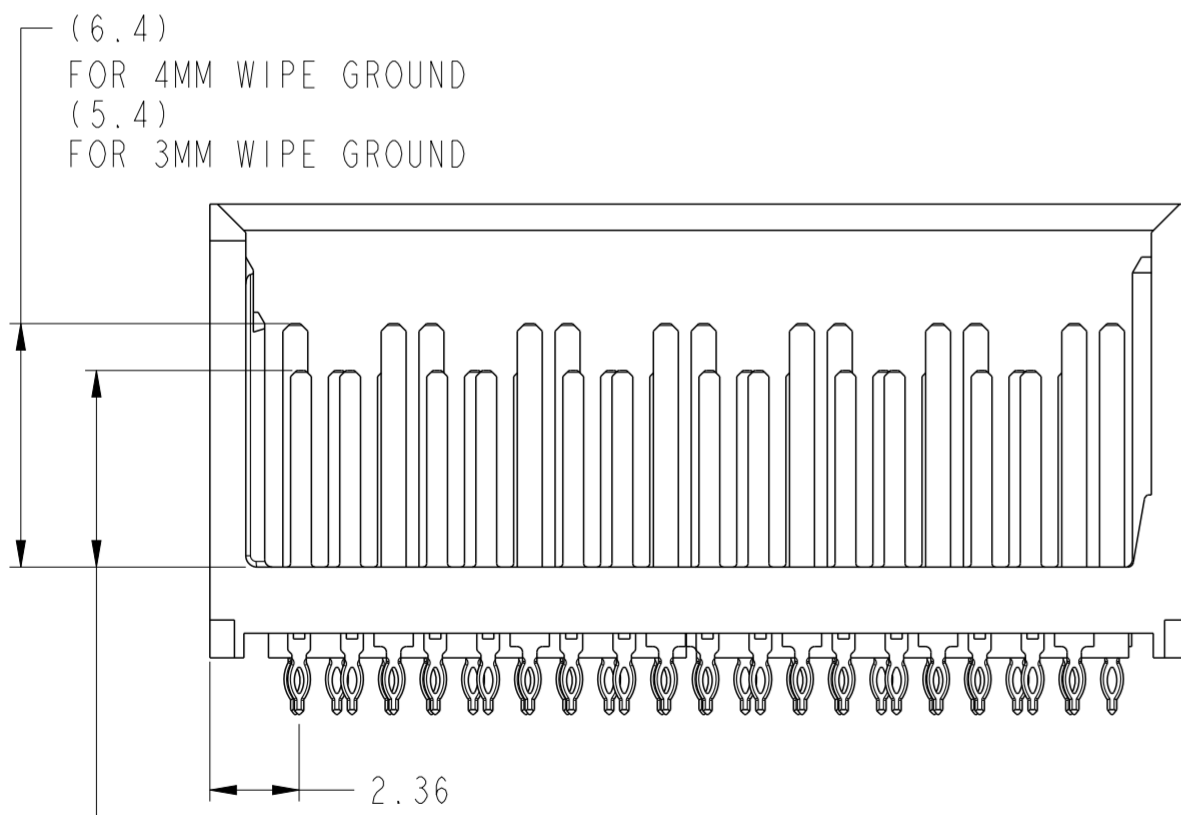
RIGHT WALL MODULE



SEE DETAIL A  
ON SHEET 8 FOR PINOUT DETAILS

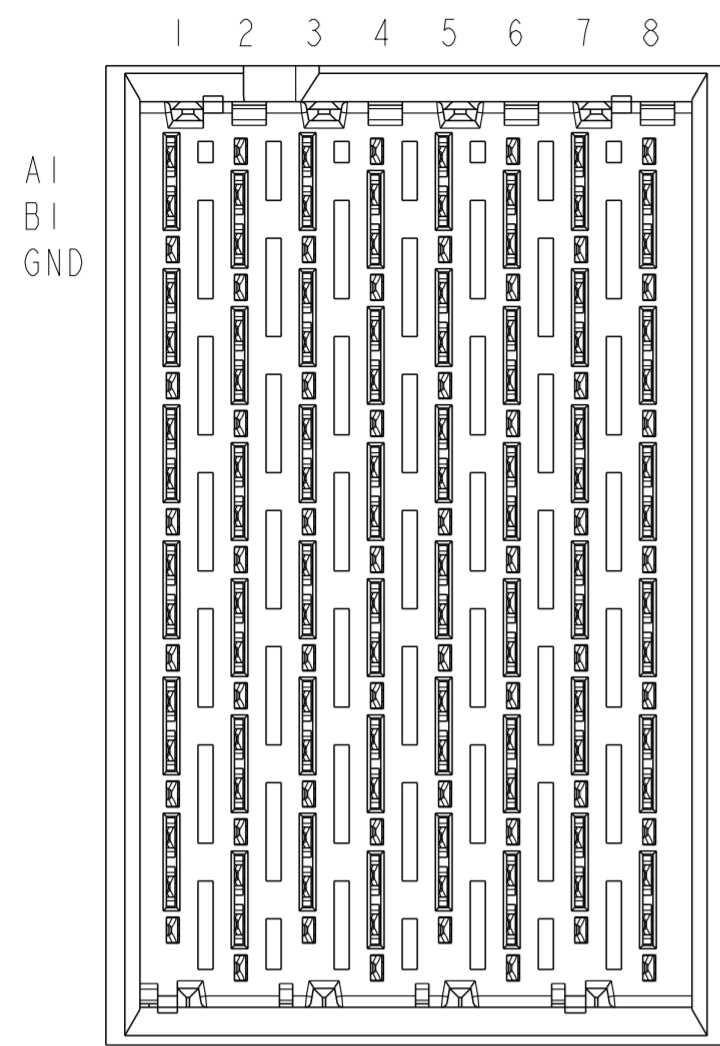
BP HOLE PATTERN COMPONENT SIDE

RIGHT WALL MODULE BACKPLANE FOOTPRINT



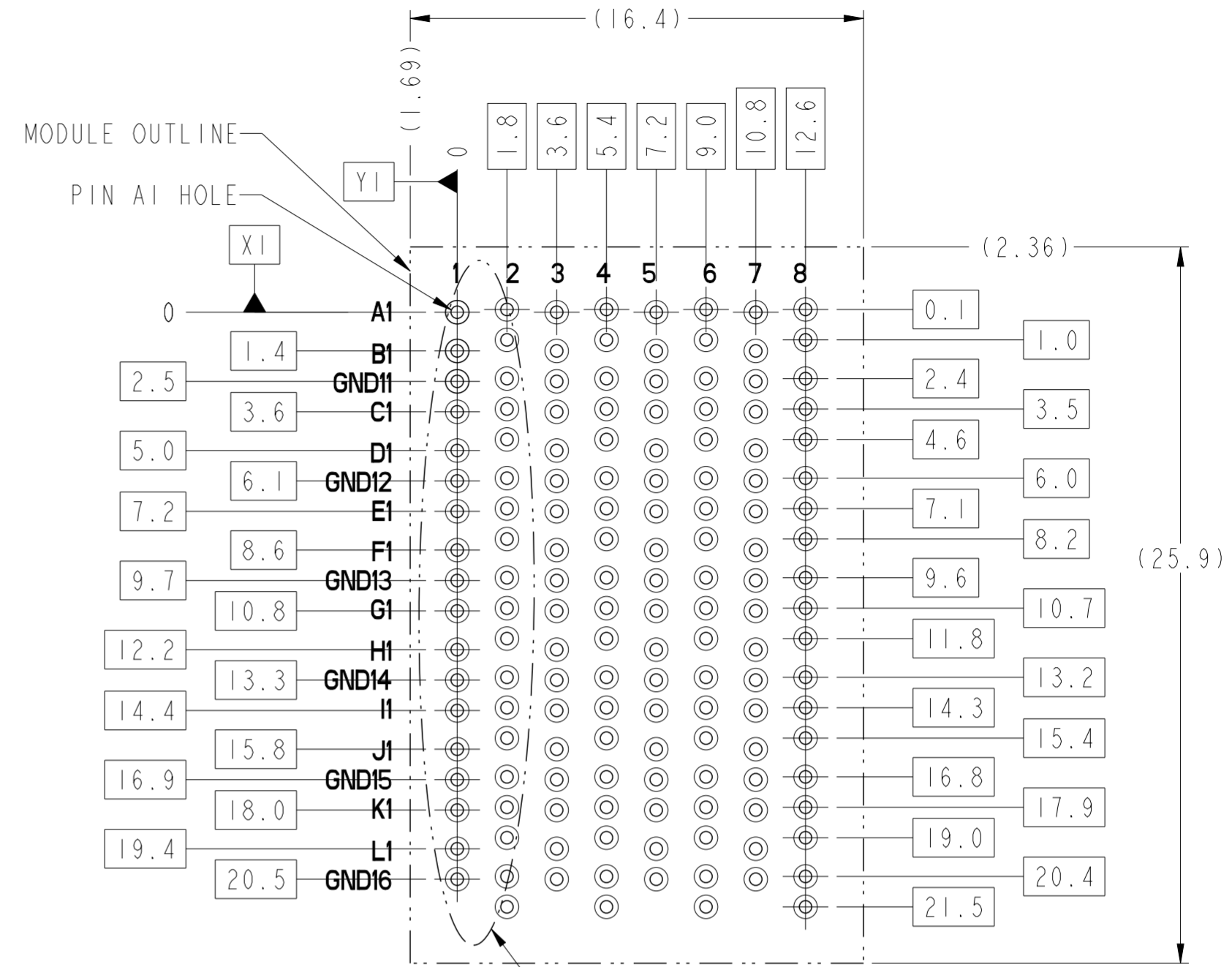
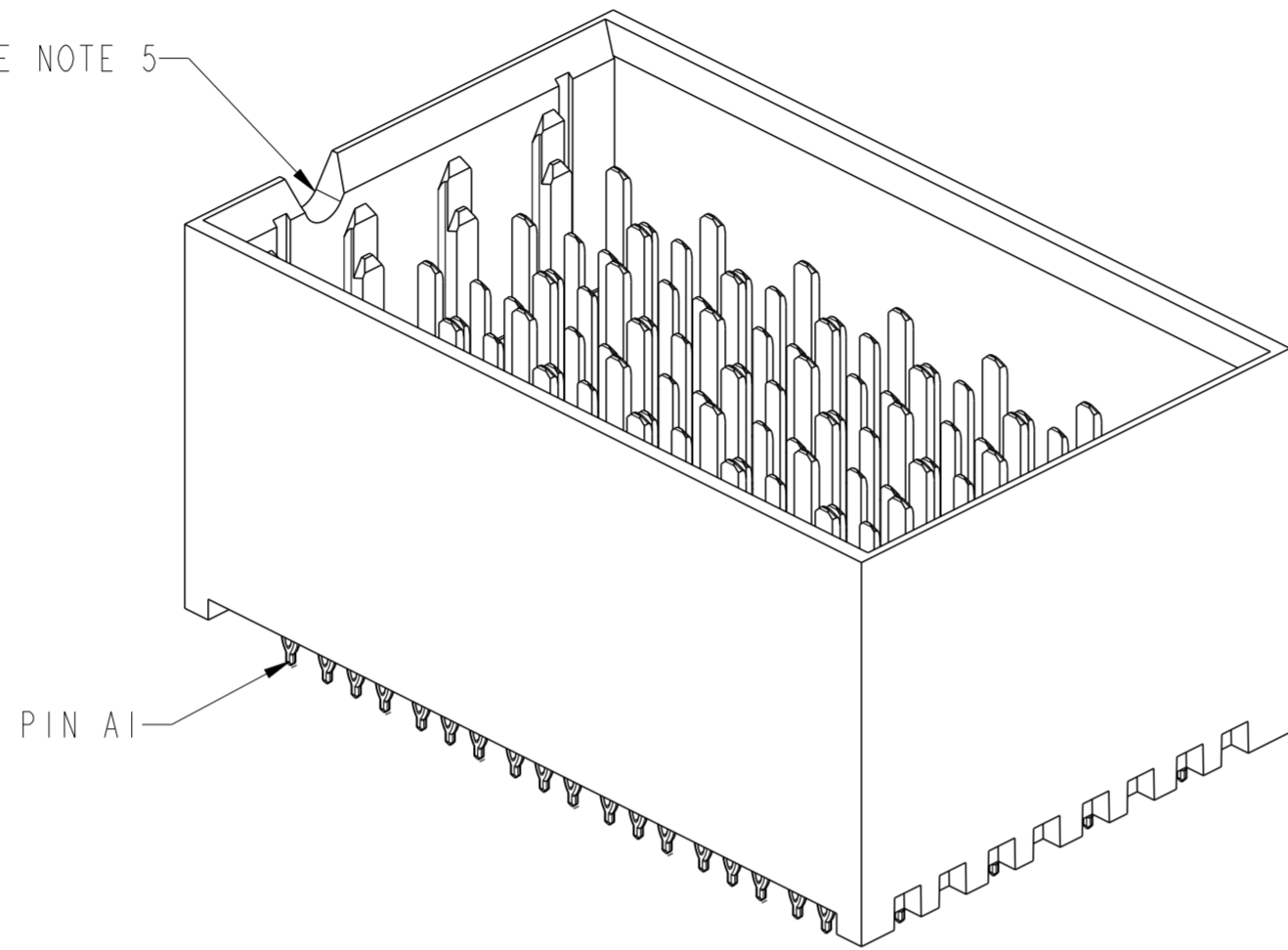
(5.2) FOR 3MM WIPE SIGNAL  
(4.2) FOR 2MM WIPE SIGNAL

spec ref	-	dr	Yong-Keat Lim	2012/02/23	projection	MM	size	A2	scale	5:1	
tolerance std	ASME Y14.5	eng	Sandar Soe	2016/03/08	chr	-	ecn no	ELX-S-17624-1	rel level	Released	
surface	linear	app	Chen-Hong Tan	2016/03/17	product family	XCEDE HD	rel level	Released	cat. no.	Product - Customer Drw	
ASME Y14.5	angular	0°	±2°	0.X	±0.3	0.XX	±0.10	0.XXX	±0.05	Amphenol FCI	
				VERTICAL HEADER ASSEMBLY		XCEDE HD 6 PAIR, 8 COLUMN		10120132		rev	C
				www.fci.com						sheet 4 of 8	



FOUR WALL MODULE

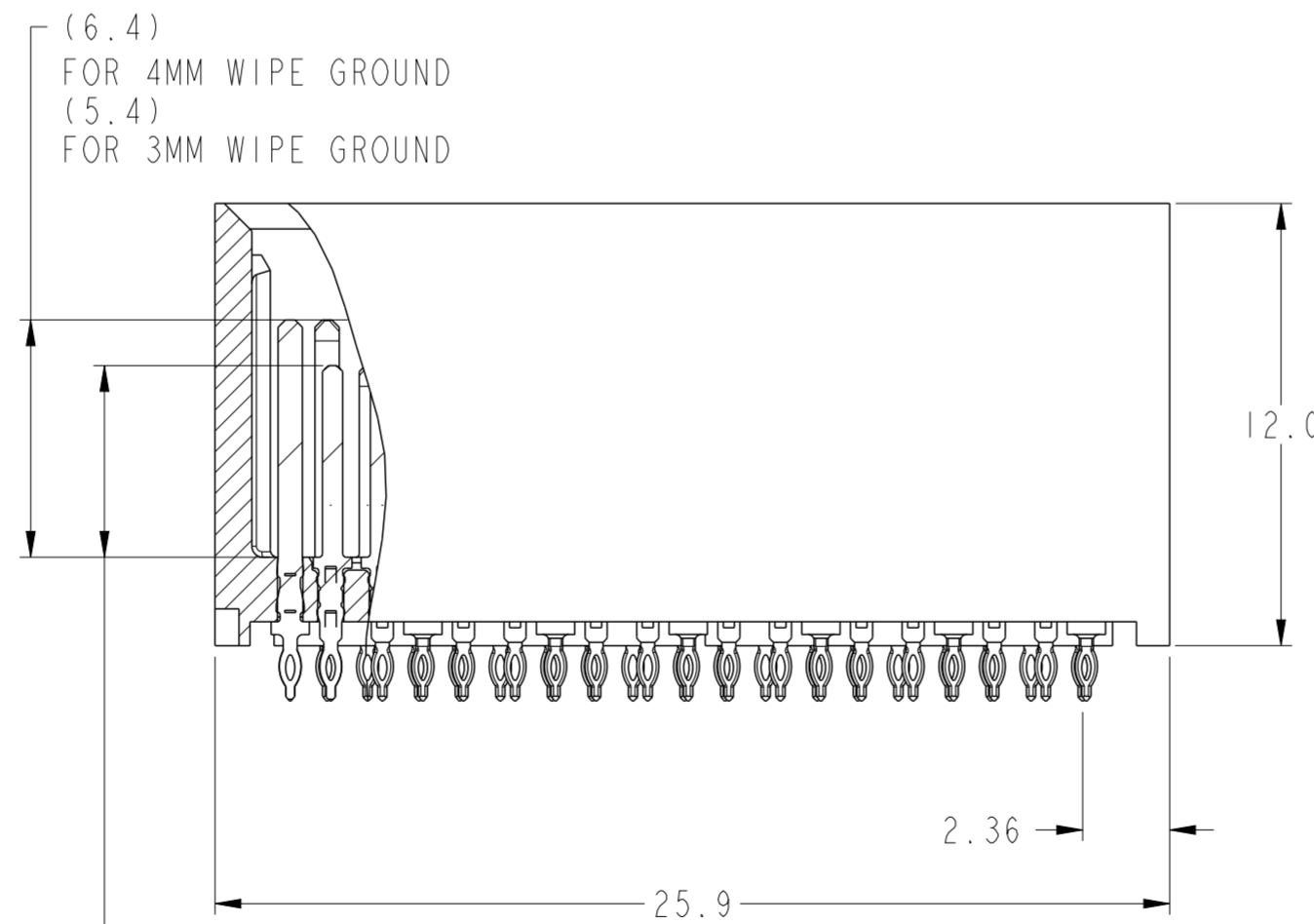
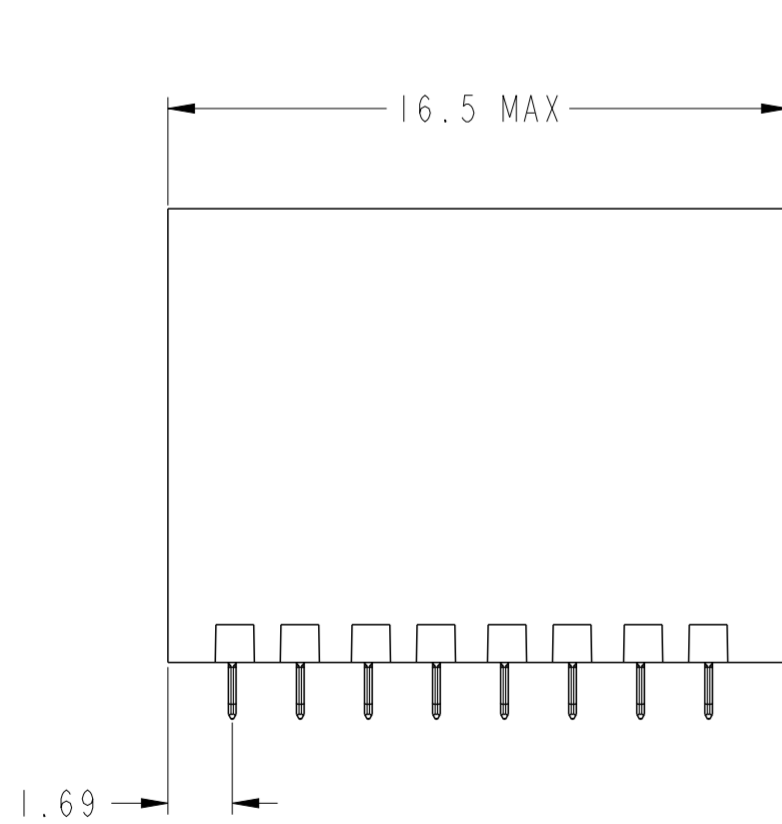
SEE NOTE 5



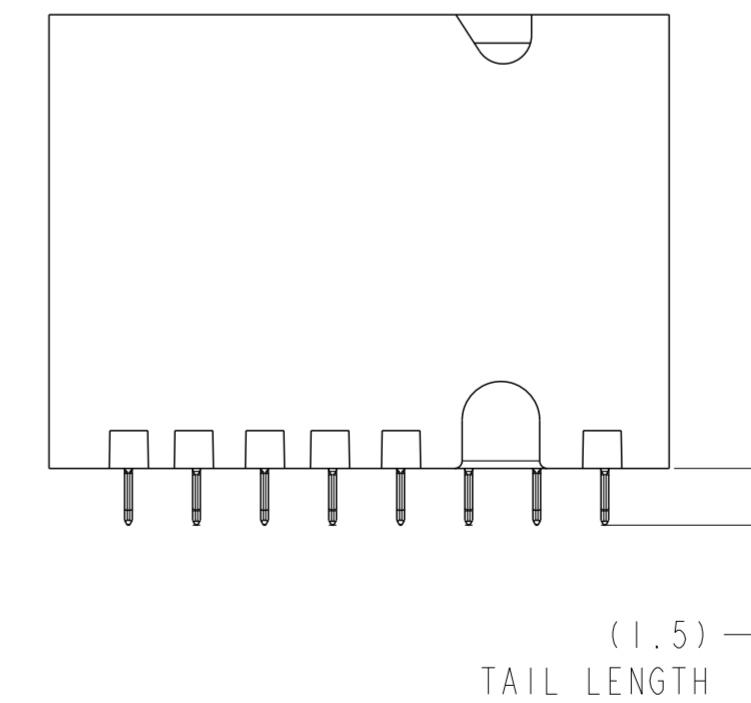
SEE DETAIL A ON SHEET 8 FOR PINOUT DETAILS

BP HOLE PATTERN COMPONENT SIDE

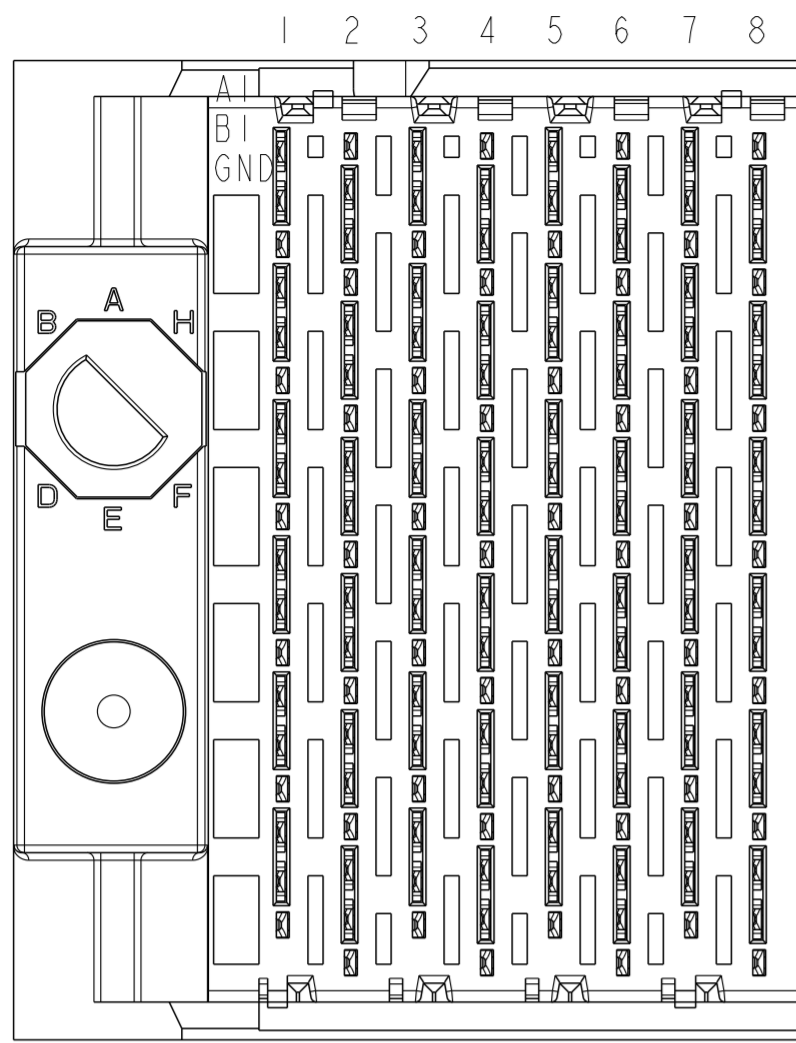
FOUR WALL MODULE BACKPLANE FOOTPRINT



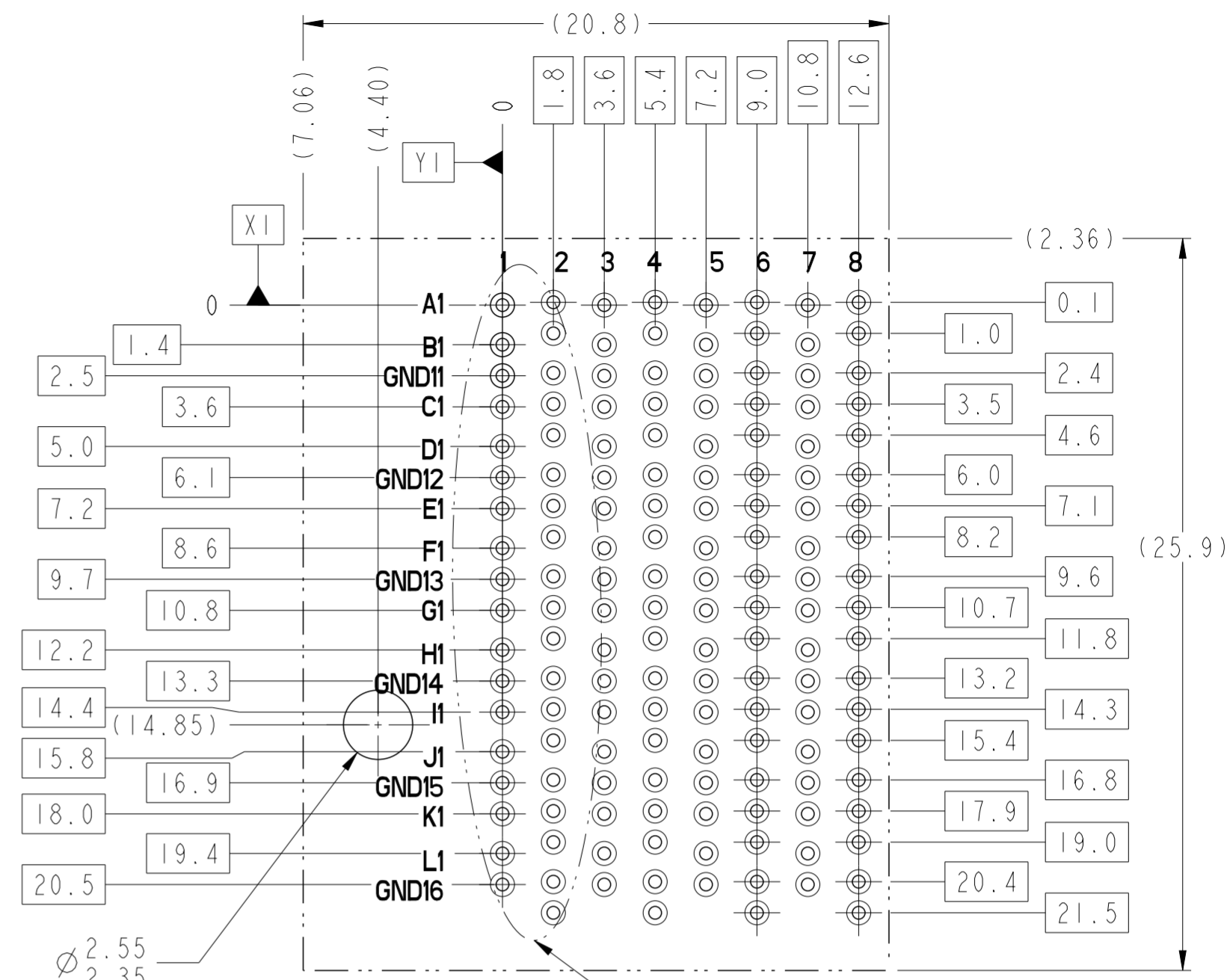
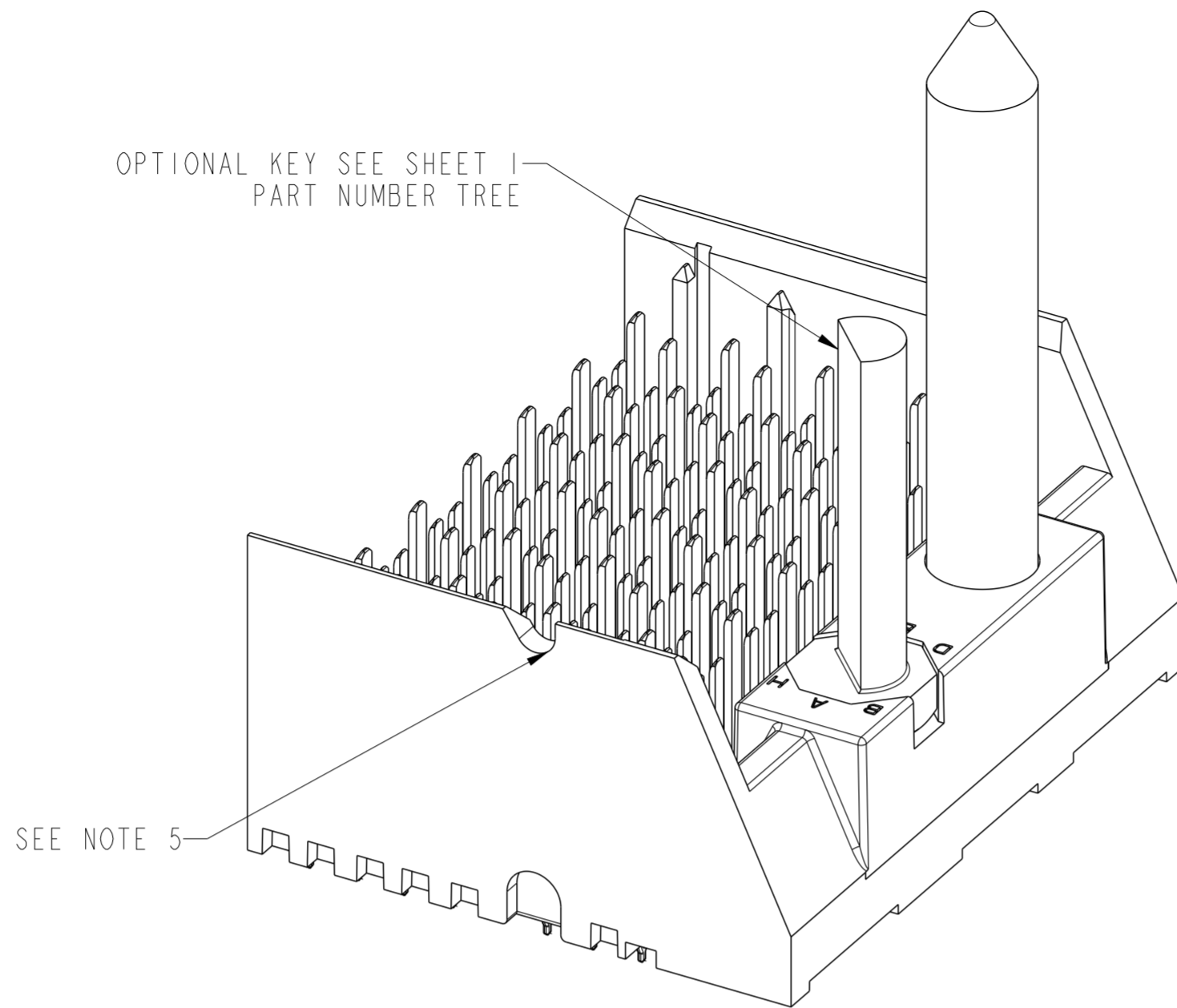
(5.2) FOR 3MM WIPE SIGNAL  
(4.2) FOR 2MM WIPE SIGNAL



spec ref	-	dr	Yong-Keat Lim	2012/02/23	projection	MM	size	A2	scale	5:1
tolerance std	ASME Y14.5	eng	Sandar Soe	2016/03/08			ecn no	ELX-S-17624-1	rel level	Released
TOLERANCES UNLESS OTHERWISE SPECIFIED		chr	-	product family						
surface	linear	0.X	±0.3		<b>VERTICAL HEADER ASSEMBLY</b> XCEDE HD 6 PAIR, 8 COLUMN	cat. no.	Product - Customer Drw	sheet 5 of 8	rev C	
	0.XX	±0.10								
	0.XXX	±0.05								
	angular	0°	±2°							



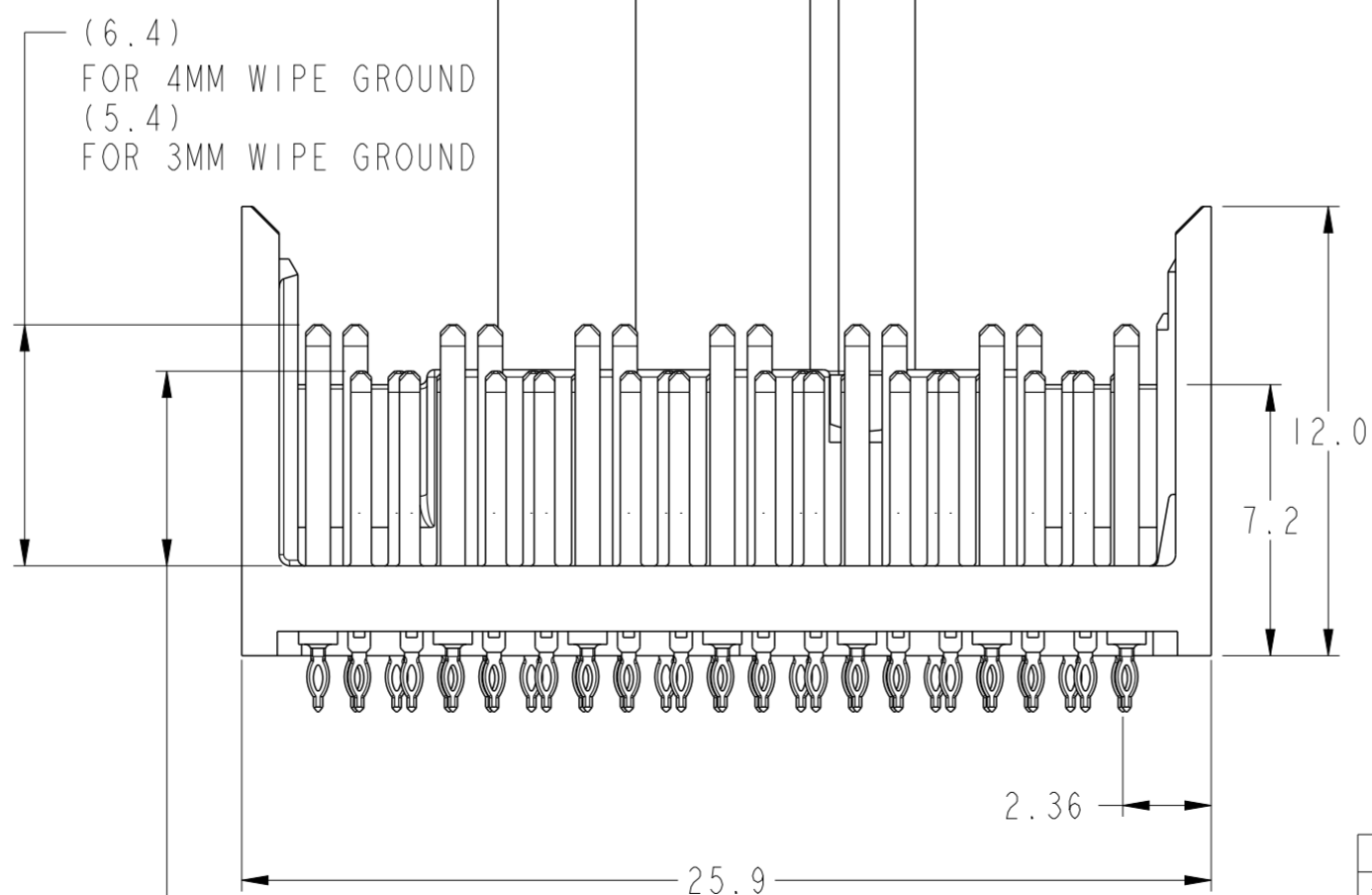
LEFT POLARIZING / GUIDE MODULE



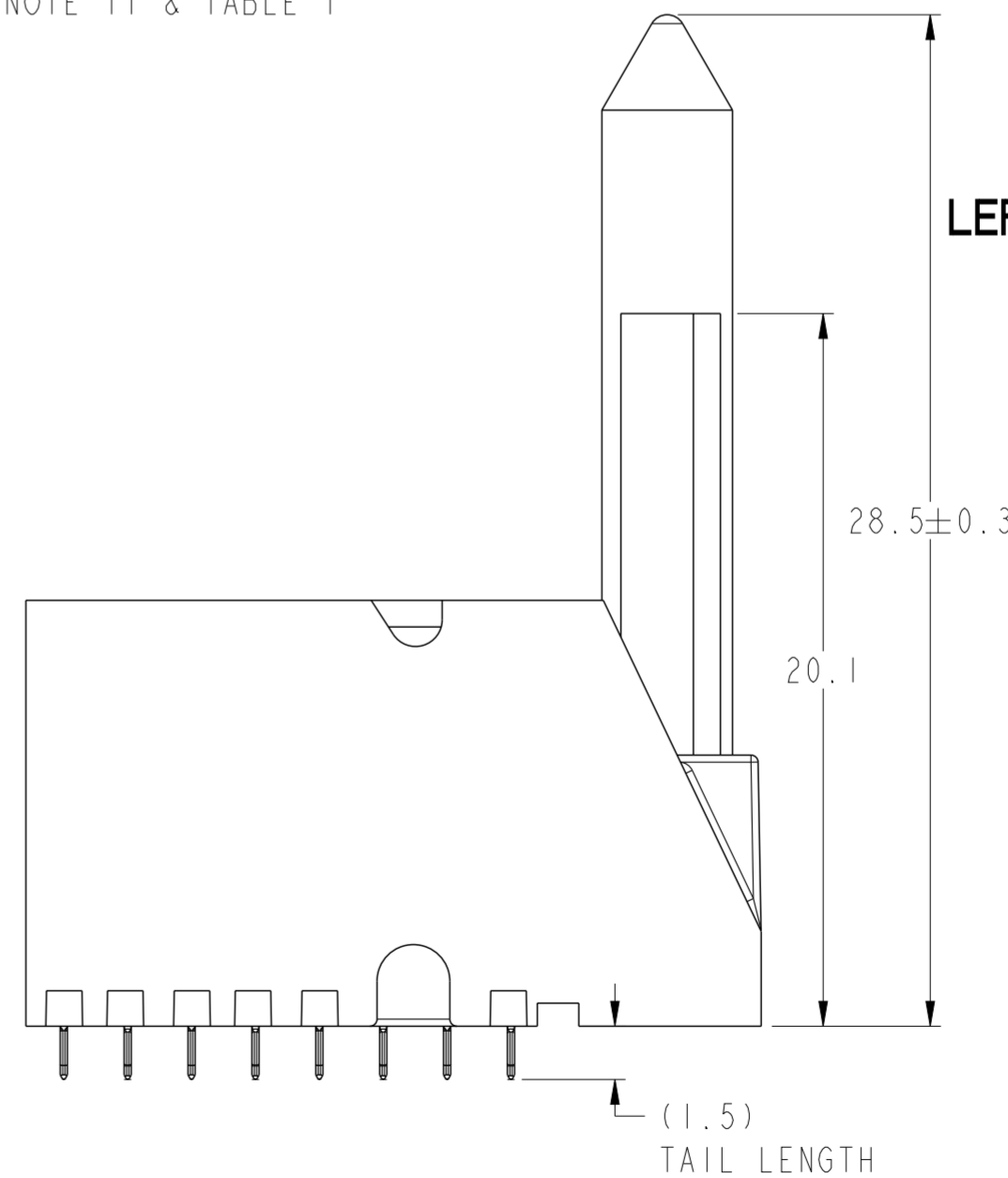
SEE NOTE 11 & TABLE 1

SEE DETAIL A ON SHEET 8 FOR PINOUT DETAILS

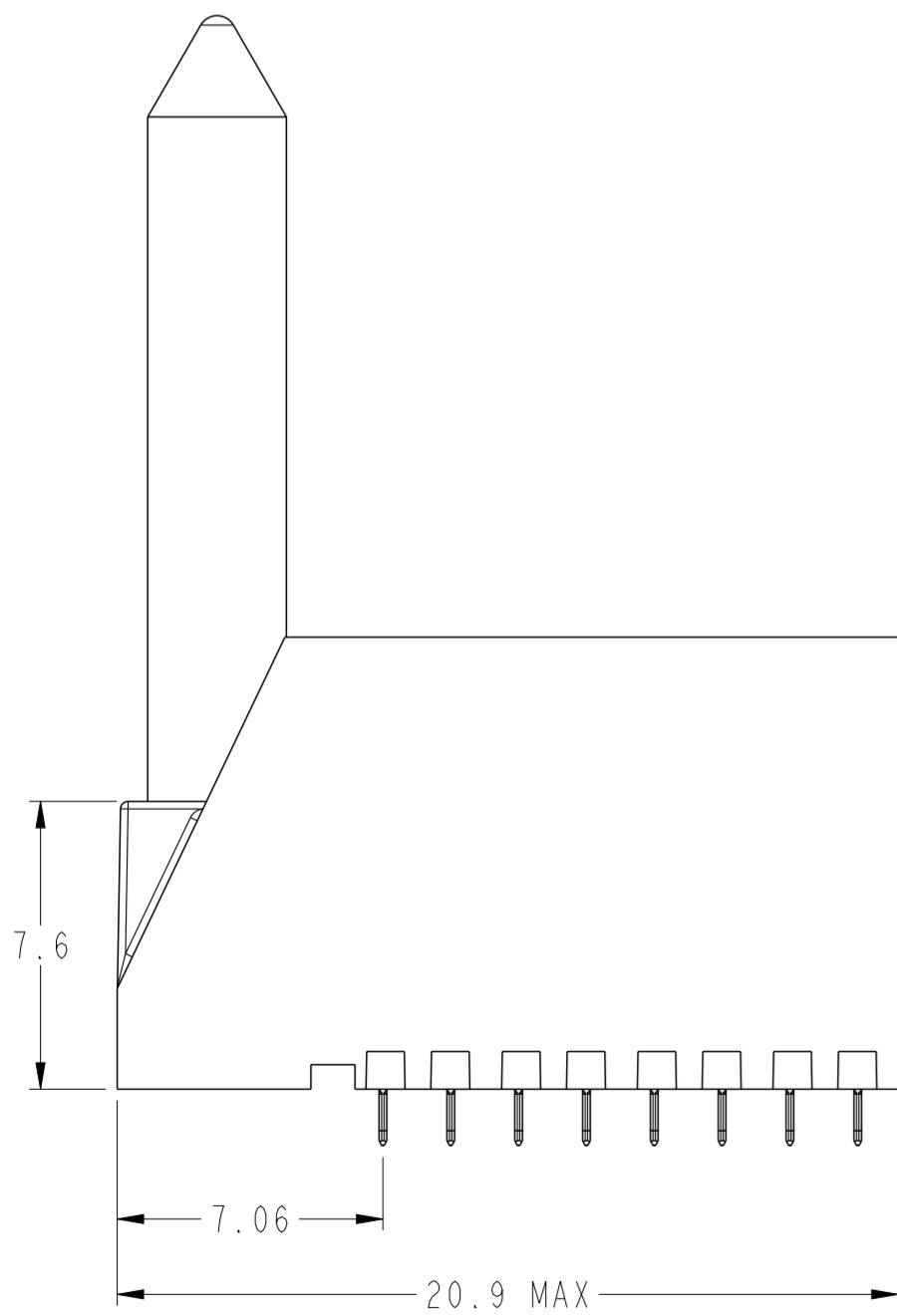
( $\varnothing 3.68$ )



(5.2) FOR 3MM WIPE SIGNAL  $\triangle C$   
 (4.2) FOR 2MM WIPE SIGNAL  $\triangle C$

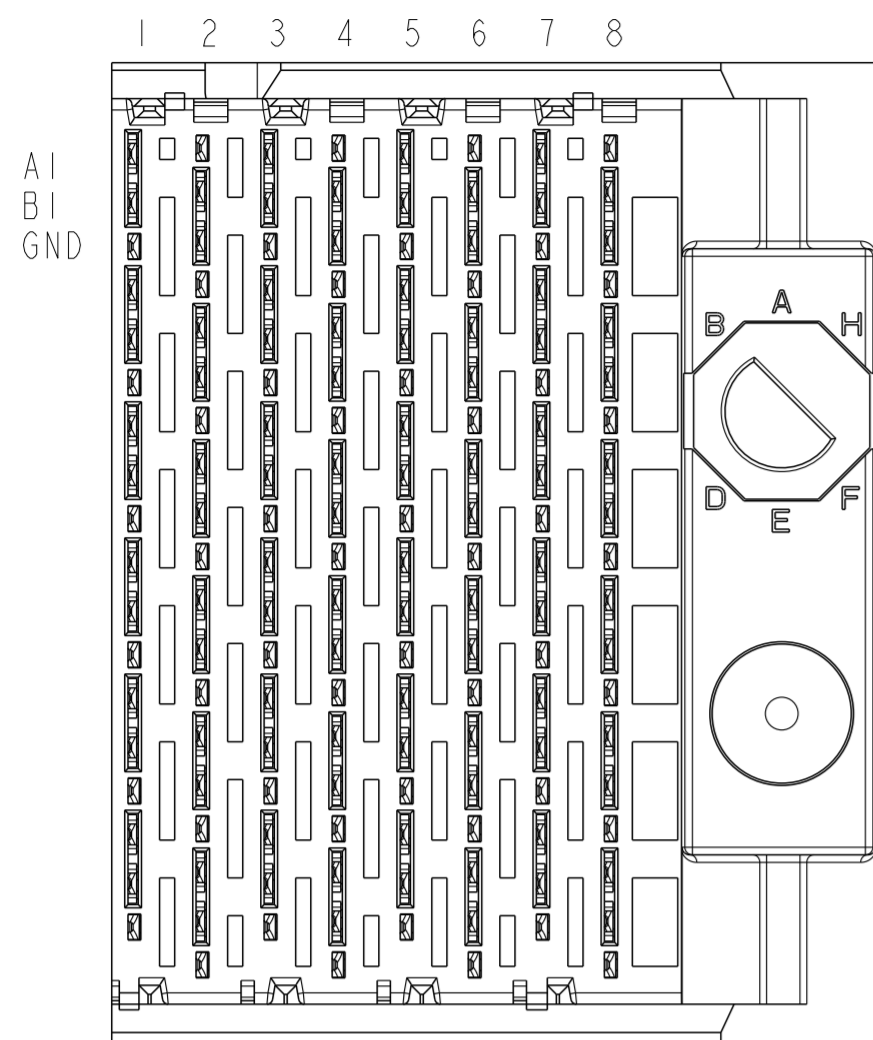


BP HOLE PATTERN COMPONENT SIDE  
 LEFT POLARIZING GUIDE MODULE  
 BACKPLANE FOOTPRINT

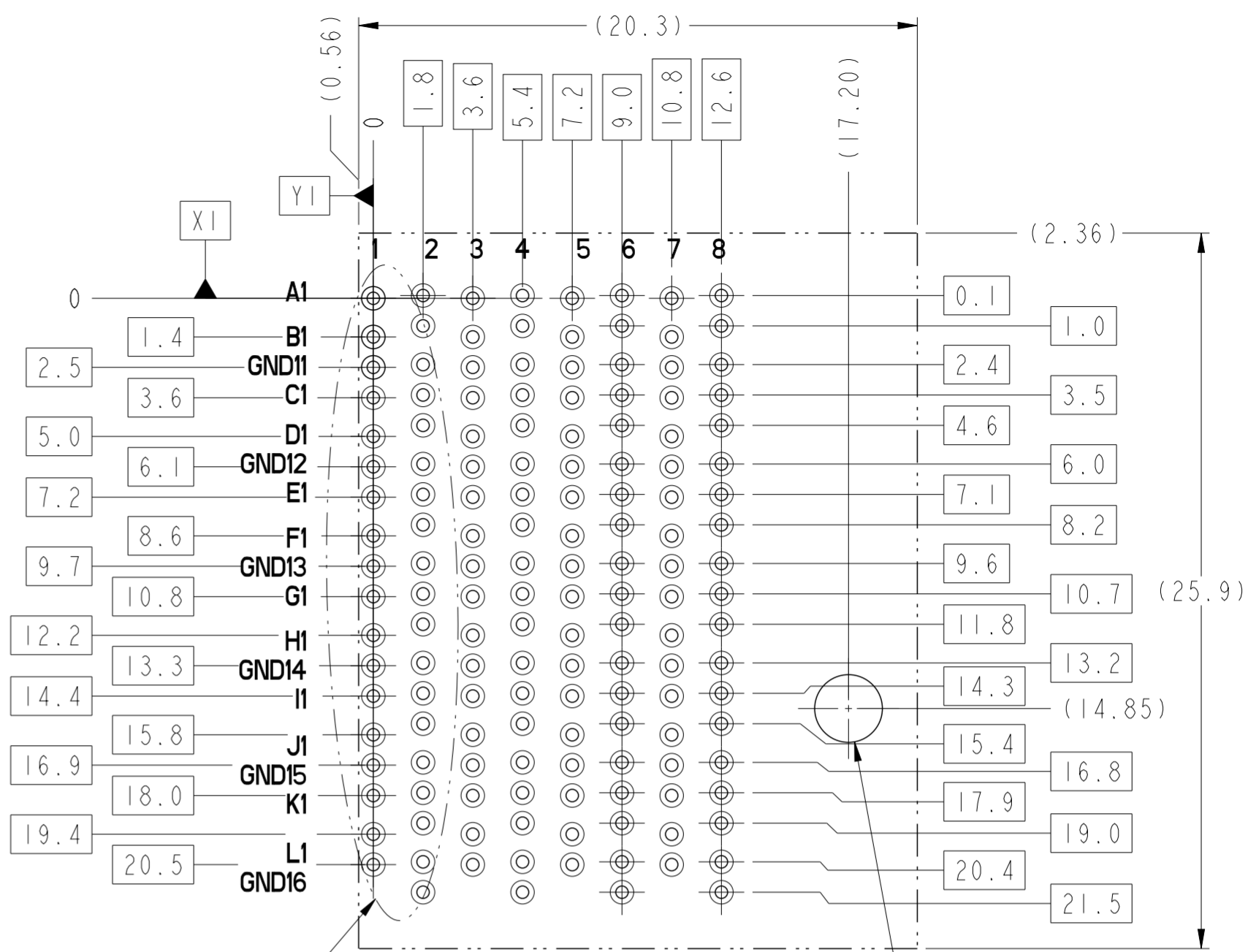
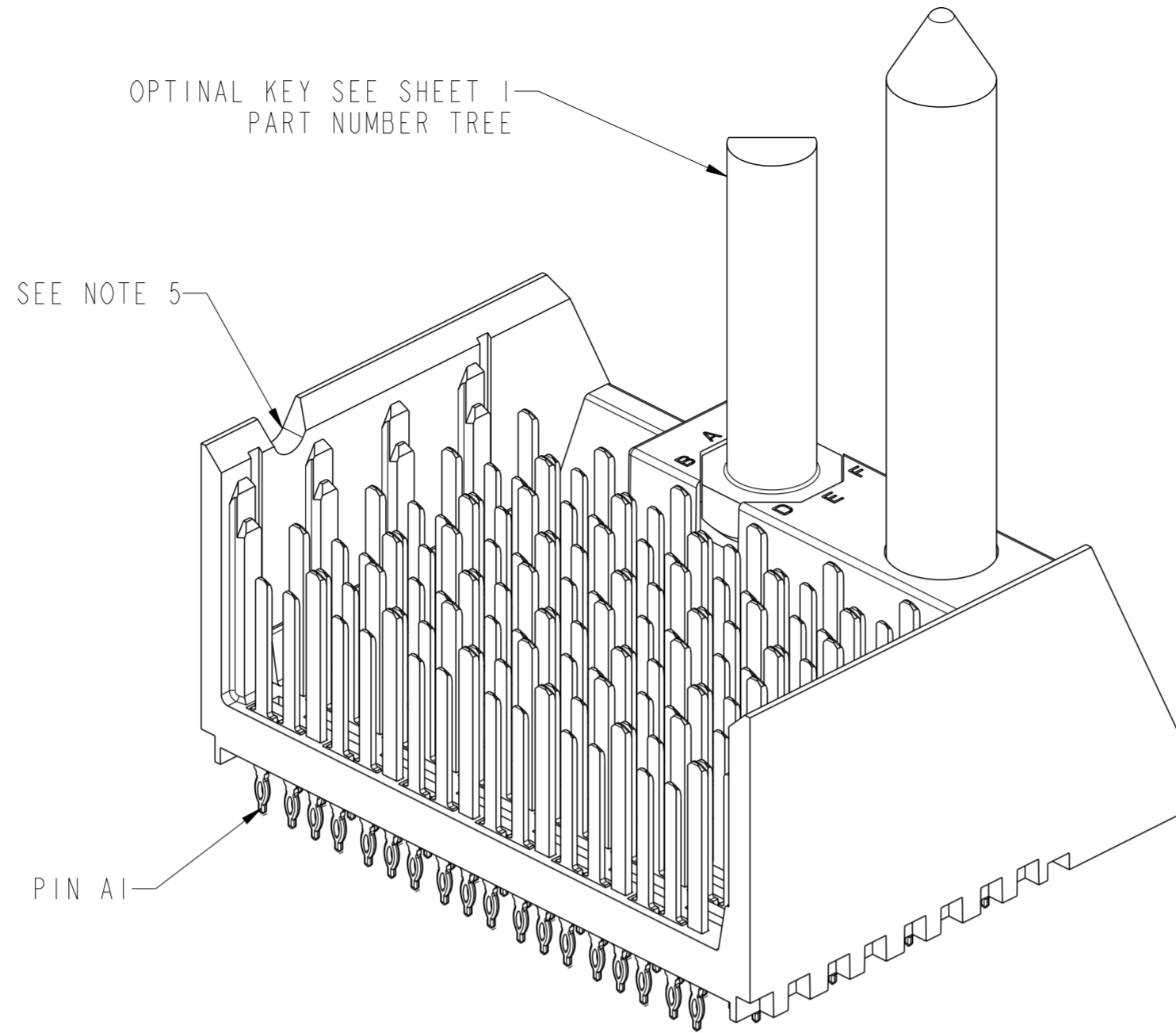


spec ref	-	dr	Yong-Keat Lim	2012/02/23	projection	MM	size	A2	scale	5:1
tolerance std	ASME Y14.5	eng	Sandar Soe	2016/03/08	chr	-	ecn no	ELX-S-17624-1	rel level	Released
surface	linear	appr	Chen-Hong Tan	2016/03/17	product family	XCEDE HD	rel level	Released	cat. no.	10120132
ASME Y14.5	angular	0°	±2°	0.X	±0.3	0.XX	±0.10	0.XXX	±0.05	www.fci.com
TOLERANCES UNLESS OTHERWISE SPECIFIED		Amphenol FCI		VERTICAL HEADER ASSEMBLY		XCEDE HD 6 PAIR, 8 COLUMN		Product - Customer Drw		sheet 6 of 8

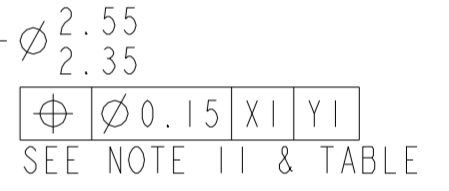




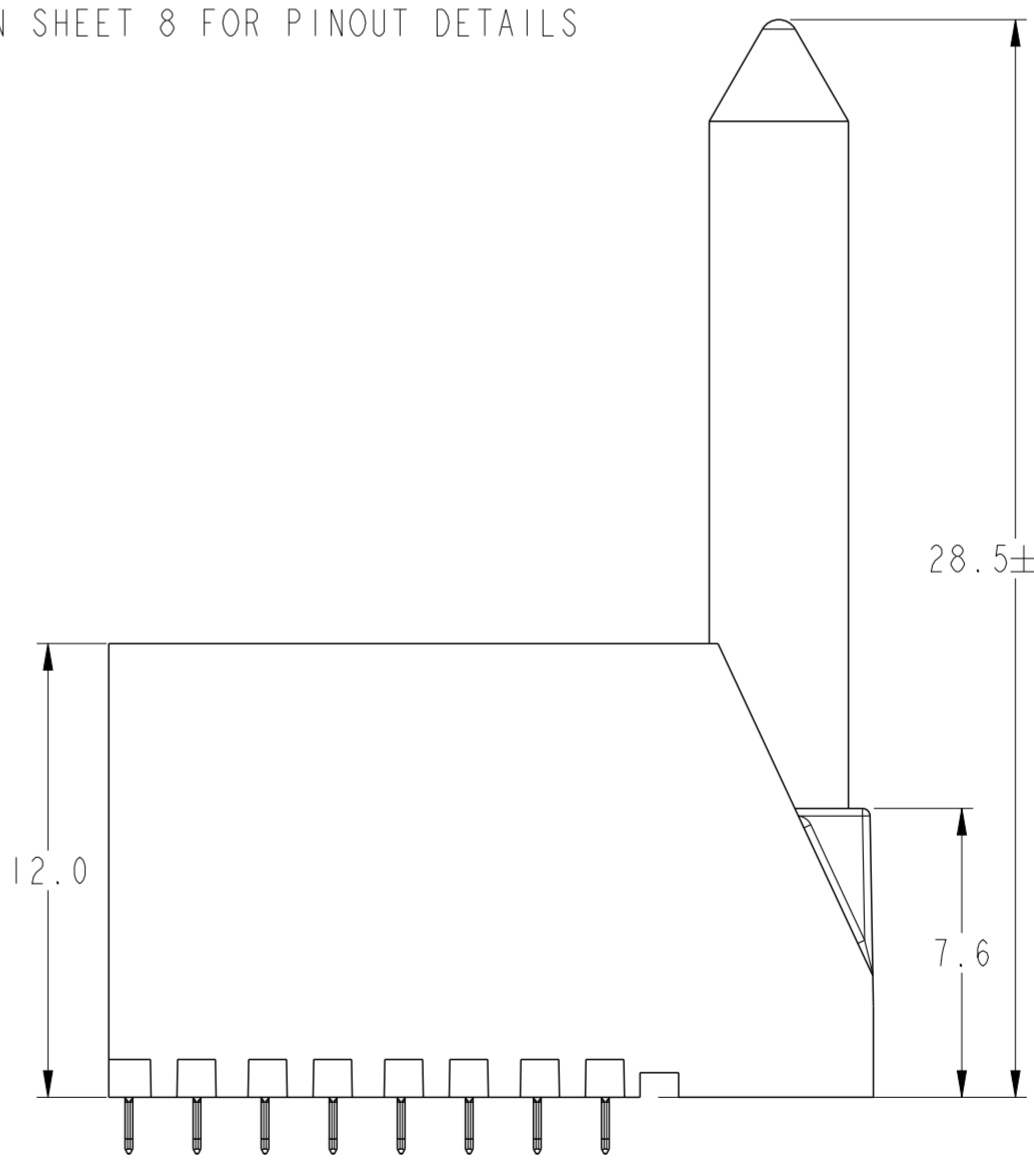
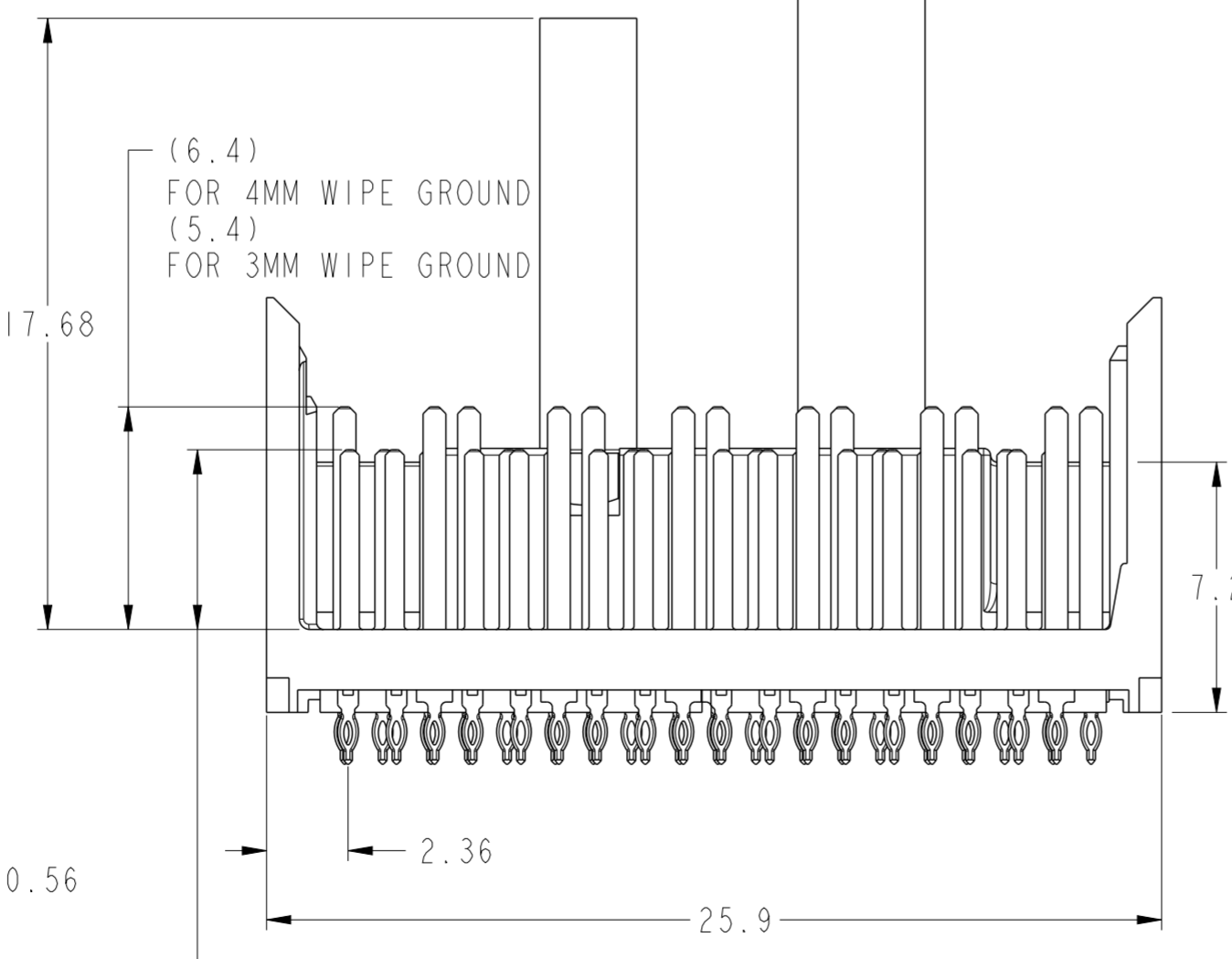
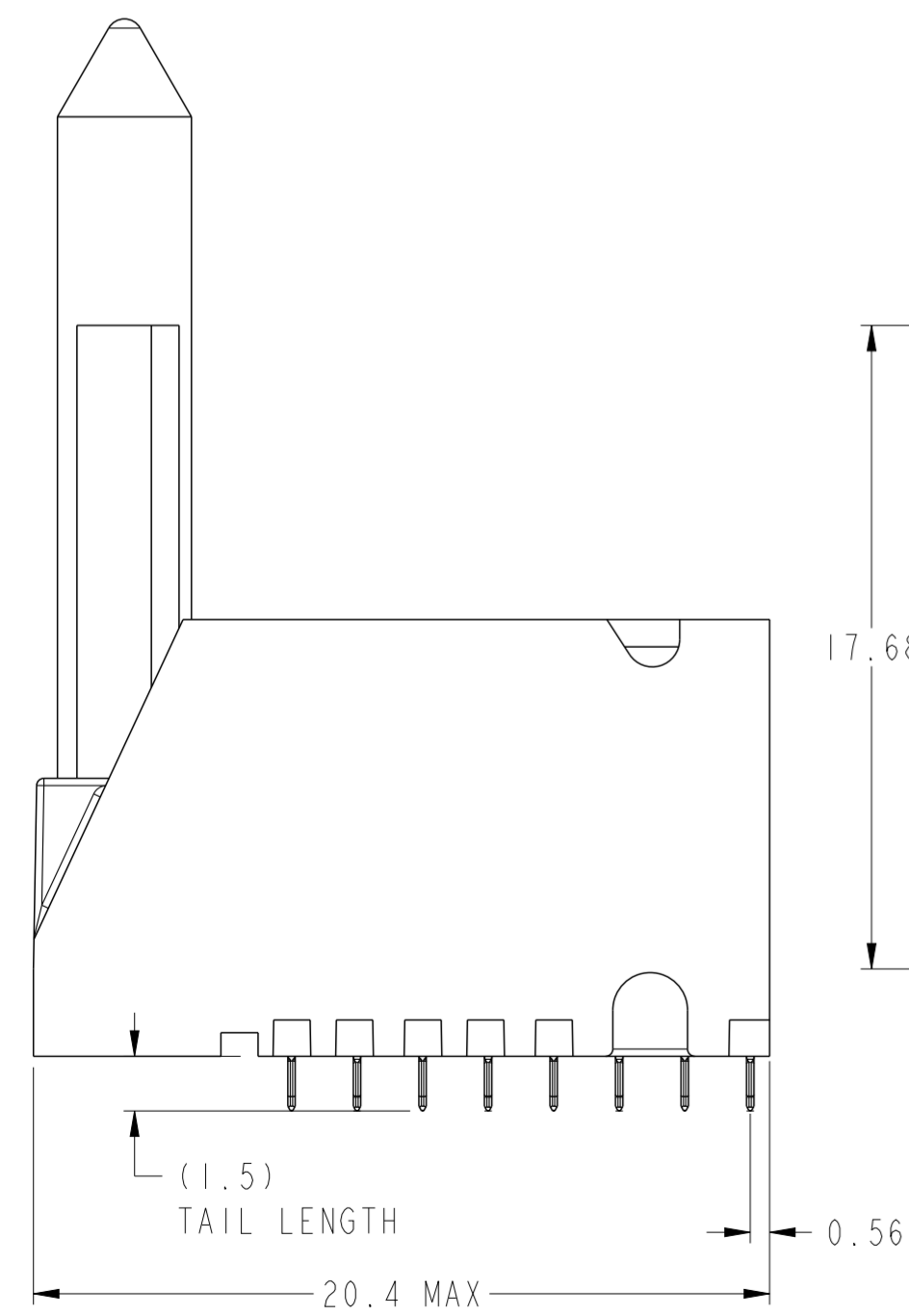
RIGHT POLARIZING GUIDE MODULE



SEE DETAIL A ON SHEET 8 FOR PINOUT DETAILS

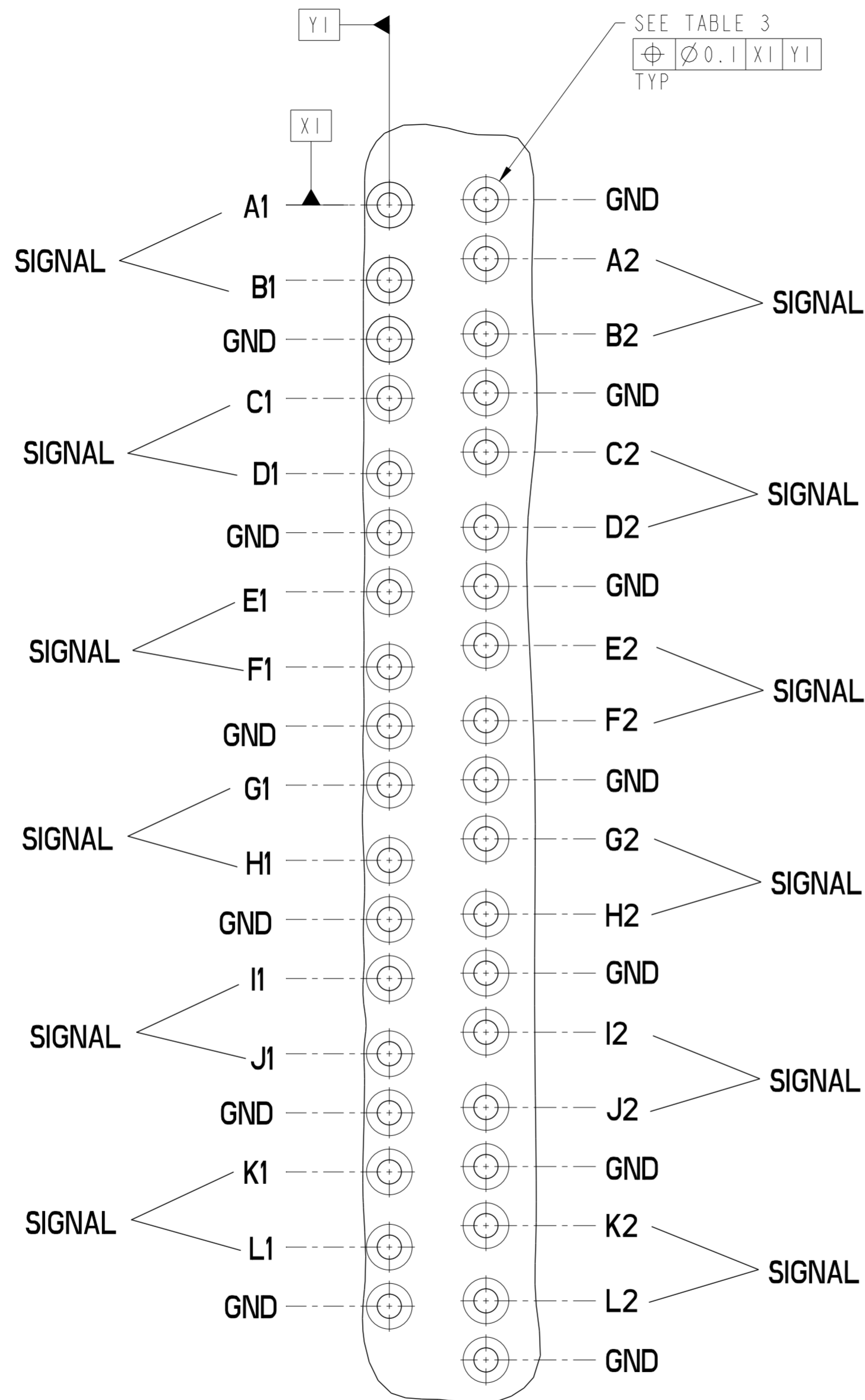


BP HOLE PATTERN COMPONENT SIDE  
RIGHT POLARIZING GUIDE MODULE  
BACKPLANE FOOTPRINT



(5.2) FOR 3MM WIPE SIGNAL  
(4.2) FOR 2MM WIPE SIGNAL

spec ref	-	dr	Yong-Keat Lim	2012/02/23	projection	MM	size	A2	scale	5:1
tolerance std	ASME Y14.5	eng	Sandar Soe	2016/03/08	chr	-	ecn no	ELX-S-17624-1	rel level	Released
surface	linear	appr	Chen-Hong Tan	2016/03/17	product family	XCEDE HD	rel level	Released	cat. no.	10120132
ASME Y14.5	angular	0°	±2°	0.X	±0.3	0.XX	±0.10	0.XXX	±0.05	www.fci.com



DETAIL A  
SCALE 12:1  
PINOUT DETAILS

TABLE 3		
	COMPLIANT PIN DRILL $\varnothing 0.55[0.0217"]$	COMPLIANT PIN DRILL $\varnothing 0.45[0.0117"]$
PTH	$\varnothing 0.45 \pm 0.05$	$\varnothing 0.36 \pm 0.05$
DRILL	$\varnothing 0.55[0.0217"]$	$\varnothing 0.45[0.0117"]$
PAD	$\varnothing 0.85$	$\varnothing 0.75$

NOTES:

- CONNECTOR MATERIALS  
SHROUD : HIGH-TEMP POLYMER, COLOR : BLACK, UL94V-0  
CONTACTS : HIGH PERFORMANCE COPPER ALLOY
- PRODUCT SPECIFICATION : GS-12-0936
- APPLICATION SPECIFICATION : GS-20-0348
- PRODUCT MARKING :  
PART NUMBER (10120132-X0E-XXXLF)  
"FCI" AND DATE CODE (FCI P#####)
- NOTCH DESIGNATES "ROW A" SIDE OF CONNECTOR. NOTCH FEATURE ON OPPOSITE FOR PRODUCT MARKING.
- PLATING THICKNESS OF SIGNAL & GROUND CONTACT ARE DETERMINED BY PLATING CODE, REFER TO P/N TREE ON SHEET 1.
- PACKAGING MEETS GS-14-920 LEAD-FREE LABELING SPECIFICATION.
- GUIDE-PIN STYLE DESIGNATION ONLY APPLIES TO MODULE VERSIONS THAT REQUIRE GUIDE-PIN HARDWARE. FOR ALL NON-GUIDE-PIN VERSIONS, THE DEFAULT DASH-NUMBER DIGIT IN THAT LOCATION IS STILL "0".
- SEE APPLICATION SPECIFICATION FOR ROUTING GUIDELINES, ADDITIONAL PTH GUIDELINES, MATED DIMENSIONS, GUIDE PIN SELECTION, ETC.
- A  $\Delta$  SYMBOL WILL BE NEXT TO ANY DIMENSION, VIEW OR NOTE THAT HAS BEEN MODIFIED WITH THE CURRENT DRAWING REVISION.
- OPTIONAL HOLE LOCATION FOR GROUNDED PIN OR ADDITIONAL GUIDE-PIN SUPPORT. SEE TABLE 1 SHEET 1 FOR ADDITIONAL DETAILS.
- SCREW IS OPTIONAL AND ENGAGES WITH BOTTOM OF GUIDE PIN FROM BENEATH THE PCB FOR ADDITIONAL GUIDE-PIN SUPPORT.

spec ref	-	dr	Yong-Keat Lim	2012/02/23	projection	MM	size	A2	scale	3:1
tolerance std	ASME Y14.5	eng	Sandar Soe	2016/03/08	chr	-	ecn no	ELX-S-17624-1	rel level	Released
TOLERANCES UNLESS OTHERWISE SPECIFIED		appr	Chen-Hong Tan	2016/03/17	product family	XCEDE HD	cat. no	10120132	rev	C
surface	ASME Y14.5	linear	0.X	$\pm 0.3$	VERTICAL HEADER ASSEMBLY		www.fci.com	Product - Customer Drw		sheet 8 of 8
		angular	0°	$\pm 2^\circ$	XCEDE HD 6 PAIR, 8 COLUMN					