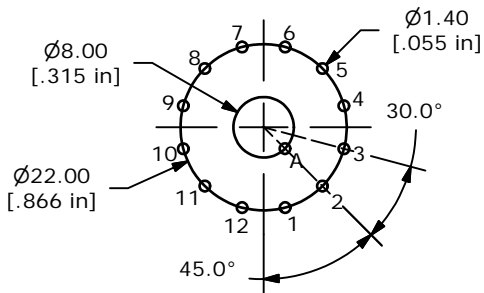
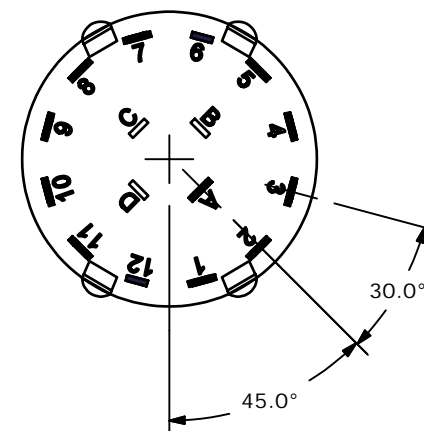
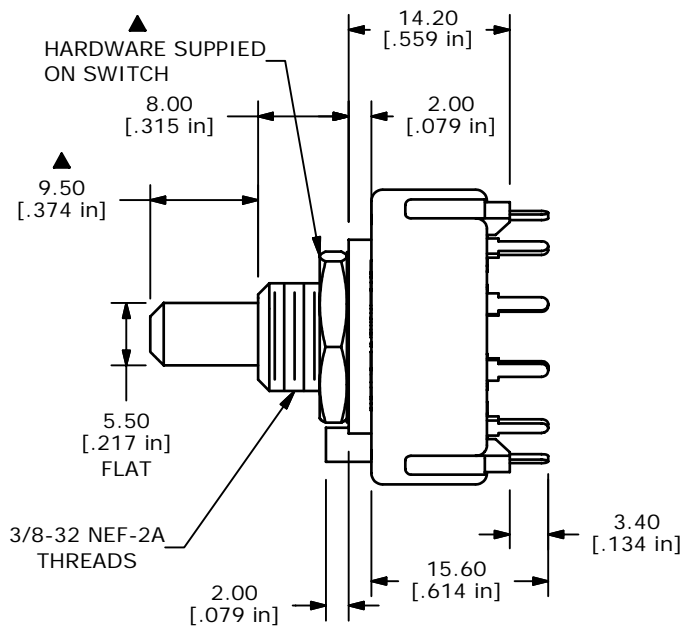
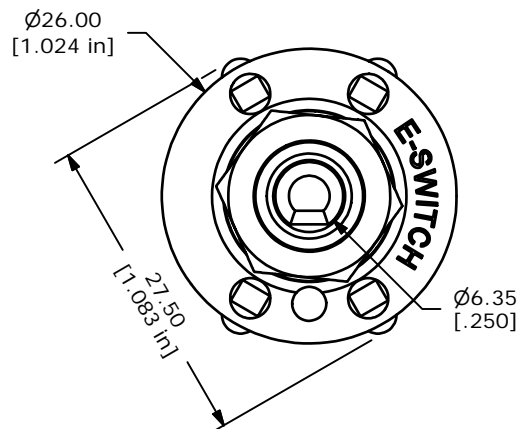
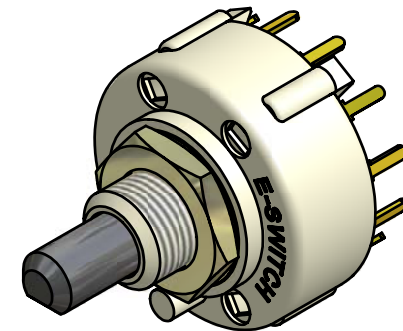


CONTACT CONFIGURATION
TIMING (BBM) NON-SHORTING



P.C. LAYOUT



- NOTE:
1. ALL DIMENSIONS IN MM[INCH].
 2. GENERAL TOLERANCE: X.X=±0.4
X.XX=±0.25
 3. TERM. NOS. FOR REFERANCE ONLY.
 4. CONTACT MATERIAL: GOLD FLASHING OVER SILVER PLATE OVER COPPER ALLOY
 5. CONTACT RATING: 0.3A @125VAC
 6. OPERATING FORCE: 800±200 GRAMS
 7. OPERATING TEMP: -30°C TO 85°C
 - ▲8. CIRUIT SP: 12 POSITION 30° INDEX.
 9. DIELECTRIC STRENGTH: 500VAC- 60 SEC.
 - ▲10. HARDWARE SUPPLIED ON SWITCH:
LOCKWASHER, HEXNUT
 11. ▲ DENOTES CRITICAL PARAMETER.

E-SWITCH®

A	15064	RELEASED FOR PRODUCTION	7/8/05	JB
REV	PCR NO	DESCRIPTION	DATE	BY

TITLE KC52A9.501NPF				
SCALE	DATE	DR	DWG	REV
1.5:1	7/8/2005	JB	G511002	A

THE INFORMATION CONTAINED IN THIS DOCUMENT IS PROPRIETARY TO E-SWITCH AND IS NOT TO BE COPIED OR TRANSFERRED