

THE INFORMATION CONTAINED HEREIN IS CONSIDERED "PROPRIETARY" TO BEL FUSE INC. AND SHALL NOT BE COPIED, REPRODUCED OR DISCLOSED WITHOUT THE WRITTEN APPROVAL OF BEL FUSE INC.

RoHS

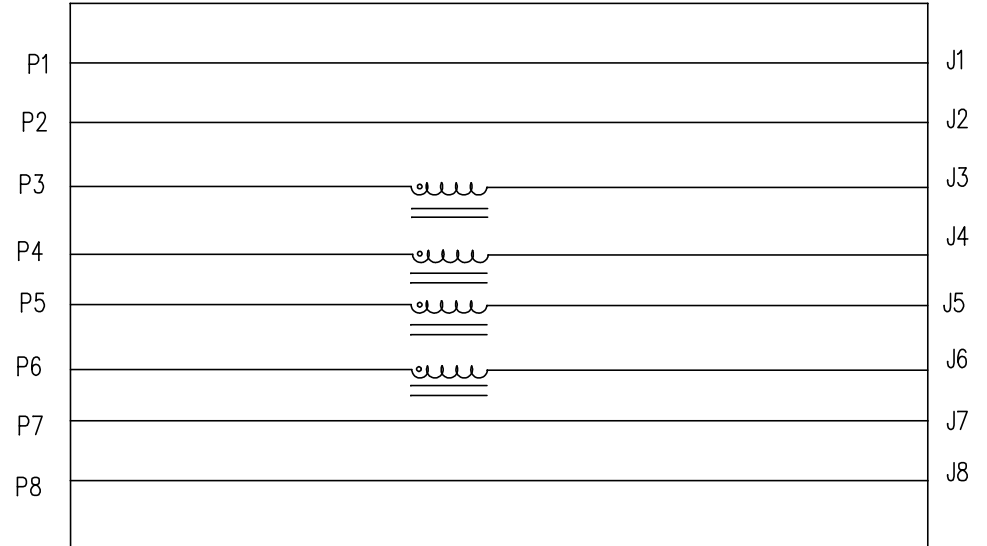


ELECTRICAL SPECIFICATIONS:

OPERATING TEMPERATURE RANGE:		: -40°C TO +85°C
1.0 INDUCTANCE: (P3-J3) = (P4-J4) = (P5-J5) = (P6-J6)		: 20 uH MIN @1MHz, 20 mV
2.0 LEAKAGE INDUCTANCE (P3-J3), SHORT (P4-J4), (P5-J5), (P6-J6)		: 0.20 uH MAX @1MHz, 20 mV
(P4-J4), SHORT (P3-J3), (P5-J5), (P6-J6)		: 0.20 uH MAX @1MHz, 20 mV
(P5-J5), SHORT (P3-J3), (P4-J4), (P6-J6)		: 0.20 uH MAX @1MHz, 20 mV
(P6-J6), SHORT (P3-J3), (P4-J4), (P5-J5)		: 0.20 uH MAX @1MHz, 20 mV
3.0 COUPLING CAPACITANCE P3 TO P4 TO P5 TO P6		: 20 pF MAX. @1MHz, 20 mV
SHORT (P3-J3), (P4-J4), (P5-J5), (P6-J6)		
4.0 DC RESISTANCE (P3-J3) = (P4-J4) = (P5-J5) = (P6-J6)		: 0.5 OHM MAX
5.0 COMMON MODE ATTENUATION		
	FREQUENCY (MHz)	dB (MIN)
	0.3	12
	1	19
	10	30
	30	30
	50	35
	100	32
	300	25
	500	18
6.0 HIPOT		: 500 Vrms (REF. DOC. HAND -WORK-03)

PINS

RJ



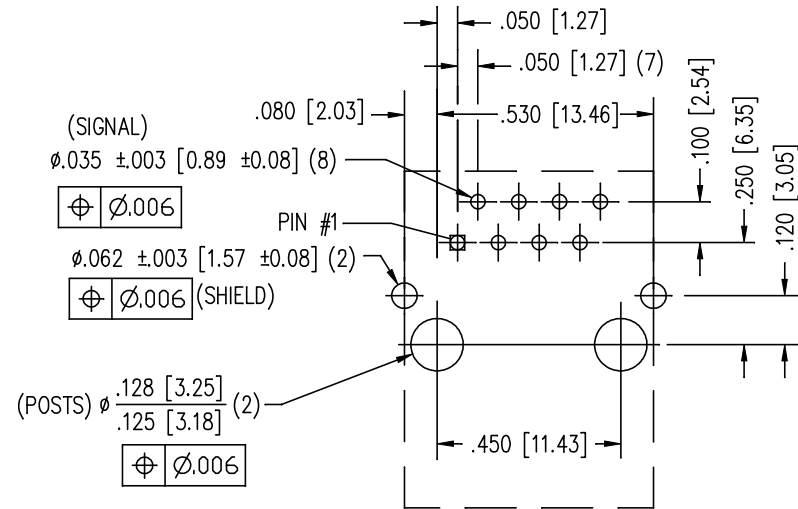
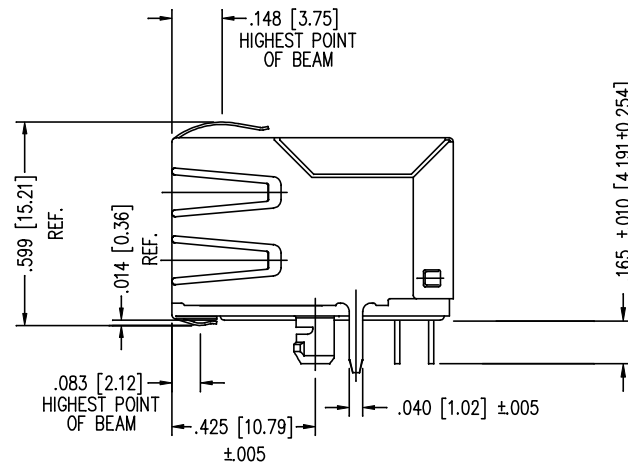
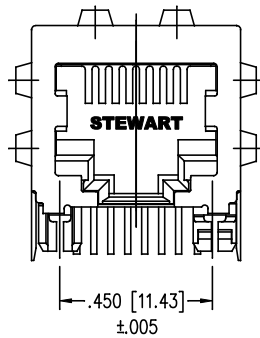
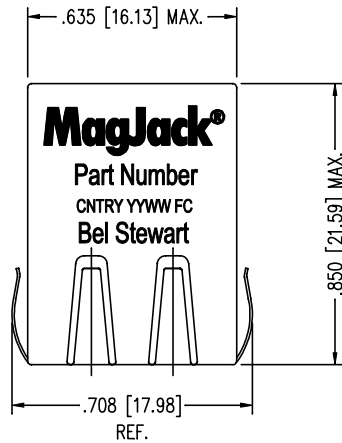
NOTE:

PINS NOT ELECTRICALLY CONNECTED ARE OMITTED.

ORIGINATED BY Zeng Xiao Chun	DATE 2011-11-09	TITLE MagJack® 10/100 BT TAB UP,SHIELDED	PART NO. / DRAWING NO. SI-60114-F		STANDARD DIM. TOL. IN INCH		[] METRIC DIM. AS REFERENCE		 bel COMPONENTS FOR A CONNECTED PLANET
	DRAWN BY Duan Jun		DATE 2011-11-09	FILE NAME SI-60114-F.DWG		.X		UNIT : INCH [mm]	
					.XX		SCALE : N/A	SIZE : A4	
					.XXX	±0.005		PAGE : 2	

THE INFORMATION CONTAINED HEREIN IS CONSIDERED "PROPRIETARY" TO BEL FUSE INC. AND SHALL NOT BE COPIED, REPRODUCED OR DISCLOSED WITHOUT THE WRITTEN APPROVAL OF BEL FUSE INC.

RoHS



P.C.B. RECOMMENDED HOLE LAYOUT
SEEN FROM COMPONENT SIDE

ALL CENTERLINE DIMENSIONS ARE BASIC.

NOTES:

- CONNECTOR MATERIALS:
HOUSING: THERMOPLASTIC UL94 V-0
CONTACT/SHIELD: COPPER ALLOY
SHIELD PLATING: NICKEL OR TIN
CONTACT PLATING: SELECTIVE GOLD,
50 MICRO-INCHES MIN. IN CONTACT AREA.
- PIN NOT ELECTRICALLY CONNECTED MAYBE OMITTED.
SEE ELECTRICAL DRAWING FOR OMITTED PINS.
- TOLERANCES COMPLY WITH F.C.C. DIMENSION REQUIREMENTS.
- ALL TOLERANCES NOT OTHERWISE SPECIFIED TO BE ±.005 [0.13]
- WAVE SOLDER COMPATIBLE - PREHEAT 125°C/90SECS.

ORIGINATED BY	DATE
Zeng Xiao Chun	2011-11-09
DRAWN BY	DATE
Duan Jun	2011-11-09

TITLE	MagJack® 10/100 BT TAB UP, SHIELDED
-------	--

PART NO. / DRAWING NO.	SI-60114-F
FILE NAME	SI-60114-F.DWG

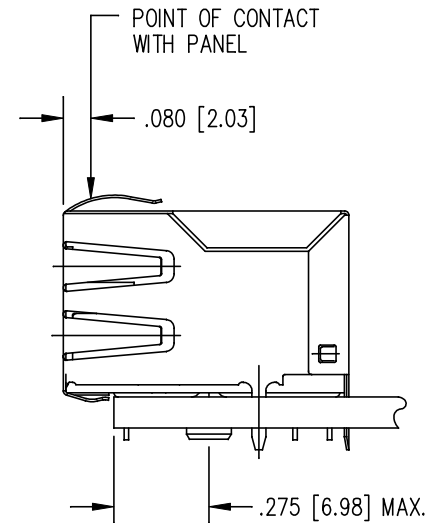
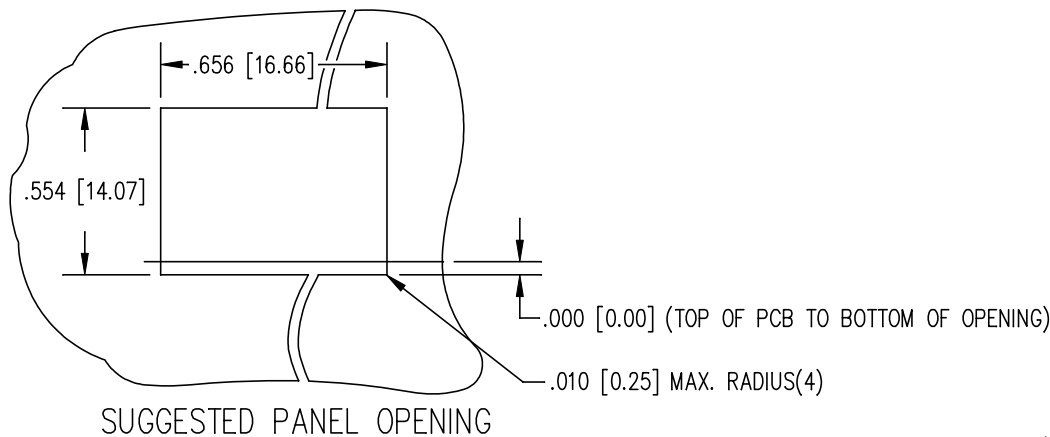
STANDARD DIM.	[] METRIC DIM. AS REFERENCE
TOL. IN INCH	UNIT : INCH [mm]
.X	SCALE : N/A
.XX	REV. : A0
.XXX	SIZE : A4
±.005	PAGE : 3

[] METRIC DIM. AS REFERENCE	REV. : A0
UNIT : INCH [mm]	SIZE : A4
SCALE : N/A	PAGE : 3



THE INFORMATION CONTAINED HEREIN IS CONSIDERED "PROPRIETARY" TO BEL FUSE INC. AND SHALL NOT BE COPIED, REPRODUCED OR DISCLOSED WITHOUT THE WRITTEN APPROVAL OF BEL FUSE INC.

RoHS



1. THE SUGGESTED PANEL OPENING IS INTENDED TO GIVE THE USER THE ABILITY TO HAVE REASONABLE JACK / PANEL CLEARANCES YET MAINTAIN RELIABLE GROUNDING CAPABILITY.
2. ALL TOLERANCES NOT OTHERWISE SPECIFIED TO BE ± 0.005 [0.13]

ORIGINATED BY	DATE	TITLE	PART NO. / DRAWING NO.	STANDARD DIM.	[] METRIC DIM. AS REFERENCE	
Zeng Xiao Chun	2011-11-09	MagJack® 10/100 BT TAB UP,SHIELDED	SI-60114-F	TOL. IN INCH	UNIT : INCH [mm]	REV. : A0
DRAWN BY	DATE		FILE NAME	.X	SCALE : N/A	SIZE : A4
Duan Jun	2011-11-09		SI-60114-F.DWG	.XX		PAGE : 4
			.XXX	±0.005		

