

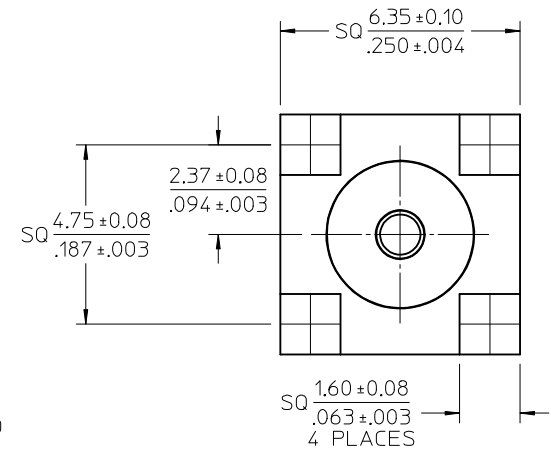
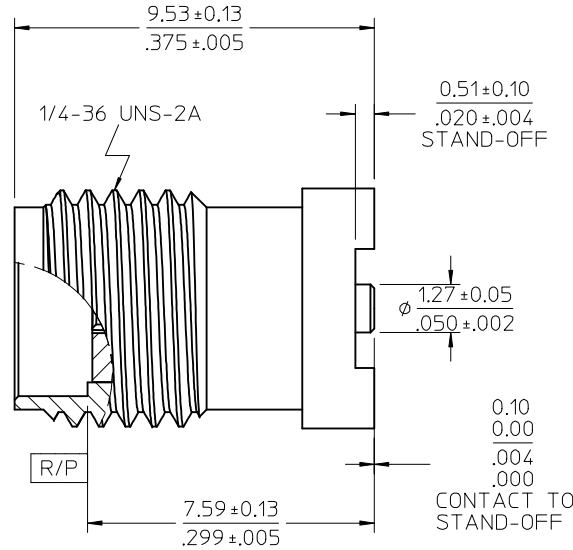
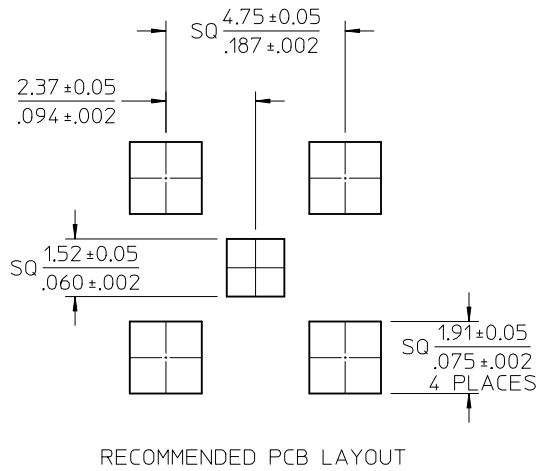
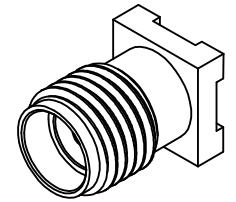
MATERIALS & FINISHES

BODY: BRASS
PLATED: SEE TABLE

CONTACT: BERYLLIUM COPPER
PLATED: GOLD

INSULATOR: TEFLON

KAPTON: POLYIMIDE FILM
(ON -1355 ONLY)



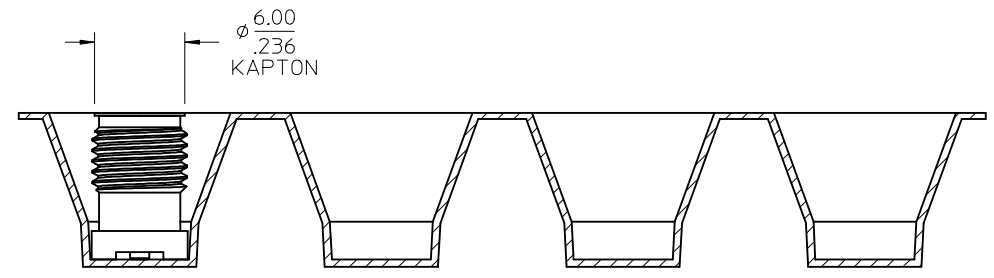
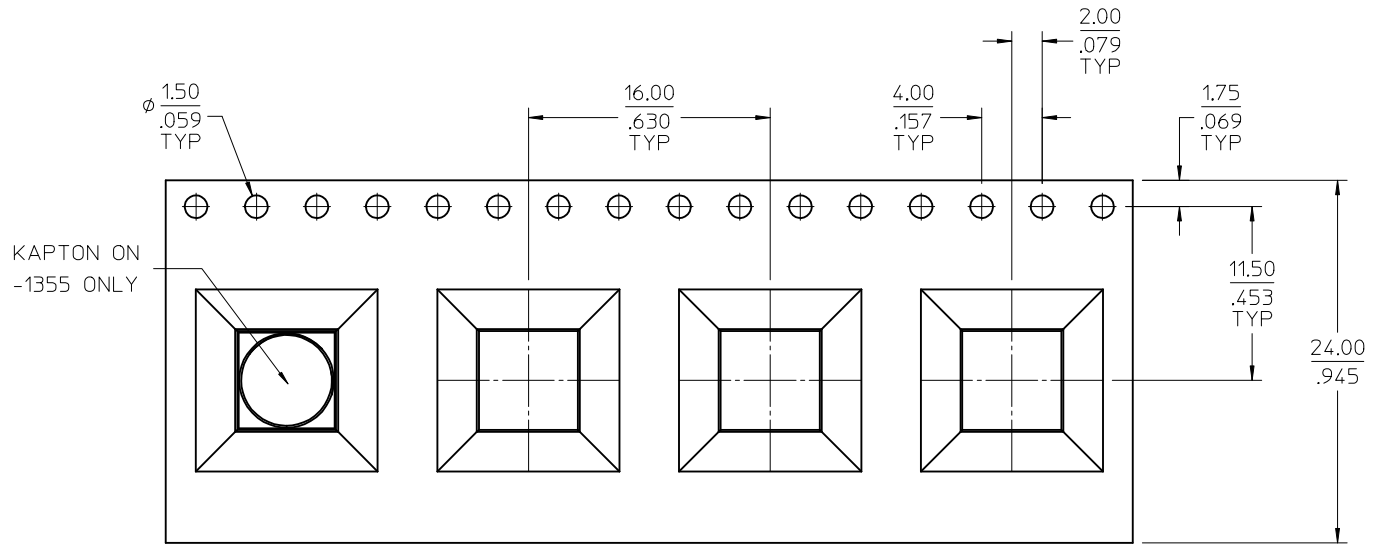
73251-1355	T & R W/KAPTON (400 PCS / REEL) BODY GOLD
73251-1354	TAPE & REEL (400 PCS / REEL) BODY NICKEL
73251-1353	TRAY PACK (80 PCS / TRAY) / BODY NICKEL
73251-1352	ONE PIECE 73251-1350 PER BAG / BODY GOLD
73251-1351	TAPE & REEL (400 PCS / REEL) / BODY GOLD
73251-1350	TRAY PACK (80 PCS / TRAY) / BODY GOLD
PART NO	TAPE & REEL (400 PCS / REEL) / BODY GOLD

PS-89675-3460	ELEC/MECH PERFORMANCE
MIL-STD-348A, FIG. 310.2	INTERFACE
SPECIFICATION	DESCRIPTION

CHG: PS-89675-3460 ADD PER RF15-E255 EC NO: URF2016-0029 DRWR:YEH 2015/07/16 CHKD: APPR:YCHENG 2015/07/23	QUALITY SYMBOLS ∇=0 ∇=0 ∇=0	GENERAL TOLERANCES (UNLESS SPECIFIED) <table border="1"> <tr> <th></th> <th>mm</th> <th>INCH</th> </tr> <tr> <td>4 PLACES</td> <td>± .010</td> <td>± .0004</td> </tr> <tr> <td>3 PLACES</td> <td>± .015</td> <td>± .0006</td> </tr> <tr> <td>2 PLACES</td> <td>± .020</td> <td>± .0008</td> </tr> <tr> <td>1 PLACE</td> <td>± .030</td> <td>± .0012</td> </tr> <tr> <td>0 PLACE</td> <td>± .040</td> <td>± .0015</td> </tr> </table>		mm	INCH	4 PLACES	± .010	± .0004	3 PLACES	± .015	± .0006	2 PLACES	± .020	± .0008	1 PLACE	± .030	± .0012	0 PLACE	± .040	± .0015	DIMENSION STYLE MM/IN	SCALE 10:1	DESIGN UNITS METRIC	THIRD ANGLE PROJECTION
		mm	INCH																					
	4 PLACES	± .010	± .0004																					
	3 PLACES	± .015	± .0006																					
2 PLACES	± .020	± .0008																						
1 PLACE	± .030	± .0012																						
0 PLACE	± .040	± .0015																						
DRAFT WHERE APPLICABLE MUST REMAIN WITHIN DIMENSIONS		DRAWN BY SSS 2000/05/16	DATE 2000/05/16	TITLE SMA, JACK VERTICAL PCB SMT SMA-J/PCB, EWR-2107																				
ANGULAR ± 2 °		CHECKED BY TEF 2000/05/16	DATE 2000/05/16	DOCUMENT NO. SD-73251-135																				
MATERIAL NO. SEE TABLE		APPROVED BY GMH 2000/05/16	DATE 2000/05/16	SHEET NO. 1 OF 3																				

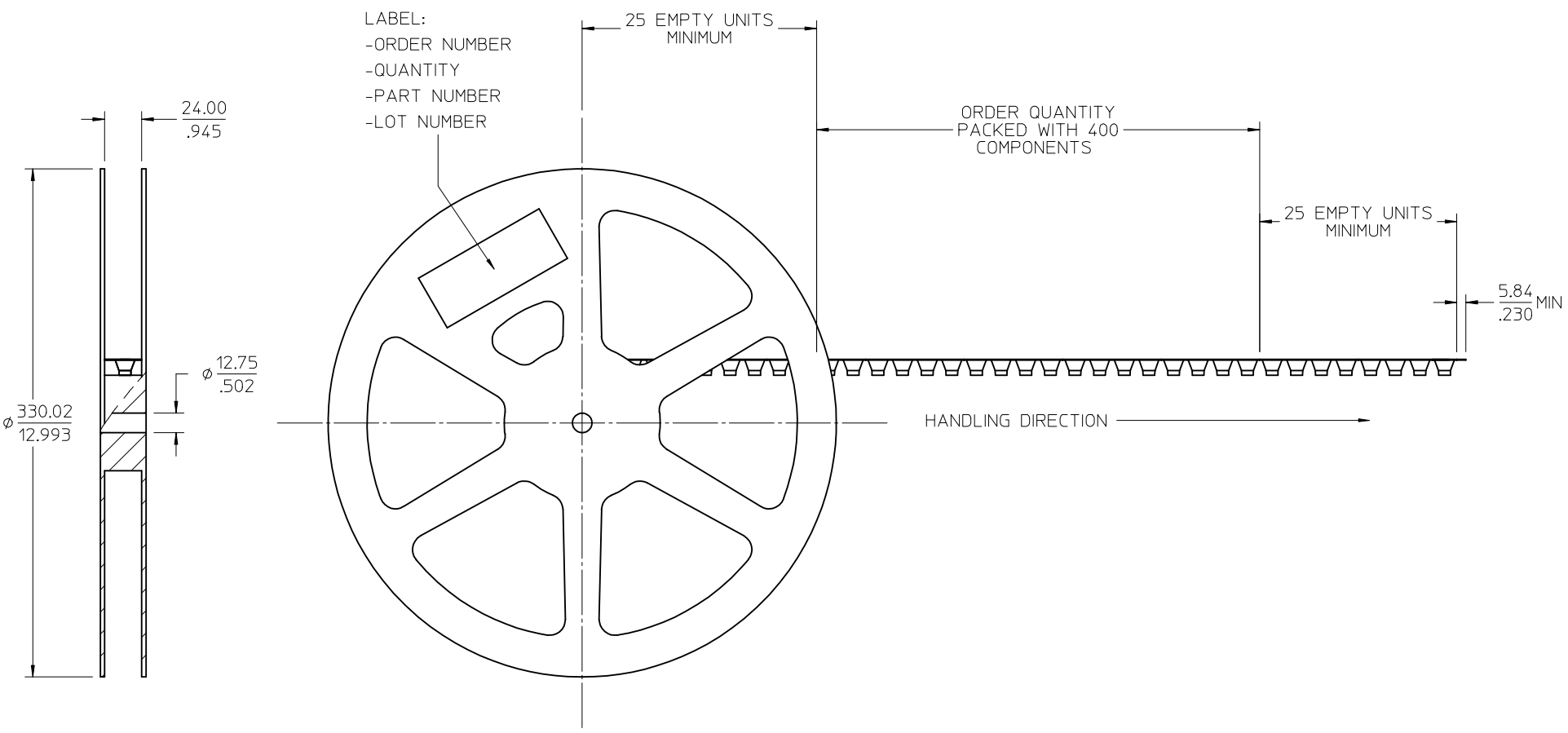
13 12 11 10 9 8 7 6 5 4 3 2 1

J I H G F E D C B A



CHG/SEE SHEET 1 EC NO: URF2016-0029 DRW: YEH 2015/07/16 CHKD: YEH APPR: YCHENG 2015/07/23	QUALITY SYMBOLS $\nabla = 0$ $\nabla = 0$ $\nabla = 0$	GENERAL TOLERANCES (UNLESS SPECIFIED) <table border="1"> <thead> <tr> <th></th> <th>mm</th> <th>INCH</th> </tr> </thead> <tbody> <tr> <td>4 PLACES</td> <td>± .005</td> <td>± .0002</td> </tr> <tr> <td>3 PLACES</td> <td>± .005</td> <td>± .0002</td> </tr> <tr> <td>2 PLACES</td> <td>± .005</td> <td>± .0002</td> </tr> <tr> <td>1 PLACE</td> <td>± .005</td> <td>± .0002</td> </tr> <tr> <td>0 PLACE</td> <td>± .005</td> <td>± .0002</td> </tr> </tbody> </table>		mm	INCH	4 PLACES	± .005	± .0002	3 PLACES	± .005	± .0002	2 PLACES	± .005	± .0002	1 PLACE	± .005	± .0002	0 PLACE	± .005	± .0002	DIMENSION STYLE MM/IN DRAWN BY: SSS DATE: 2000/05/16 CHECKED BY: TEF DATE: 2000/05/16 APPROVED BY: GMH DATE: 2000/05/16	SCALE: 4:1 DESIGN UNITS: METRIC THIRD ANGLE PROJECTION	TITLE: SMA, JACK VERTICAL PCB SMT SMA-J/PCB, EWR-2107 molex
		mm	INCH																				
	4 PLACES	± .005	± .0002																				
	3 PLACES	± .005	± .0002																				
2 PLACES	± .005	± .0002																					
1 PLACE	± .005	± .0002																					
0 PLACE	± .005	± .0002																					
	ANGULAR ± 2 ° DRAFT WHERE APPLICABLE MUST REMAIN WITHIN DIMENSIONS	MATERIAL NO.: SEE TABLE	DOCUMENT NO.: SD-73251-135	SHEET NO.: 2 OF 3																			
		SIZE: C THIS DRAWING CONTAINS INFORMATION THAT IS PROPRIETARY TO MOLEX INCORPORATED AND SHOULD NOT BE USED WITHOUT WRITTEN PERMISSION																					

1b_frame_C_P_AM_T Rev. G 2012/01/11 12 11 10 9 8 7 6 5 4 3 2 1



CHG:SEE SHEET 1 EC NO: URF2016-0029 DRW:RYEH 2015/07/16 CHKD: APPR:YCHENG 2015/07/23	QUALITY SYMBOLS ▽=0 ▽=0 ▽=0	GENERAL TOLERANCES (UNLESS SPECIFIED)		DIMENSION STYLE MM/IN		SCALE 1:2	DESIGN UNITS METRIC	THIRD ANGLE PROJECTION	
		4 PLACES ±	---	INCH	DRAWN BY SSS	DATE 2000/05/16	TITLE SMA, JACK VERTICAL PCB SMT SMA-J/PCB, EWR-2107 molex		
3 PLACES ±	---	---	CHECKED BY TEF	DATE 2000/05/16					
2 PLACES ±	---	---	APPROVED BY GMH	DATE 2000/05/16	MATERIAL NO.		DOCUMENT NO.		SHEET NO.
1 PLACE ±	---	---	ANGULAR ± 2 °		SEE TABLE		SD-73251-135		3 OF 3
0 PLACE ±	---	---	DRAFT WHERE APPLICABLE MUST REMAIN WITHIN DIMENSIONS		THIS DRAWING CONTAINS INFORMATION THAT IS PROPRIETARY TO MOLEX INCORPORATED AND SHOULD NOT BE USED WITHOUT WRITTEN PERMISSION				