

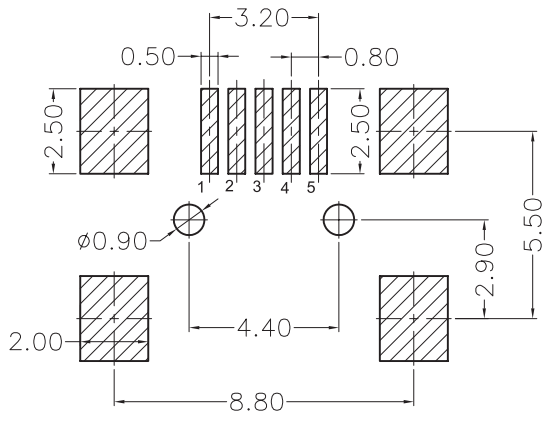
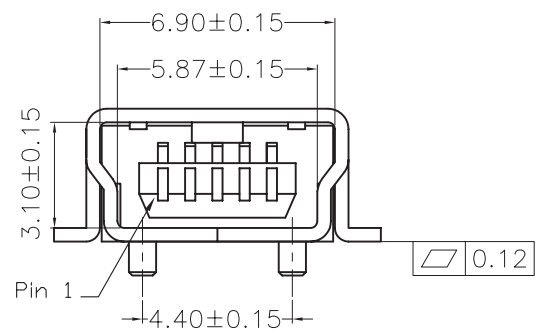
1

2

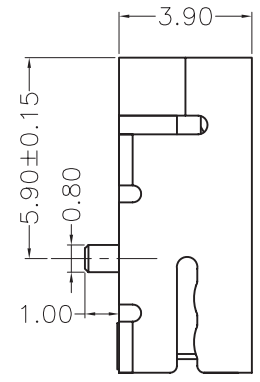
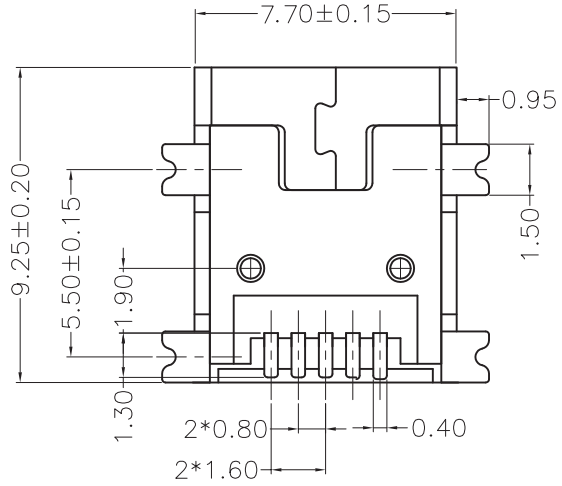
3

4

5



PCB LAYOUT - COMPONENT VIEW



TECHNICAL CHARACTERISTICS

MATERIAL
 INSULATOR: LCP
 FLAMABILITY RATING: UL94-V0
 COLOR: BLACK
 CONTACT MATERIAL: COPPER ALLOY
 CONTACT TYPE: STAMPED
 CONTACT PLATING: SELECTIVE GOLD
 SHIELDING: BRASS NI PLATED
 QUALITY CLASS: 1500 MATING CYCLES

ENVIRONMENTAL
 OPERATING TEMPERATURE: -40 UP TO 105°C
 COMPLIANCE: LEAD FREE AND ROHS

ELECTRICAL
 CURRENT RATING: 1A Max
 WORKING VOLTAGE: 30V
 INSULATOR RESISTANCE: >1000 MOHM
 DIELECTRIC WITHSTANDING VOLTAGE: 750V AC/MN
 CONTACT RESISTANCE: 20 mOHM MAX

STANDARD
 CERTIFIED: E323964 / MODEL NUMBER 651 005 161 21

SOLDERING
 REFLOW PROCESS ONLY

PACKAGING
 TAPE & REEL WITH MYLAR

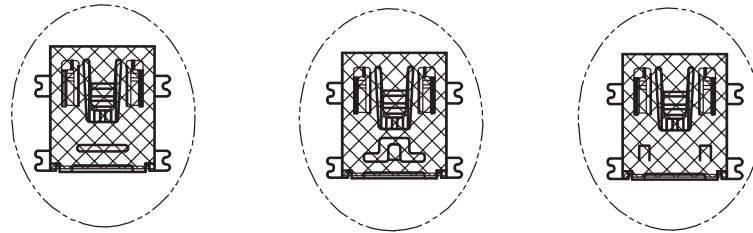
RoHS Compliant				PROJECTION: 	GENERAL TOLERANCE .X = +/- 0.2 .XX = +/- 0.15		
G	08-NOV-11	CURRENT RATING	GG				
F	22-JUN-11	CURRENT RATING	GG				
E	29-APR-11	PACKAGING	GG				
D	06-APR-11	DIMENSION	GG	APPROVAL: RJ	UNIT: MM	DESCRIPTION: MINI USB 2.0 SMT TYPE B 5 CONTACTS	SIZE A4
C	15-FEB-10	PACKAGING T & R	JP		SCALE:		
B	09-DEC-09	STANDARD	JP		SHEET: 1/2	WERI PART NO: 651 005 161 21	
H	18-FEB-13	DESIGNATION	AR		DRAW: PEARL		
REV	DATE	FILE	BY				

A

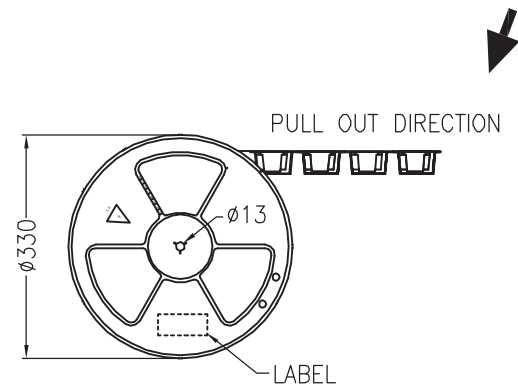
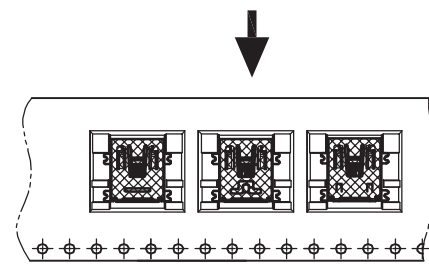
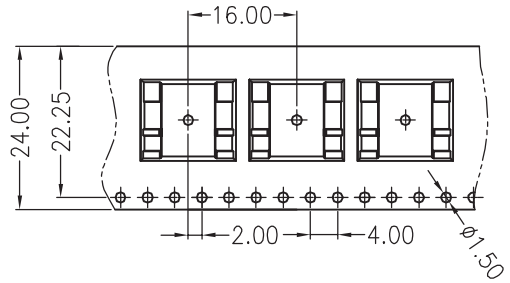
B

C

D



7.60
9.05
Mylar:T=0.04mm



A
B
C

RoHS Compliant				PROJECTION: 	GENERAL TOLERANCE .X = +/- 0.2 .XX = +/- 0.15		DESCRIPTION: MINI USB SMT TYPE B 5 CONTACTS	SIZE A4
				APPROVAL: RJ	UNIT: MM	DESCRIPTION: MINI USB SMT TYPE B 5 CONTACTS		SIZE A4
					SCALE:	WERI PART NO: 651 005 161 21		
REV	DATE	FILE	BY		SHEET: 2/2			
					DRAW: PEARL			

D