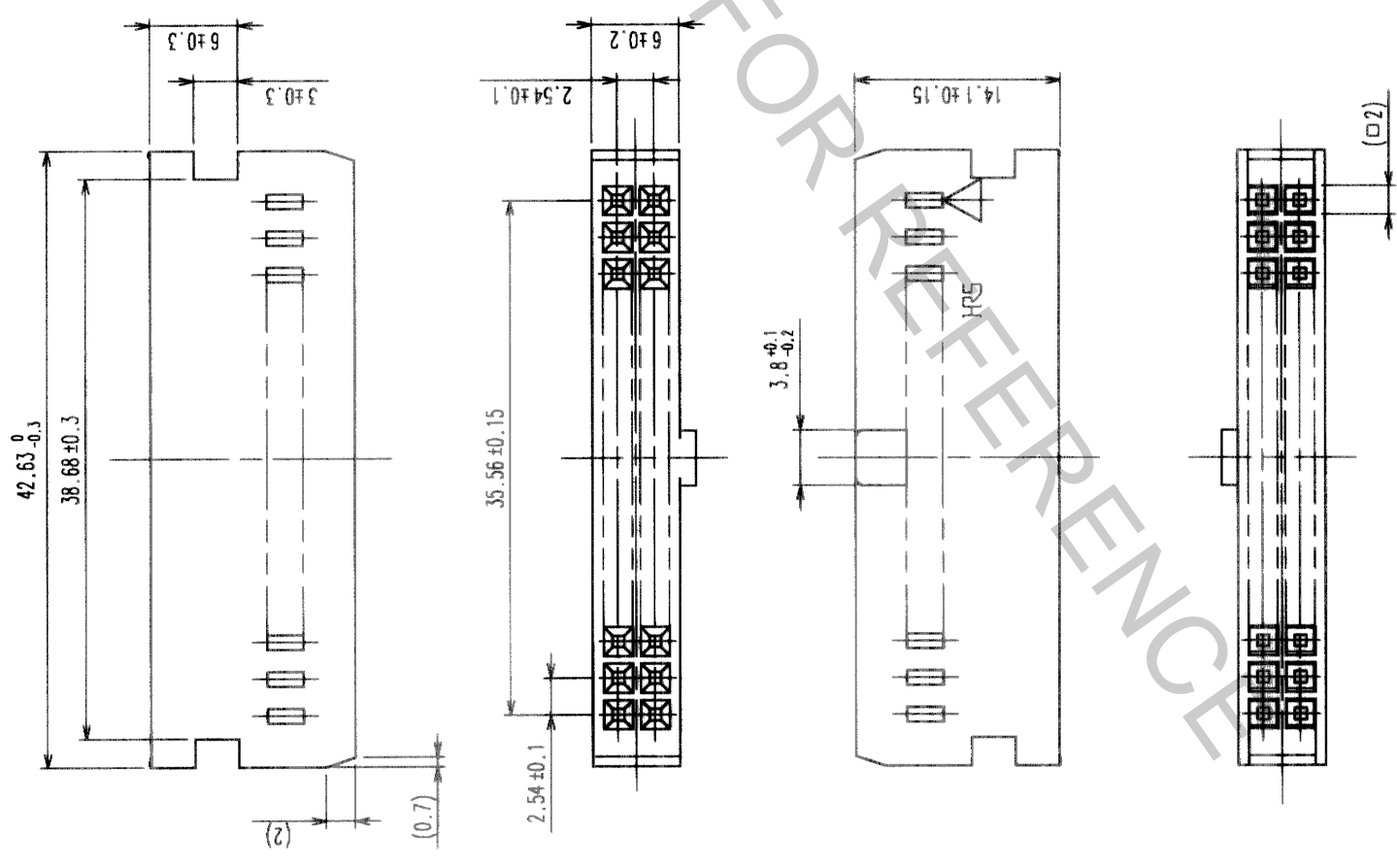


3 In case that the application demands a high level of reliability, such as automotive, please contact a company representative for further information.

6		7		8				
COUNT	DESCRIPTION OF REVISIONS	BY	CHKD	DATE	DESCRIPTION OF REVISIONS	BY	CHKD	DATE
△								
△								
△								



HRS DRAWING FOR REFERENCE

TO	
PCK	

NO.	MATERIAL	FINISH, REMARKS	PBT	MATERIAL	FINISH, REMARKS
1			BLACK	UL94V-0	

CODE NO. (OLD)	DRAWING NO.	PART NO.	FINISH, REMARKS	APPROVED	RELEASED
	EDC3-016330	HIF3C-30D-2.54C		<i>J. Yamada</i>	
	SCALE 2:1			<i>H. Okano</i>	
	UNITS mm			<i>00-04-18</i>	
				<i>00-04-19</i>	

DRAWING NO.	EDC3-016330	PART NO.	HIF3C-30D-2.54C
SCALE	2:1	CODE NO.	CL562-0109-7
UNITS	mm		

HRS HIROSE ELECTRIC CO., LTD.