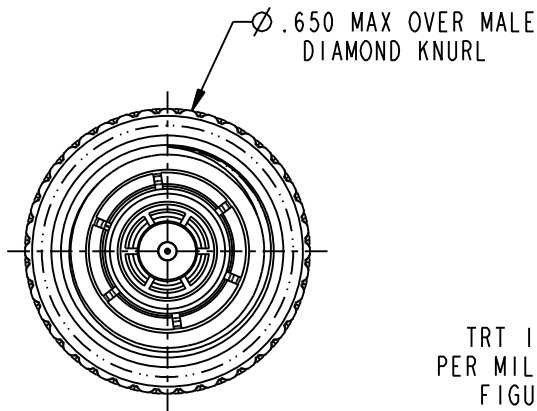
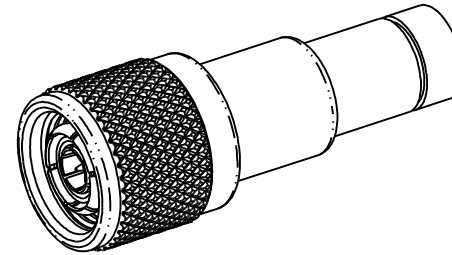


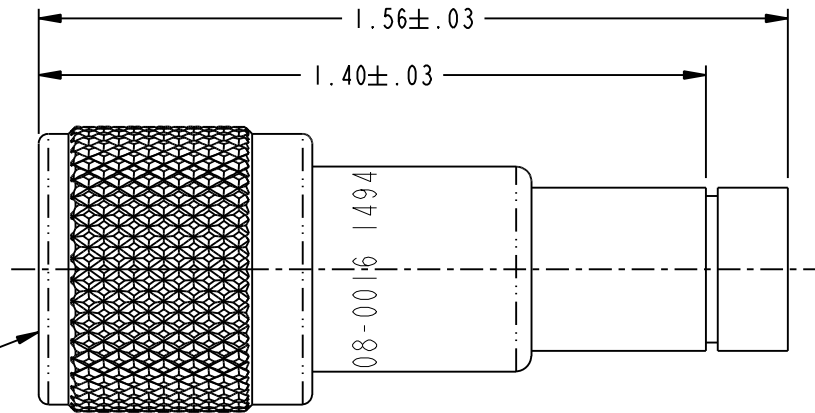
TABLE 1

MILITARY PART NO.	MILITARY CABLE NO.	TROMPETER MODEL NO.	ASSEMBLE PER	NSN
M49142/08-0016	M17/45-RG168 M17/186-00001	3-0329-213	TAI-201	—
M49142/08-0017	M17/176-00002	3-0329-201	TAI-201	5925015084719

REV	ECO	DATE
D	52751	11/11/2011
E	55159	9/2/2014
F	55758	7/17/2015



TRT INTERFACE
PER MIL-STD-348
FIGURE 202-1



3-0329-201 SHOWN

NOTES: UNLESS OTHERWISE SPECIFIED.

1. MATERIAL & FINISH:

- 1.1 BODY, FINGER SPRING, CRIMP FERRULE, CRIMP SLEEVE & INSERT: SILVER PLATED BRASS
- 1.2 INSULATOR: PTFE (TEFLON)
- 1.3 INTERMEDIATE CONTACT: GOLD PLATED BERYLLIUM COPPER
- 1.4 DIELECTRIC: PTFE (TEFLON)
- 1.5 CENTER CONTACT: GOLD PLATED BRASS
- 1.6 GASKET: SILICONE RUBBER

2. ELECTRICAL:

- 2.1 FREQUENCY (MAX): 500 MHz
- 2.2 IMPEDANCE: NON-CONSISTENT

<p>This PROPRIETARY Document is property of Cinch Connectivity Solutions. It is confidential in nature, non-transferable, and issued with the clear understanding that it is no trace or copied without permission and is returnable upon demand.</p> <p>INTERPRET DRAWING IN ACCORDANCE WITH ASME Y14.5-2009.</p>	Model No:	3-0329-XXX	Title: TROMPETER		
	RoHS2	2011/65/EU	Cage Code	14949	
	UNLESS OTHERWISE SPECIFIED UNITS: INCH		3RD ANGLE PROJECTION	Drawing No. M49142/08 TOOL CRIMP TRT PLUG	
	.XX ± .02 .XXX ± .010 ANGLES ± 2°		Drawn By: C. WALLACE	Rev. 3-0329 F	
		Date: 8/3/2015	Size A	DO NOT SCALE DRAWING	
		Workmanship Std: TFS-4		Sheet 1 OF 1	