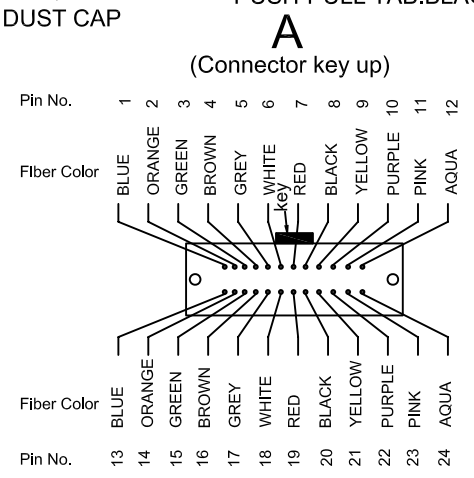
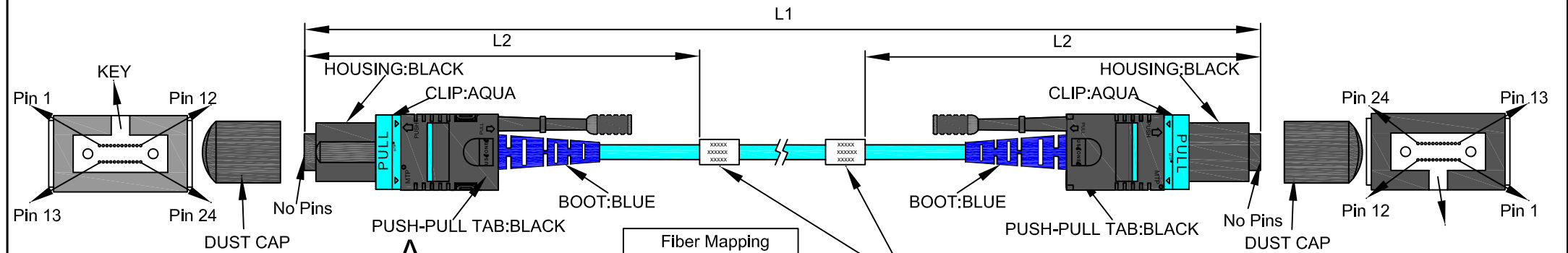


REV	Updated Description	Updated Date	Approved
A/B	Add MTP Push Pull tabs .	09-17-2014	CSM



Fiber Mapping	
key up	key down
A	B
1 BLUE	13
2 ORANGE	14
3 GREEN	15
4 BROWN	16
5 GREY	17
6 WHITE	18
7 RED	19
8 BLACK	20
9 YELLOW	21
10 PURPLE	22
11 PINK	23
12 AQUA	24
13 BLUE	1
14 ORANGE	2
15 GREEN	3
16 BROWN	4
17 GREY	5
18 WHITE	6
19 RED	7
20 BLACK	8
21 YELLOW	9
22 PURPLE	10
23 PINK	11
24 AQUA	12

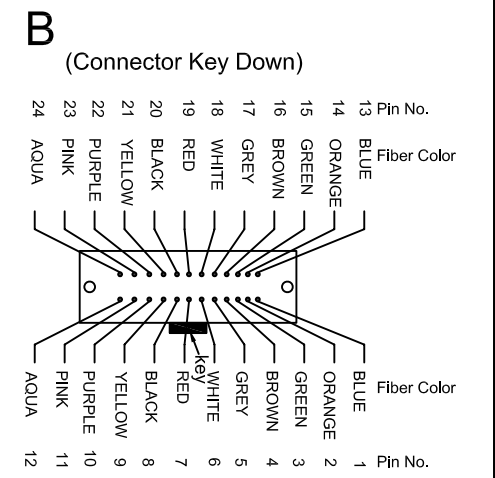
CABLE LABEL
(25mm*36mm/PVC)

www.triplite.com
MTP-MTP,100GB 24F
xxxxBWWN846xxM24P00001

Part No.:N846-L1-24-P
Length: 01M ,05M...10M...
Serial Number:
xxxxBWWN846xxM24P00001

xx:Plant
x:Rev.
xx:Week
xx:Year

L1 Length	Error: ΔL	L2 Length
L1 < 0.5 m	0 ≤ ΔL ≤ 50mm	have one label in the middle of cable
0.5m ≤ L1 < 1m	0 ≤ ΔL ≤ 50mm	100 ± 10mm
1m ≤ L1 ≤ 10m	-50 ≤ ΔL ≤ 100mm	240 ± 10mm
L1 > 10m	-50 ≤ ΔL ≤ %1	240 ± 10mm



Specification:

1	Connector A/B	24F MTP/PC (Female) (Push Pull Tabs)		
2	Insertion Loss	≤0.6dB (λ =850nm)		
3	Cable Type	24 Strand Cable , MM50/125 (OM3) , Round 3.0mm Jacket		
4	Cable Parameters	Items	Specifications	
		Fiber Count	24	
		Tight Buffered Fiber	Coating Diameter	245±10μm
			Color	2x12 Colors
			Diameter	2.9±0.1mm
		Outer Jacket	Material	OFNP
			Color	AQUA
			Min.Bend Radius (Dynamic)	mm
		Min.Bend Radius (Static)	mm	10D
		Operate Temperature	°C	-20~+60
Storage of Temperature	°C	-20~+60		
Attenuation(Max.)	850nm	2.5dB/Km		
	1300nm	0.7dB/Km		



	NAME: 100/120GbE CXP 24F MTP w/ Pull Tabs			
	UNIT: mm	PART NO.: N846-xxM-24-P		
MAT'L:	DR: CZQ	09-17-2014	TITLE: 100GBASE-SR10, 24 strand, Plenum, MTP-MTP (F-F) key-up to key-down w/ Push Pull Tabs .	
	CHK: CHD	09-17-2014	DWG NO.: 99TL/TI-151070	
Q'TY:	APPD: CSM	09-17-2014	PAGE 1/1	Rev. B RoHS