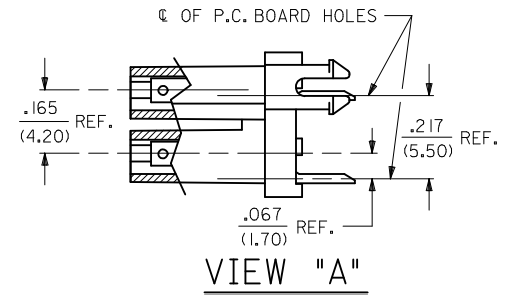
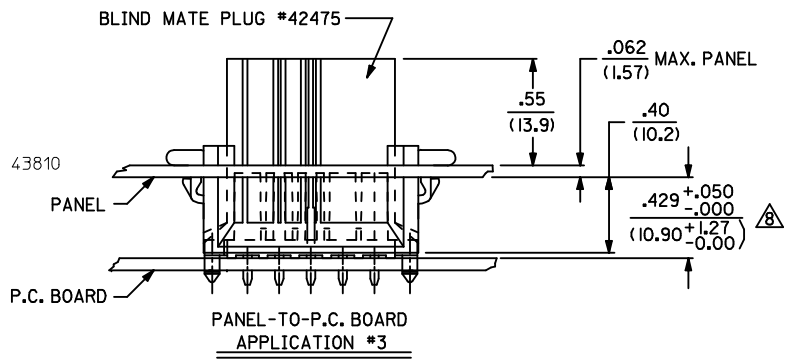
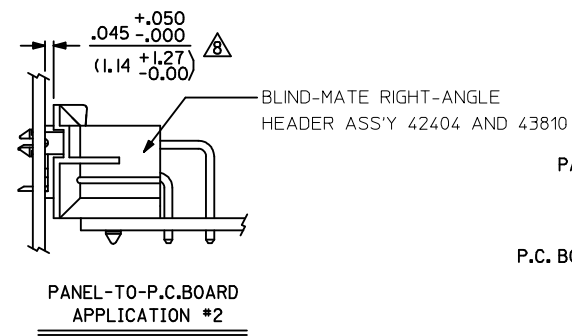
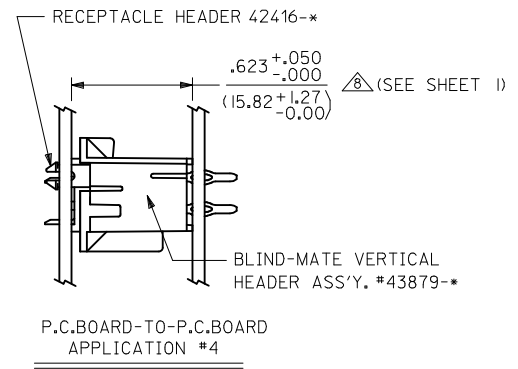
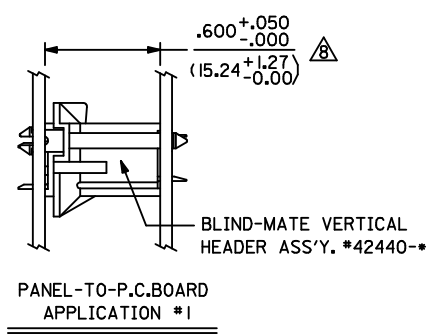
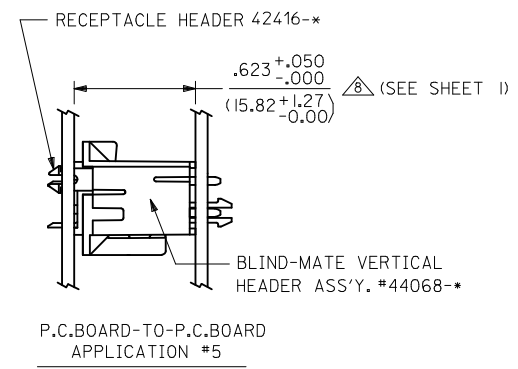
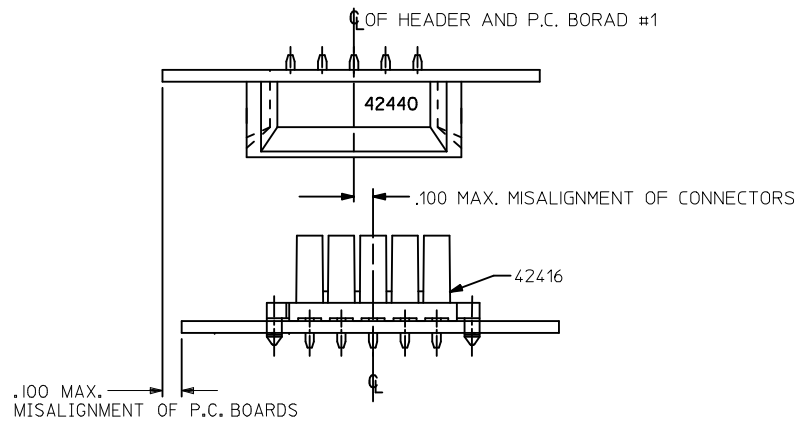


- NOTES:**
- HOUSING MATERIAL:
A = NYLON 6/6, UNFILLED U.L. 94V-2, COLOR: NATURAL.
B = NYLON 6/6, UNFILLED U.L. 94V-0, COLOR: NATURAL.
TERMINAL MATERIAL: BRASS.
 - TERMINAL PLATING:
A - .000100/(.00254) MIN. MATTE TIN OVER
.000050/(.00127) MIN. NICKEL OVERALL.
 - PRODUCT SPECIFICATION: PS-5556-002
 - PACKAGING SPECIFICATION: PK-42385-999.
 - PART MATES WITH MINI-FIT JR. PLUG 42475 AND HEADERS 42404, 42440, 43810, 43879, AND 44068.
DIMENSION TO BE USED FOR ALIGNMENT OF CIRCUIT #1 OF MATING CONNECTOR
 - PHANTOM LINES INDICATE AREAS WHERE TERMINAL STANDOFFS CONTACT P.C. BOARD.
A MAXIMUM TOLERANCE OF .050/(1.27) ALLOWS FOR 2 POINTS OF ELECTRICAL CONTACT. A MAXIMUM TOLERANCE OF .020/(.51) ALLOWS FOR 4 POINTS OF CONTACT.
 - .016 IN/IN OR .016 MM/MM MAX. BOW ALLOWABLE AT DATUM -C-.
 - RIB MAY NOT BE PRESENT ON ALL PARTS
 - THIS CONNECTOR NOT DESIGNED FOR CURRENT SHARING.
 - CONNECTOR ASSEMBLIES ARE NOT TO BE MATED OR UNMATED WHILE CIRCUITS ARE LIVE.
 - WHEN THIS PRODUCT IS USED IN A BLIND MATING APPLICATION, THE SYSTEM LEVEL DESIGN MUST INCORPORATE GUIDANCE SO THE CONNECTORS ARE WITHIN THE CAPTURE ENVELOPE (UP TO (.100/2.54) MISALIGNMENT) OF THE FLANGES ON THE HEADER OR PLUG HOUSING AND CAN THUS ALIGN THEMSELVES AS THEY COME TOGETHER. FLOAT IS ALSO REQUIRED IN THE OVERALL DESIGN TO ALLOW THE PCB RECEPTACLE OR ITS MATE TO MOVE INTO A STRESS-FREE POSITION AFTER MATING. IN BOARD TO BOARD APPLICATIONS ONLY ONE HEADER IS ALLOWED PER PC BOARD.
 - PARTS CONFORM TO CLASS 'B' REQUIREMENTS OF COSMETIC SPECIFICATION PS-45499-002.
 - IT IS RECOMMENDED TO USE THE 42475 SERIES MATING PART NUMBER WITHOUT TERMINALS TO AID IN PCB INSERTION. INSERT THE 42416 PART INTO THE 42475 PART AND THEN INSERT INTO THE PCB.



CIRCUIT SIZE	DIM. "A"	DIM. "B"	DIM. "C"
2	—	.21 (5.4)	.370 (9.40)
4	.165 (4.20)	.38 (9.6)	.535 (13.60)
6	.331 (8.40)	.54 (13.8)	.701 (17.80)
8	.496 (12.60)	.71 (18.0)	.866 (22.00)
10	.661 (16.80)	.87 (22.2)	1.031 (26.20)
12	.827 (21.00)	1.04 (26.4)	1.197 (30.40)
14	.992 (25.20)	1.20 (30.6)	1.362 (34.60)
16	1.157 (29.40)	1.37 (34.8)	1.528 (38.80)
18	1.323 (33.60)	1.54 (39.0)	1.693 (43.00)
20	1.488 (37.80)	1.70 (43.2)	1.858 (47.20)
22	1.654 (42.00)	1.87 (47.4)	2.024 (51.40)
24	1.819 (46.20)	2.03 (51.6)	2.189 (55.60)

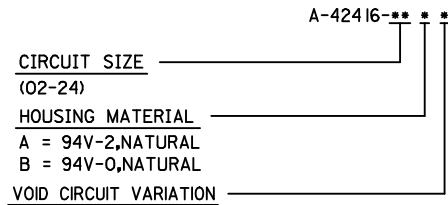
ADD 0.40 TOL EC NO: UCP2013-0706 DRW: NGUYEN CHKD: BELL APPR: FSMITH P3	QUALITY SYMBOLS 	GENERAL TOLERANCES (UNLESS SPECIFIED)		DIMENSION STYLE IN/MM		SCALE 4:1	DESIGN UNITS METRIC	THIRD ANGLE PROJECTION		
		mm		INCH		DRAWN BY RJF	DATE 01-25-89	SELECTIVELY LOADED RECEPTACLE HEADER ASSY (MINI-FIT JR. SERIES) molex SDA-42416-* SHEET NO. 1 OF 3		
		4 PLACES ± --- ± ---		3 PLACES ± --- ± .010		CHECKED BY BAP	DATE 01-25-89			
		2 PLACES ± 0.25 ± .015		1 PLACE ± 0.38 ± ---		APPROVED BY RAS	DATE 01-25-89			
0 PLACE ± ±		ANGULAR ±1/2°		MATERIAL NO. SEE CHART		DOCUMENT NO. SDA-42416-*				
DRAFT WHERE APPLICABLE MUST REMAIN WITHIN DIMENSIONS										



SEE SHEET 1 IEC NO: UCP2013-0706 DRW: NGUYEN 2012/08/23 CHKD: BELLE 2012/08/23 APPR: FSMITH 2012/09/05 P3	QUALITY SYMBOLS	GENERAL TOLERANCES (UNLESS SPECIFIED)	DIMENSION STYLE	SCALE	DESIGN UNITS	THIRD ANGLE PROJECTION																		
	$\nabla = 0$ $\nabla = 0$ $\nabla = 0$	<table border="1"> <tr> <th></th> <th>mm</th> <th>INCH</th> </tr> <tr> <td>4 PLACES</td> <td>± .01</td> <td>± .0005</td> </tr> <tr> <td>3 PLACES</td> <td>± .015</td> <td>± .0008</td> </tr> <tr> <td>2 PLACES</td> <td>± .025</td> <td>± .0015</td> </tr> <tr> <td>1 PLACE</td> <td>± .038</td> <td>± .0015</td> </tr> <tr> <td>0 PLACE</td> <td>± .050</td> <td>± .0020</td> </tr> </table>		mm	INCH	4 PLACES	± .01	± .0005	3 PLACES	± .015	± .0008	2 PLACES	± .025	± .0015	1 PLACE	± .038	± .0015	0 PLACE	± .050	± .0020	IN/MM	4:1	METRIC	
		mm	INCH																					
	4 PLACES	± .01	± .0005																					
3 PLACES	± .015	± .0008																						
2 PLACES	± .025	± .0015																						
1 PLACE	± .038	± .0015																						
0 PLACE	± .050	± .0020																						
DESCRIPTION	DRAFT WHERE APPLICABLE MUST REMAIN WITHIN DIMENSIONS	<table border="1"> <tr> <td>DRAWN BY</td> <td>DATE</td> </tr> <tr> <td>CHECKED BY</td> <td>DATE</td> </tr> <tr> <td>APPROVED BY</td> <td>DATE</td> </tr> </table>	DRAWN BY	DATE	CHECKED BY	DATE	APPROVED BY	DATE	TITLE SELECTIVELY LOADED RECEPTACLE HEADER ASSY (MINI-FIT JR. SERIES)															
DRAWN BY	DATE																							
CHECKED BY	DATE																							
APPROVED BY	DATE																							
REV	ANGULAR ±1/2°	MATERIAL NO. SEE CHART	DOCUMENT NO. SDA-42416-*	SHEET NO. 2 OF 3																				

PART NO.	ENG. NO.	CKT. SIZE	HSG. MAT'L.	TERMINAL PLATING REQUIRED AT EACH CIRCUIT LOCATION: - = VOIDED CIRCUIT																							
				1	2	3	4	5	6	7	8	9	10	11	12	13	14	15	16	17	18	19	20	21	22	23	24
I5-24-8141	A-42416-14BA	14	94V-0	-	A	-	A	-	A	-	A	-	-	A	-	-	A	-	-	-	-	-	-	-	-		
I5-24-8145	A-42416-14BB	14	94V-0	A	-	-	A	-	A	-	-	A	-	A	-	-	A	-	-	-	-	-	-	-	-		
I5-24-8151	A-42416-14BC	14	94V-0	A	-	-	A	-	A	A	-	A	-	A	-	A	A	-	-	-	-	-	-	-	-		
I5-24-8152	A-42416-14BD	14	94V-0	A	A	-	A	-	A	A	A	A	-	A	-	A	A	-	-	-	-	-	-	-	-		
I42416-0001	-----	06	94V-2	A	-	A	-	A	-	-	-	-	-	-	-	-	-	-	-	-	-	-	-	-	-		
I42416-0002	-----	10	94V-2	-	A	-	A	-	A	-	A	A	A	-	-	-	-	-	-	-	-	-	-	-	-		
I42416-0003	-----	06	94V-0	A	-	A	A	-	A	-	-	-	-	-	-	-	-	-	-	-	-	-	-	-	-		
I42416-0004	-----	24	94V-2	-	-	A	A	A	A	A	A	A	A	A	A	A	A	A	A	A	A	A	A	A	A		
H42416-0005	-----	14	94V-0	A	V	A	V	A	V	A	A	V	A	V	A	V	A	-	-	-	-	-	-	-	-		
H42416-0006	-----	18	94V-0	A	V	V	A	V	V	A	A	A	A	V	V	A	V	V	A	A	A	-	-	-	-		

LEGEND:



SEE SHEET 1 EC NO: UCP2013-0706 DRW: NGUYEN 2012/08/23 CHKD: BELL 2012/08/23 APPR: FSMITH 2012/09/05 P3	QUALITY SYMBOLS ▽=0 ▽=0 ▽=0	GENERAL TOLERANCES (UNLESS SPECIFIED) mm INCH 4 PLACES ±.--- ±.--- 3 PLACES ±.--- ±.010 2 PLACES ±0.25 ±.015 1 PLACE ±0.38 ±.--- 0 PLACE ± ±	DIMENSION STYLE IN/MM DRAWN BY DATE RJF 01-25-89 CHECKED BY DATE BAP 01-25-89 APPROVED BY DATE RAS 01-25-89	SCALE 1:1 DESIGN UNITS METRIC THIRD ANGLE PROJECTION	TITLE SELECTIVELY LOADED RECEPTACLE HEADER ASSY (MINI-FIT JR. SERIES) molex
	ANGULAR ±1/2° DRAFT WHERE APPLICABLE MUST REMAIN WITHIN DIMENSIONS	MATERIAL NO. SEE CHART	DOCUMENT NO. SDA-42416-*	SHEET NO. 3 OF 3	
	THIS DRAWING CONTAINS INFORMATION THAT IS PROPRIETARY TO MOLEX INCORPORATED AND SHOULD NOT BE USED WITHOUT WRITTEN PERMISSION				