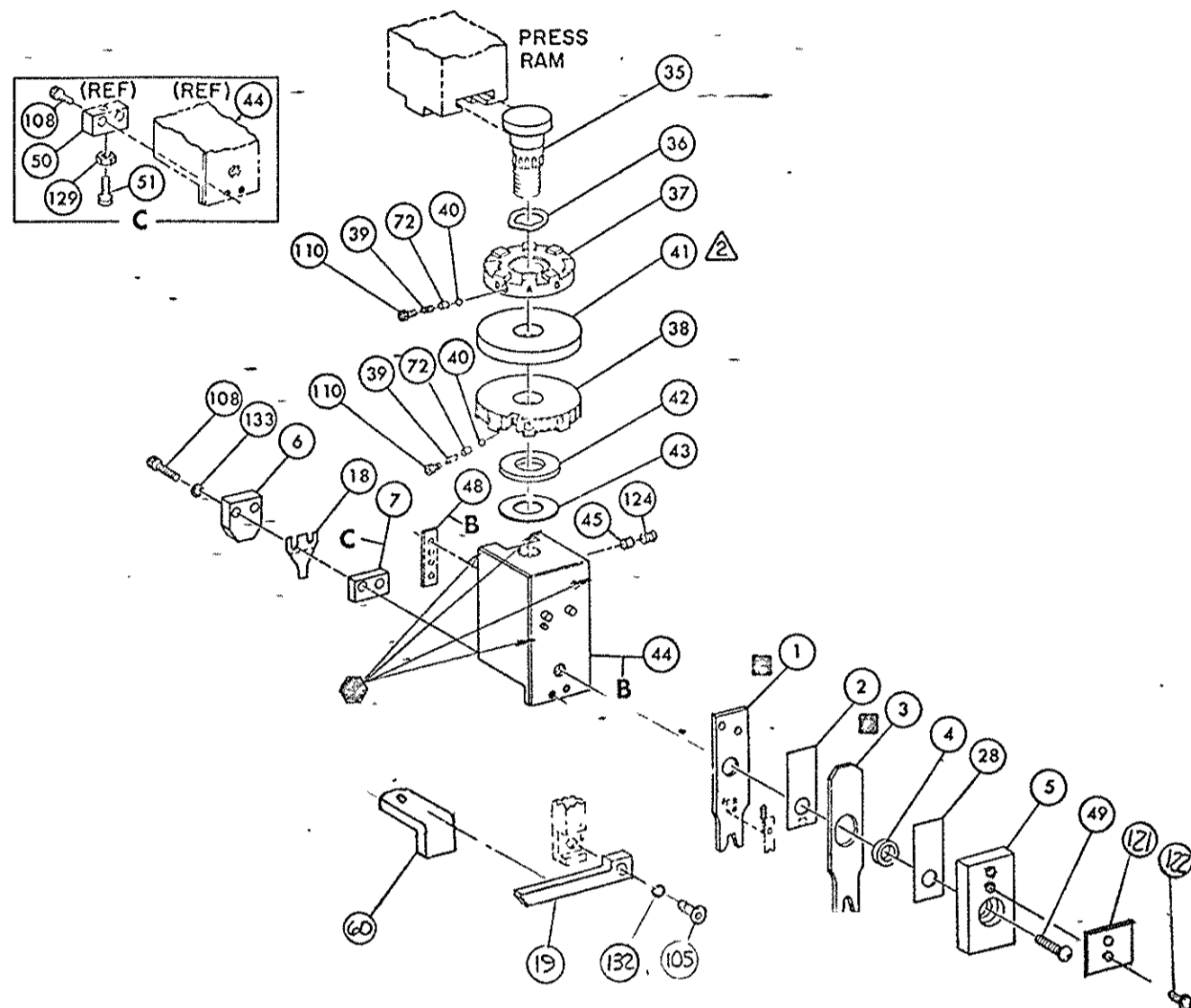
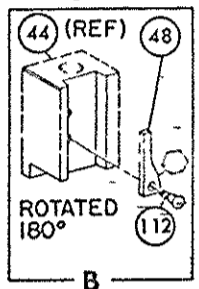


THIS DRAWING IS A CONTROLLED DOCUMENT FOR AMP INCORPORATED. IT IS SUBJECT TO CHANGE AND THE CONTROLLING ENGINEERING ORGANIZATION SHOULD BE CONTACTED FOR THE LATEST REVISION.

THIS IS A CONTROLLED DOCUMENT.



SPECIAL PRE-FEED 5/8" STROKE



**NOTES:**

1- ONLY THE ITEMS WITH QUANTITIES SPECIFIED ON PARTS LIST ARE USED ON THIS APPLICATOR.

△ USED IN PLACE OF ITEM 38 WHEN INSULATION CRIMP IS NOT USED.

3-FEED PIVOT-HOLE

△ CUT TO LENGTH AT ASSEMBLY.

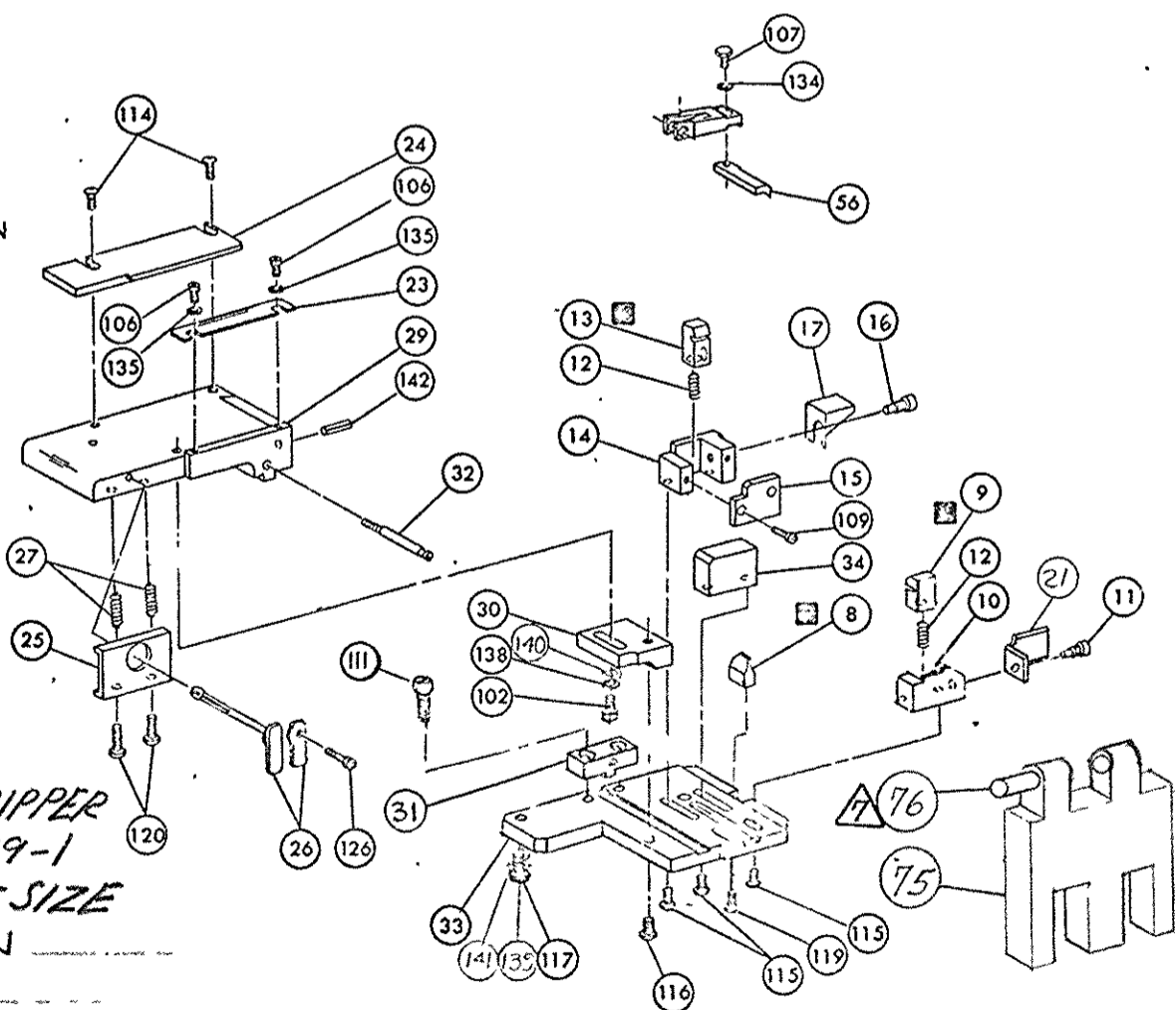
△ PART NOT ON PRINT

□ -RECOMMENDED SPARE PARTS

○ -GREASE WEEKLY

△ SEE REMARKS

△ REPLACE LEFT GRIPPER AIR CYL PIN 462639-1 FOR GREATER WIRE SIZE IF USED ON S.C. PN 463345-1 OR -2.



QTY	PART NO	DESCRIPTION	QTY	PART NO	DESCRIPTION
1	4-21028-0	PIN, SLOT SPR (.093 DIA X .75) STR G PLATE	REF	694433-8	PAVL FEED
1	21899-2	WASHER, FLAT (NO 19) MOUNTING			
1	21899-2	WASHER, FLAT (NO 2) S G ADJ BLOCK			
1	21024-5	WASHER, LOCK (NO 10) MOUNTING			
1	21024-5	WASHER, LOCK (NO 10) STRIP GUIDE ADJ BLOCK			
2	21057-2	WASHER, LOCK (NO 4) FRONT STRIP GUIDE			
REF	21024-4	WASHER, LOCK (NO 8) FEED FINGER			
2	21024-4	WASHER, LOCK (NO 8) DEPRESSOR			
REF	21024-4	WASHER, LOCK (NO 8) STRIP DEP			
1	21068-5	NUT, HEX MACH (6-32) HOLDDOWN			
2	22353-8	SCR, SHLD. (187 DIA X .250 LG) DRAG LEVER			
1	21009-2	SCR, SKT SET (1/4-20 X .25) (LOC-WEL) RAM			
2	21017-2	SCR, DRIVE (# 2 X .188 LG)			
1	819347-1	PLATE, I.D.			
2	3-21002-0	SCR, BUT HD SKT CAP (10-32 X .66) DRAG			
1	22733-8	SCR, BUT HD SKT CAP (8-32 X .38) (LOC-WEL) ANVIL			
1	3-21000-8	SCR, SKT HD SKT CAP (10-32 X .88) MOUNTING			
1	2-22733-1	SCR, BUT HD SKT CAP (10-32 X .50) SG ADJ BLOCK			
4	22733-9	SCR, BUT HD SKT CAP (8-32 X .50) SHEAR			
2	2-21002-2	SCR, BUT HD SKT CAP (8-32 X .50) R STRIP GUIDE			
1	1-21002-7	SCR, BUT HD SKT CAP (6-32 X .50) CAM			
2	2-21000-7	SCR, SKT HD CAP (8-32 X .50) SCR. BLOCK			
2	23030-1	SCR, SKT HD CAP (6-32 X .25) (LOC-WEL) CP DISC			
2	2-21000-8	SCR, SKT HD CAP (8-32 X .57) REAR SHEAR PLATE			
REF	2-21002-1	SCR, BUT HD MACH (8-32 X .38) FEED FINGER			
2	1-21000-3	SCR, SKT HD CAP (4-40 X .25) F STRIP GUIDE			
REF	2-21002-1	SCR, BUT HD CAP (8-32 X .36) STRIPPER			
1	3-22603-1	SCR, HEX HD CAP (10-32 X .38) SG ADJ BLOCK			
2	463310-3	BLADE, STRIPPING (#16)			
REF	684520-1	GRIPPER CYLINDER SUB ASSY.			
REF	813204-1	MOUNT STRIPPER			
2	690603-1	SPRING, ASSIST			

QTY	PART NO	DESCRIPTION	QTY	PART NO	DESCRIPTION
1	463310-3	BLADE, STRIPPING (#16)			
REF	684520-1	GRIPPER CYLINDER SUB ASSY.			
REF	813204-1	MOUNT STRIPPER			
2	690603-1	SPRING, ASSIST			
1	3-22603-1	SCR, HEX HD CAP (10-32 X .38) SG ADJ BLOCK			
2	463310-3	BLADE, STRIPPING (#16)			
REF	684520-1	GRIPPER CYLINDER SUB ASSY.			
REF	813204-1	MOUNT STRIPPER			
2	690603-1	SPRING, ASSIST			
1	3-22603-1	SCR, HEX HD CAP (10-32 X .38) SG ADJ BLOCK			
2	463310-3	BLADE, STRIPPING (#16)			
REF	684520-1	GRIPPER CYLINDER SUB ASSY.			
REF	813204-1	MOUNT STRIPPER			
2	690603-1	SPRING, ASSIST			
1	3-22603-1	SCR, HEX HD CAP (10-32 X .38) SG ADJ BLOCK			
2	463310-3	BLADE, STRIPPING (#16)			
REF	684520-1	GRIPPER CYLINDER SUB ASSY.			
REF	813204-1	MOUNT STRIPPER			
2	690603-1	SPRING, ASSIST			
1	3-22603-1	SCR, HEX HD CAP (10-32 X .38) SG ADJ BLOCK			
2	463310-3	BLADE, STRIPPING (#16)			
REF	684520-1	GRIPPER CYLINDER SUB ASSY.			
REF	813204-1	MOUNT STRIPPER			
2	690603-1	SPRING, ASSIST			
1	3-22603-1	SCR, HEX HD CAP (10-32 X .38) SG ADJ BLOCK			
2	463310-3	BLADE, STRIPPING (#16)			
REF	684520-1	GRIPPER CYLINDER SUB ASSY.			
REF	813204-1	MOUNT STRIPPER			
2	690603-1	SPRING, ASSIST			
1	3-22603-1	SCR, HEX HD CAP (10-32 X .38) SG ADJ BLOCK			
2	463310-3	BLADE, STRIPPING (#16)			
REF	684520-1	GRIPPER CYLINDER SUB ASSY.			
REF	813204-1	MOUNT STRIPPER			
2	690603-1	SPRING, ASSIST			
1	3-22603-1	SCR, HEX HD CAP (10-32 X .38) SG ADJ BLOCK			
2	463310-3	BLADE, STRIPPING (#16)			
REF	684520-1	GRIPPER CYLINDER SUB ASSY.			
REF	813204-1	MOUNT STRIPPER			
2	690603-1	SPRING, ASSIST			
1	3-22603-1	SCR, HEX HD CAP (10-32 X .38) SG ADJ BLOCK			
2	463310-3	BLADE, STRIPPING (#16)			
REF	684520-1	GRIPPER CYLINDER SUB ASSY.			
REF	813204-1	MOUNT STRIPPER			
2	690603-1	SPRING, ASSIST			
1	3-22603-1	SCR, HEX HD CAP (10-32 X .38) SG ADJ BLOCK			
2	463310-3	BLADE, STRIPPING (#16)			
REF	684520-1	GRIPPER CYLINDER SUB ASSY.			
REF	813204-1	MOUNT STRIPPER			
2	690603-1	SPRING, ASSIST			
1	3-22603-1	SCR, HEX HD CAP (10-32 X .38) SG ADJ BLOCK			
2	463310-3	BLADE, STRIPPING (#16)			
REF	684520-1	GRIPPER CYLINDER SUB ASSY.			
REF	813204-1	MOUNT STRIPPER			
2	690603-1	SPRING, ASSIST			
1	3-22603-1	SCR, HEX HD CAP (10-32 X .38) SG ADJ BLOCK			
2	463310-3	BLADE, STRIPPING (#16)			
REF	684520-1	GRIPPER CYLINDER SUB ASSY.			
REF	813204-1	MOUNT STRIPPER			
2	690603-1	SPRING, ASSIST			
1	3-22603-1	SCR, HEX HD CAP (10-32 X .38) SG ADJ BLOCK			
2	463310-3	BLADE, STRIPPING (#16)			
REF	684520-1	GRIPPER CYLINDER SUB ASSY.			
REF	813204-1	MOUNT STRIPPER			
2	690603-1	SPRING, ASSIST			
1	3-22603-1	SCR, HEX HD CAP (10-32 X .38) SG ADJ BLOCK			
2	463310-3	BLADE, STRIPPING (#16)			
REF	684520-1	GRIPPER CYLINDER SUB ASSY.			
REF	813204-1	MOUNT STRIPPER			
2	690603-1	SPRING, ASSIST			
1	3-22603-1	SCR, HEX HD CAP (10-32 X .38) SG ADJ BLOCK			
2	463310-3	BLADE, STRIPPING (#16)			
REF	684520-1	GRIPPER CYLINDER SUB ASSY.			
REF	813204-1	MOUNT STRIPPER			
2	690603-1	SPRING, ASSIST			
1	3-22603-1	SCR, HEX HD CAP (10-32 X .38) SG ADJ BLOCK			
2	463310-3	BLADE, STRIPPING (#16)			
REF	684520-1	GRIPPER CYLINDER SUB ASSY.			
REF	813204-1	MOUNT STRIPPER			
2	690603-1	SPRING, ASSIST			
1	3-22603-1	SCR, HEX HD CAP (10-32 X .38) SG ADJ BLOCK			
2	463310-3	BLADE, STRIPPING (#16)			
REF	684520-1	GRIPPER CYLINDER SUB ASSY.			
REF	813204-1	MOUNT STRIPPER			
2	690603-1	SPRING, ASSIST			
1	3-22603-1	SCR, HEX HD CAP (10-32 X .38) SG ADJ BLOCK			
2	463310-3	BLADE, STRIPPING (#16)			
REF	684520-1	GRIPPER CYLINDER SUB ASSY.			
REF	813204-1	MOUNT STRIPPER			
2	690603-1	SPRING, ASSIST			
1	3-22603-1	SCR, HEX HD CAP (10-32 X .38) SG ADJ BLOCK			
2	463310-3	BLADE, STRIPPING (#16)			
REF	684520-1	GRIPPER CYLINDER SUB ASSY.			
REF	813204-1	MOUNT STRIPPER			
2	690603-1	SPRING, ASSIST			
1	3-22603-1	SCR, HEX HD CAP (10-32 X .38) SG ADJ BLOCK			
2	463310-3	BLADE, STRIPPING (#16)			
REF	684520-1	GRIPPER CYLINDER SUB ASSY.			
REF	813204-1	MOUNT STRIPPER			
2	690603-1	SPRING, ASSIST			
1	3-22603-1	SCR, HEX HD CAP (10-32 X .38) SG ADJ BLOCK			
2	463310-3	BLADE, STRIPPING (#16)			
REF	684520-1	GRIPPER CYLINDER SUB ASSY.			
REF	813204-1	MOUNT STRIPPER			
2	690603-1	SPRING, ASSIST			
1	3-22603-1	SCR, HEX HD CAP (10-32 X .38) SG ADJ BLOCK			
2	463310-3	BLADE, STRIPPING (#16)			
REF	684520-1	GRIPPER CYLINDER SUB ASSY.			
REF	813204-1	MOUNT STRIPPER			
2	690603-1	SPRING, ASSIST			
1	3-22603-1	SCR, HEX HD CAP (10-32 X .38) SG ADJ BLOCK			
2	463310-3	BLADE, STRIPPING (#16)			
REF	684520-1	GRIPPER CYLINDER SUB ASSY.			
REF	813204-1	MOUNT STRIPPER			
2	690603-1	SPRING, ASSIST			
1	3-22603-1	SCR, HEX HD CAP (10-32 X .38) SG ADJ BLOCK			
2	463310-3	BLADE, STRIPPING (#16)			
REF	684520-1	GRIPPER CYLINDER SUB ASSY.			
REF	813204-1	MOUNT STRIPPER			
2	690603-1	SPRING, ASSIST			
1	3-22603-1	SCR, HEX HD CAP (10-32 X .38) SG ADJ BLOCK			
2	463310-3	BLADE, STRIPPING (#16)			
REF	684520-1	GRIPPER CYLINDER SUB ASSY.			
REF	813204-1	MOUNT STRIPPER			
2	690603-1	SPRING, ASSIST			
1	3-22603-1	SCR, HEX HD CAP (10-32 X .38) SG ADJ BLOCK			
2	463310-3	BLADE, STRIPPING (#16)			
REF	684520-1	GRIPPER CYLINDER SUB ASSY.			
REF	813204-1	MOUNT STRIPPER			
2	690603-1	SPRING, ASSIST			
1	3-22603-1	SCR, HEX HD CAP (10-32 X .38) SG ADJ BLOCK			
2	463310-3	BLADE, STRIPPING (#16)			
REF	684520-1	GRIPPER CYLINDER SUB ASSY.			
REF	813204-1	MOUNT STRIPPER			
2	690603-1	SPRING, ASSIST			
1	3-22603-1	SCR, HEX HD CAP (10-32 X .38) SG ADJ BLOCK			
2	463310-3	BLADE, STRIPPING (#16)			
REF	684520-1	GRIPPER CYLINDER SUB ASSY.			
REF	813204-1	MOUNT STRIPPER			
2	690603-1	SPRING, ASSIST			
1	3-22603-1	SCR, HEX HD CAP (10-32 X .38) SG ADJ BLOCK			
2	463310-3	BLADE, STRIPPING (#16)			
REF	684520-1	GRIPPER CYLINDER SUB ASSY.			
REF	813204-1	MOUNT STRIPPER			
2	690603-1	SPRING, ASSIST			
1	3-22603-1	SCR, HEX HD CAP (10-32 X .38) SG ADJ BLOCK			
2	463310-3	BLADE, STRIPPING (#16)			
REF	684520-1	GRIPPER CYLINDER SUB ASSY.			
REF	813204-1	MOUNT STRIPPER			
2	690603-1	SPRING, ASSIST			
1	3-22603-1	SCR, HEX HD CAP (10-32 X .38) SG ADJ BLOCK			
2	463310-3	BLADE, STRIPPING (#16)			
REF	684520-1	GRIPPER CYLINDER SUB ASSY.			
REF	813204-1	MOUNT STRIPPER			
2	690603-1	SPRING, ASSIST			
1	3-22603-1	SCR, HEX HD CAP (10-32 X .38) SG ADJ BLOCK			
2	463310-3	BLADE, STRIPPING (#16)			
REF	684520-1	GRIPPER CYLINDER SUB ASSY.			
REF	813204-1	MOUNT STRIPPER			
2	690603-1	SPRING, ASSIST			
1	3-22603-1	SCR, HEX HD CAP (10-32 X .38) SG ADJ BLOCK			
2	463310-3	BLADE, STRIPPING (#16)			
REF	684520-1	GRIPPER CYLINDER SUB ASSY.			
REF	813204-1	MOUNT STRIPPER			
2	690603-1	SPRING, ASSIST			
1	3-22603-1	SCR, HEX HD CAP (10-32 X .38) SG ADJ BLOCK			
2	463310-3	BLADE, STRIPPING (#16)			
REF	684520-1	GRIPPER CYLINDER SUB ASSY.			
REF	813204-1	MOUNT STRIPPER			
2	690603-1	SPRING, ASSIST			
1	3-22603-1	SCR, HEX HD CAP (10-32 X .38) SG ADJ BLOCK			
2	463310-3	BLADE, STRIPPING (#16)			
REF	684520-1	GRIPPER CYLINDER SUB ASSY.			
REF	813204-1	MOUNT STRIPPER			
2	690603-1	SPRING, ASSIST			
1	3-22603-1	SCR, HEX HD CAP (10-32 X .38) SG ADJ BLOCK			
2	463310-3	BLADE, STRIPPING (#16)			
REF	684520-1	GRIPPER CYLINDER SUB ASSY.			
REF	813204-1	MOUNT STRIPPER			
2	690603-1	SPRING, ASSIST			
1	3-22603-1	SCR, HEX HD CAP (10-32 X .38) SG ADJ BLOCK			
2	463310-3	BLADE, STRIPPING (#16)			
REF	684520-1	GRIPPER CYLINDER SUB ASSY.			
REF	813204-1	MOUNT STRIPPER			