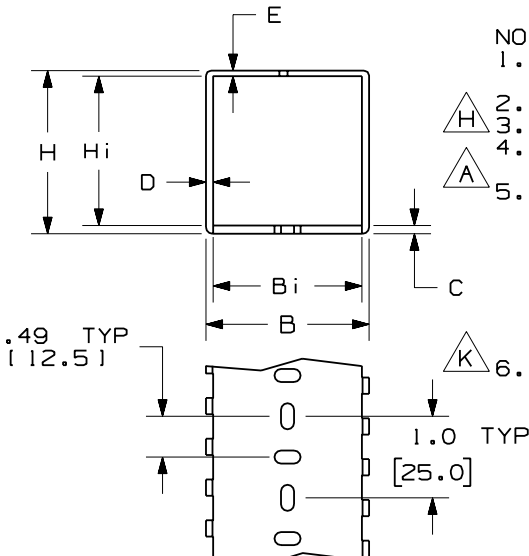
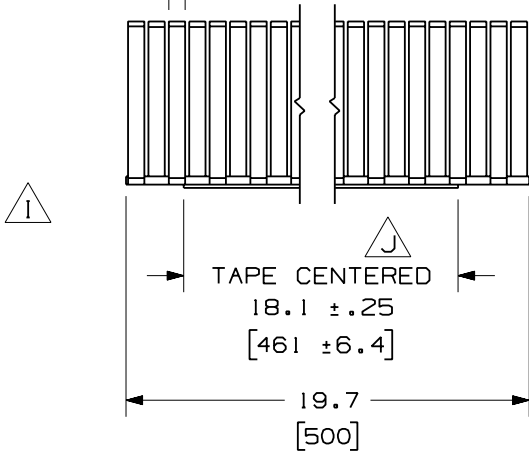


THIS COPY IS PROVIDED ON A RESTRICTED BASIS AND IS NOT TO BE USED IN ANY WAY DETRIMENTAL TO THE INTERESTS OF PANDUIT CORP.

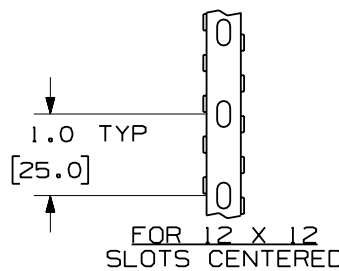
.2 [5.1] TYP FINGER WIDTH



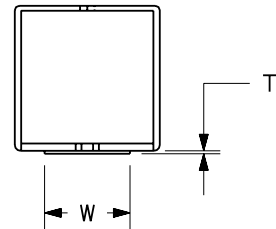
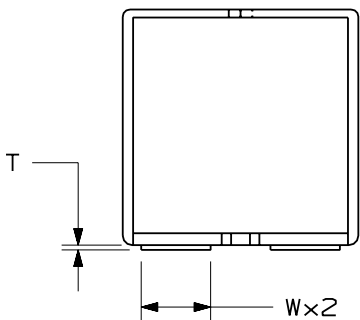
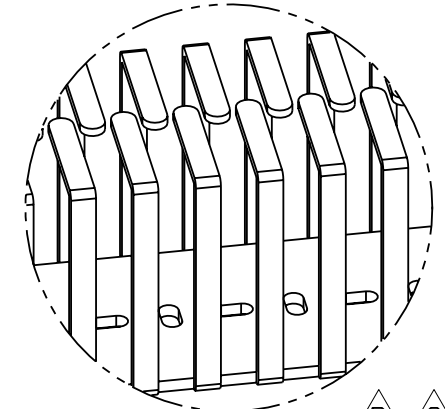
NOTES:

1. DIMENSIONS IN PARENTHESES ARE IN METRIC.
2. COLOR: LIGHT GREY
3. "T" DIMENSION IS REFERENCE ONLY.
4. MOUNTING HOLE SLOT DIMENSIONS: .16 (4.0) X .31 (8.0) - TYP.
5. NO WARRANTY, EXPRESSED OR IMPLIED, IS MADE BY PANDUIT WITH THE RESPECT TO ADHESIVE BOND PERFORMANCE. AMONG OTHER THINGS, THE CONDITIONS UNDER WHICH THESE DUCTS MAY BE APPLIED AND/OR THE SURFACE TO WHICH THEY MAY BE APPLIED ARE BEYOND PANDUIT'S CONTROL.
6. ONE COMPLETE MOUNTING HOLE ON BOTH ENDS OF DUCT WILL NOT BE COVERED BY TAPE.

FOR 25 X 25 & 50 X 50 SLOTS CENTERED



FOR 12 X 12 SLOTS CENTERED



**H** FL50X50LG-A 2 STRIPS OF TAPE  
**J** FL12X12LG-A & FL25X25LG-A TAPE CENTERED

CAD FILENAME/LAYERS D38086BC\_DC\_FL50X50\_00G.prt

--	-----	---	---	K. ADDED NOTE ABOUT TAPE LOCATION	-----	---	---		
6	4-4-06	JCST	JKG	J. ADDED DIMENSION I. CHANGED VIEW: ADDED TAPE	38086-03	JKG	JKG		
5	4-13-05	JCST	JKG	H. CHANGED PART # (COLOR CHANGE - WAS GR-GRAY/GREEN) G. CHANGED MATERIAL	38086-03	HIW	HIW		
4	7-26-04	JCST	JKG	F. CHANGED MATERIAL AND TITLE	38086-03	HIW	HIW		
3	3-29-04	JCST	JKG	E. REMOVED PARTS FROM CHART	38086-03	HIW	HIW		
2	2-27-02	JCST	JKG	D. CHANGED VIEWS AND DIMENSIONS C. ADDED SHEET 2	38086-03	RTF	RTF		
1	8-10-01	JCST	JKG	B. CHANGED TAPE DIMENSION FOR 12X12 DUCT A. ADDED BOTTOM VIEWS AND NOTE 4 & 5	38086-03	RTF	RTF		
R	4-10-01	JCST	JKG	RELEASED TO PRODUCTION	38086-03	HIW	HIW		
REV	DATE	BY	CHK	DESCRIPTION	ECN	R	CUST	SUP	

**PANDUIT** CORP. TINLEY PARK, ILLINOIS

**FLEXIBLE DUCT**  
 SIZES: 12.5mm, 25mm, 50mm  
 CUSTOMER DRAWING **F**

UNLESS OTHERWISE SPECIFIED, DIMENSIONAL TOLERANCES ARE:  
 (.X) ± .04 (1.0) (.XXX) ±  
 (.XX) ± .03 (.8) ANGLES ±

UNLESS OTHERWISE SPECIFIED, ALL DIMENSIONS ARE GIVEN IN INCHES, THIRD ANGLE PROJECTION.

DRAWN BY: JCST  
 DATE: 4-10-01  
 CHK'D: JKG

MAT'L: POLYPROPYLENE

SCALE: NONE

DRAWING NO. 38086-03  
 SHT. 1 OF 2

DWG A SIZE

THIS COPY IS PROVIDED ON A RESTRICTED BASIS AND IS NOT TO BE USED IN ANY WAY DETRIMENTAL TO THE INTERESTS OF PANDUIT CORP.

$\triangle$ E  $\triangle$ H

$\triangle$ D

$\triangle$ B

PANDUIT P/N	B x H	Bi x Hi	C	D	E	TAPE QTY. W x T	WEIGHT	PKG. QTY.
FL12X12LG-A	.5 X .5 ( 12.5 X 12.5 )	.4 X .4 ( 10.3 X 10.6 )	.04 ( 1.1 )	.04 ( 1.0 )	.04 ( 0.9 )	1 .24 ( 6 ) x .04 ( 1 )	0.03LB/ea 12.3g/ea	112
FL25X25LG-A	1.0 X 1.0 ( 25 X 25 )	.9 X .9 ( 21.8 X 22.3 )	.06 ( 1.6 )	.06 ( 1.5 )	.05 ( 1.2 )	1 .58 ( 15 ) x .04 ( 1 )	0.07LB/ea 33.3g/ea	70
FL50X50LG-A	2.0 X 2.0 ( 50 X 50 )	1.8 X 1.8 ( 45.0 X 46.1 )	.10 ( 2.5 )	.09 ( 2.2 )	.07 ( 1.7 )	2 .58 ( 15 ) x .04 ( 1 )	0.23LB/ea 103.3g/ea	32

$\triangle$ C

CAD FILENAME/LAYERS D38086BC\_DC\_FL50X50\_00G.PRT

REV	DATE	BY	CHK	DESCRIPTION	ECN	CHK	CUST	SUP
6	4-4-06	JCST	JKG	SEE SHEET # 1	38086-03	JKG	JKG	
5	4-13-05	JCST	JKG	SEE SHEET # 1	38086-03	HIW	HIW	
4	7-26-04	JCST	JKG	SEE SHEET # 1	38086-03	HIW	HIW	
3	3-29-04	JCST	JKG	SEE SHEET # 1	38086-03	HIW	HIW	
2	2-27-02	JCST	JKG	SEE SHEET # 1	38086-03	RTF	RTF	
1	8-10-01	JCST	--	SEE SHEET # 1	38086-03	--	--	
R	4-10-01	JCST	--	SEE SHEET # 1	38086-03	--	--	

PANDUIT CORP. TINLEY PARK, ILLINOIS

FLEXIBLE DUCT  
SIZES: 12.5mm, 25mm, 50mm  $\triangle$ F  
CUSTOMER DRAWING

UNLESS OTHERWISE SPECIFIED,  
DIMENSIONAL TOLERANCES ARE:  
(.X) ± .04 ( 1.0 ) ( .XXX ) ±  
(.XX) ± .03 ( .8 ) ANGLES ±

UNLESS OTHERWISE SPECIFIED,  
ALL DIMENSIONS ARE GIVEN  
IN INCHES, THIRD ANGLE PROJECTION.

DRAWN BY JCST	MAT'L:  POLYPROPYLENE $\triangle$ G $\triangle$ F	SCALE NONE
DATE 4-10-01		DRAWING NO. 38086-03
CHK'D JKG		DWG SHT. 2 OF 2 A SIZE