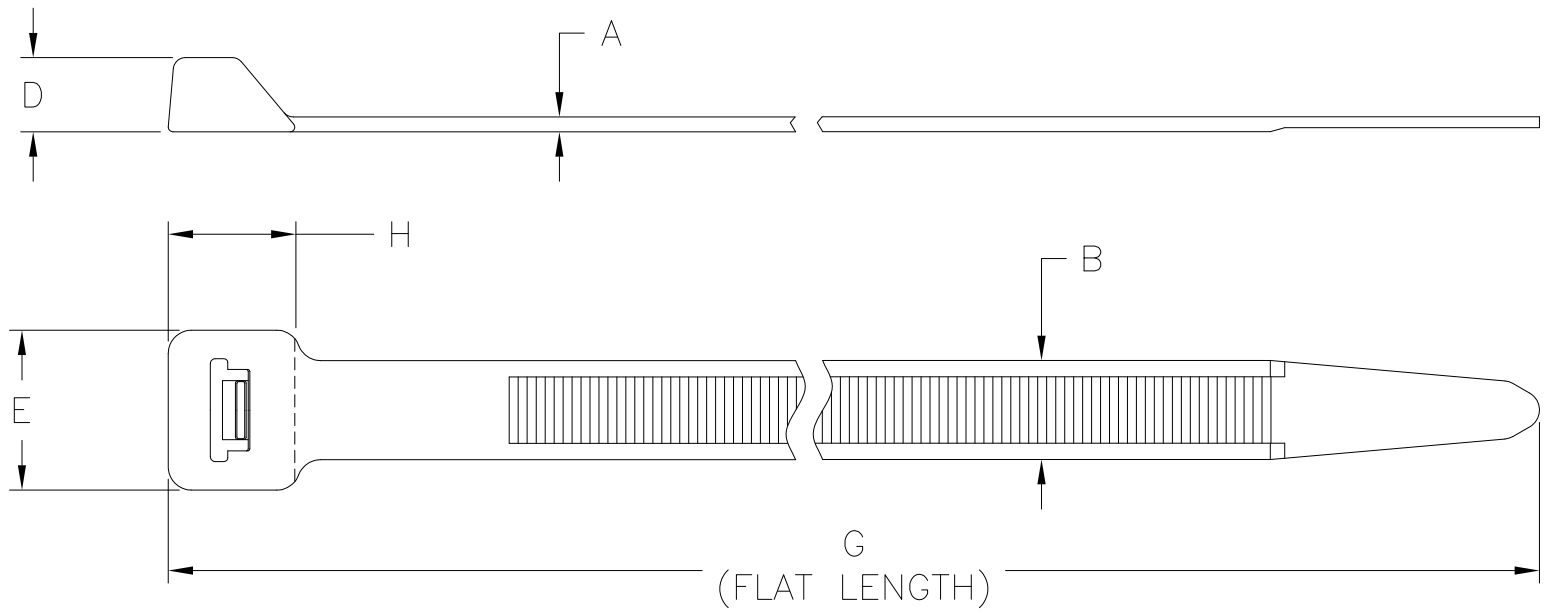


Revision level		Revision Record	Changed	Date	Approved	Date
part	drawing					
—	06					



Type	Cable Range (mm)	Material	A	B	D	E	G	H	Min Loop Tensile Strength (newtons)
T255R	12.5 to 127	PA66HS PA66HIRHSUV	1.8±0.2	12.6±0.3	9.3 ±0.3	20.0 ±0.5	508.0 ±5.0	15.5 ±1.2	1115

SEE CHART

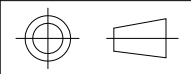
Material

Dimension tolerances unless otherwise specified  
 .XXXX = ± .0130  
 .XXX = ± .130  
 .XX = ± .30  
 .X = ± .8  
 ∠ = ± 0.5 °

Dimension Units mm

PERFORMANCE SPECIFICATION

ACAD MECH  
2010



Drawn A.A.C. 03/31/04  
 Approved K.A.C. 06/17/13

Scale 1:1  
 Title

Computer File Number  
CT\CST\2252011\_06

ALL PROPRIETARY RIGHTS IN THE SUBJECT MATTER SHOWN ON THIS DRAWING ARE EXCLUSIVE PROPERTY OF HELLERMANNTYTON

**HellermanTyton**

7930 N. Faulkner Rd.  
 Milwaukee, WI 53224  
 Ph: (414) 355-1130  
 Fx: (414) 362-8338

**T255R**  
**250 LB CABLE TIE**  
**WITHOUT BUCKLE MOUNT**

Drawing-No **CT2252011CST**

Format AH  
 Sheet 1 of 1