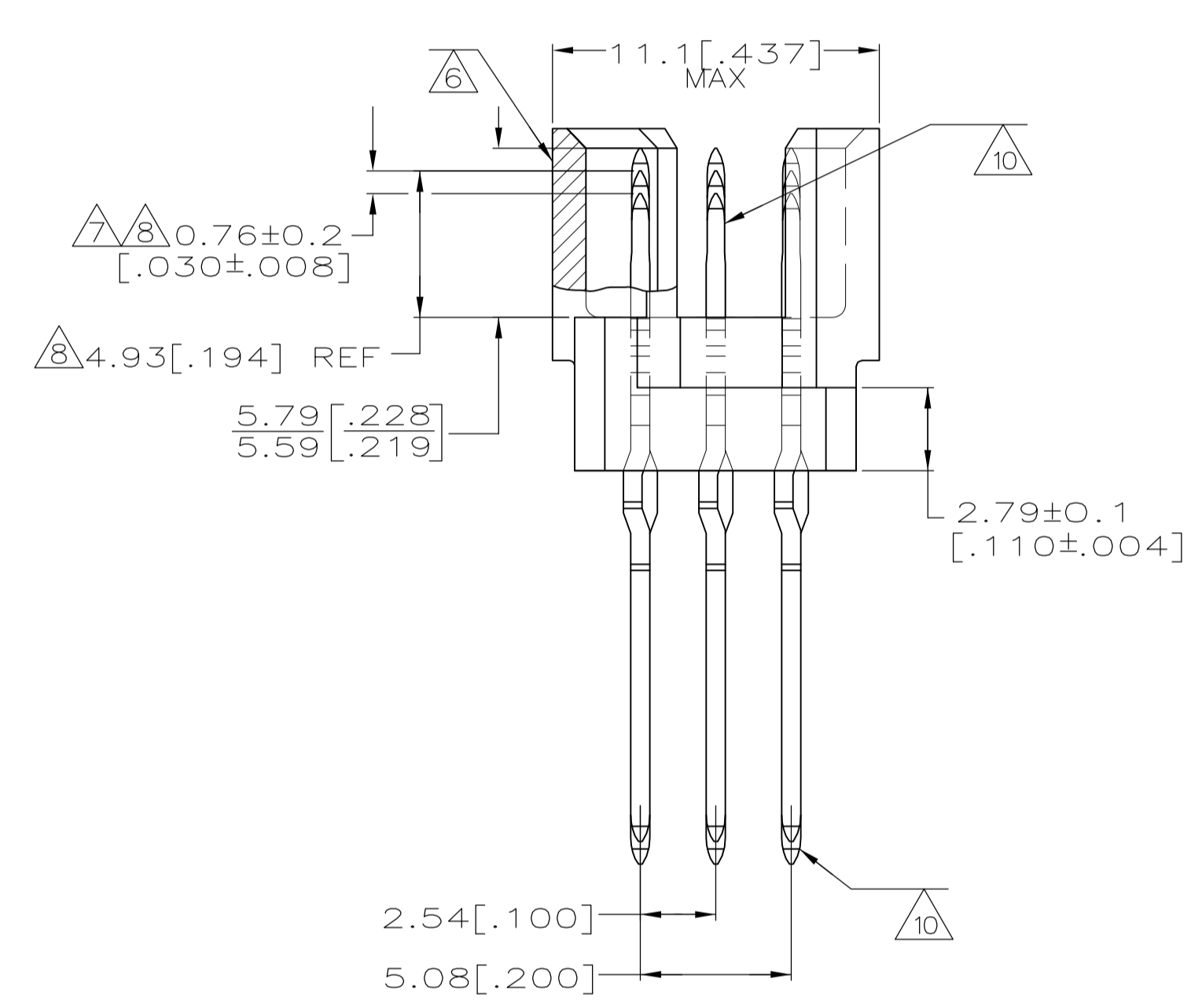


PC BOARD LAYOUT

- 1 HOUSING MATERIAL: GLASS-FILLED POLYESTER. COLOR: GRAY.
- 2 POST MATERIAL: PHOSPHOR BRONZE.
- 4 PC BOARD HOLES REQUIRED FOR ACTION PIN CONTACTS ARE 1.151 [.0453] DRILL DIAMETER PLATED THROUGH WITH 0.02-0.08 [.001-.003] COPPER AND 0.008 [.0003] MINIMUM TIN-LEAD PLATING. FINISHED HOLE AFTER PLATING, 0.94-1.09 [.037-.043] DIAMETER.
- 5 [PART NUMBER, DATE CODE] MARKED THIS APPROXIMATE AREA.
- 6 MARKING ON THIS SIDE.
- 7 FOR "MFBL" APPLICATIONS, A 2.36 [.093] MINIMUM THICK PC BOARD IS REQUIRED. PROGRAMMABLE SEATING TOOL 768216-4 MUST BE USED.
- 8 TO BE 4.16 [.164] REF FOR LAST MAKE PINS AFTER SEATING. POST LENGTH DIFFERENCE BETWEEN SHORT AND LONG PINS TO BE 0.76±0.2 [.030±.008] AFTER SEATING.
- 9 THIS DIMENSION WILL BE 13.23±0.51 [.521±.020] AFTER SEATING FOR PINS WITH 4.17 [.164] REF MATING POST.
- 10 POST FINISH: DIN 41612 CLASS 2 IN CONTACT AREA AND LOWER 5.08 [.200] OF TAILS. GOLD FLASH ON REMAINDER.
- 11 FOR 1.57 [.062] THICK PC BOARD APPLICATIONS, USE SEATING TOOL 768211-4. PROGRAMMABLE SEATING TOOL 768216-4 WITH PUSH PINS FOR MAKE FIRST CONTACTS ONLY, CAN ALSO BE USED.
- 12 THE 5.69 [.224] LONG MAKE FIRST POSTS EXCEED THE ALIGNMENT CAPABILITY OF THE HOUSING AND COULD POSSIBLY STUB DURING MATING. CUSTOMERS MUST TAKE THIS INTO CONSIDERATION IN CARD CAGE DESIGN.



5,11,14,17,43	1-4,6-10,12,13,15,16,18-42,44-47, 50	C	48	148482-4
5,11,14,17,43	1-4,6-10,12,13,15,16,18-42,44-47, 50	B	48	
5,11,14,17,43	1-4,6-10,12,13,15,16,18-42,44-47, 50	A	48	148482-2
5,11,14,17,43	1-4,6-10,12,13,15,16,18-42,44-50	C	50	
5,11,14,17,43	1-4,6-10,12,13,15,16,18-42,44-50	B	50	148482-1
17,43,45,47	1-16,18-42,44,46,48-50	C	50	
17,43,45,47	1-16,18-42,44,46,48-50	B	50	148482-1
17,43,45,47	1-16,18-42,44,46,48-50	A	50	
POSITIONS LOADED WITH 5.69 [.224] CONTACTS	POSITIONS LOADED WITH 4.16 [.164]/4.93 [.194] CONTACTS	ROWS	NO OF LOADED POSN	PART NUMBER

THIS DRAWING IS A CONTROLLED DOCUMENT.

DIMENSIONS: mm [INCHES]	TOLERANCES UNLESS OTHERWISE SPECIFIED:	DIN L. BRINER 4/3/98	APPROVED C. RICHARD 4/3/98	NAME	Tyco Electronics Corporation Harrisburg, PA 17105-3608
0 PLC ± -	1 PLC ± -	2 PLC ± 0.13 [.005]	3 PLC ± -	4 PLC ± -	ANGLES ± -
MATERIAL	FINISH	SIZE	CAGE CODE	DRAWING NO	RESTRICTED TO
		WEIGHT	A1	00779	148482
CUSTOMER DRAWING		SCALE	5:1	SHEET	1 OF 1