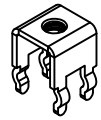
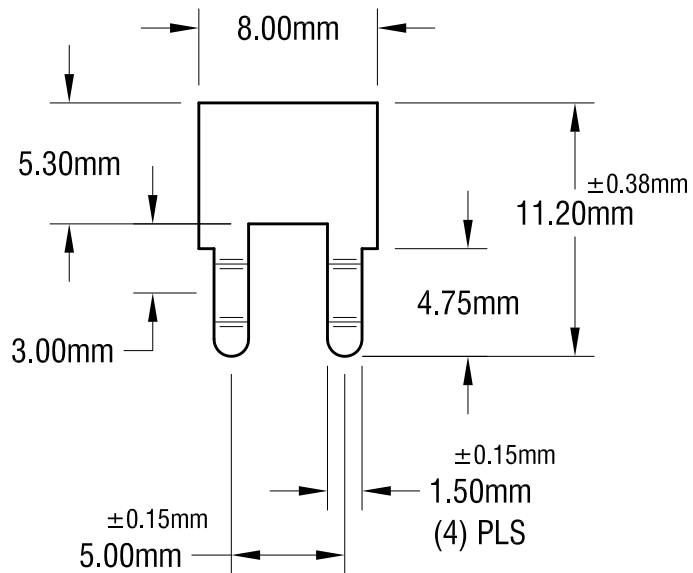
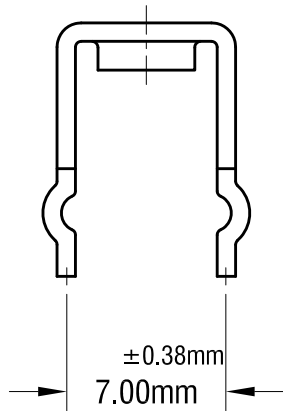
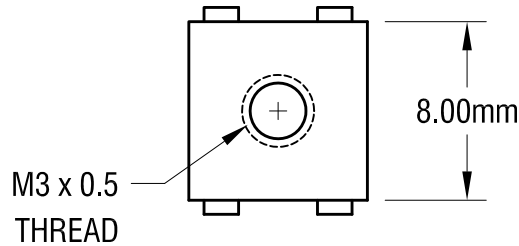
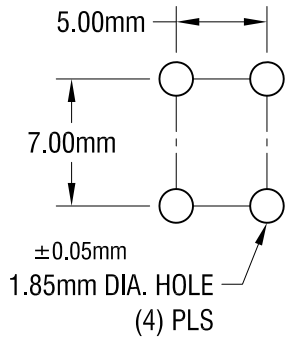


THIS DOCUMENT IS THE PROPERTY OF KEYSTONE ELECTRONICS CORP. AND SHALL NOT BE REPRODUCED, DISTRIBUTED OR USED AS A BASIS FOR MANUFACTURE WITHOUT PRIOR WRITTEN PERMISSION FROM KEYSTONE ELECTRONICS CORP.

**ACTUAL SIZE**



**MOUNTING DETAIL**



**NOTE:**

1. ALL DIMENSIONS ARE IN MILLIMETERS.

<b>KEYSTONE ELECTRONICS CORP.</b>			
9.27.16	CHANGE AS PER ECN16-089	E	www.keyelco.com • ASTORIA, N.Y. 11105-2017 • Tel (718) 956-8900
6.18.16	CHANGE AS PER ECN16-070	D	PART NAME PC METRIC SCREW TERMINAL
3.26.15	CHANGE AS PER ECN15-039	C	MATERIAL 0.8mm TH'K BRASS
7.15.09	CHANGE AS PER ECN 09-104	B	FINISH MATTE TIN PLATE
1.31.08	CHANGE AS PER ECN 089-068	A	DRN BY BOONE DATE 9.28.01 APP'D LN SCALE 3X
DATE	DESCRIPTION	REV.	TOLERANCES INCH [MM] DECIMAL ± [± 0.25] ANGULAR ± 1° UNLESS OTHERWISE SPECIFIED
			CODE C DWG NO. <b>7788</b>