

1

2

3

4

A

B

C

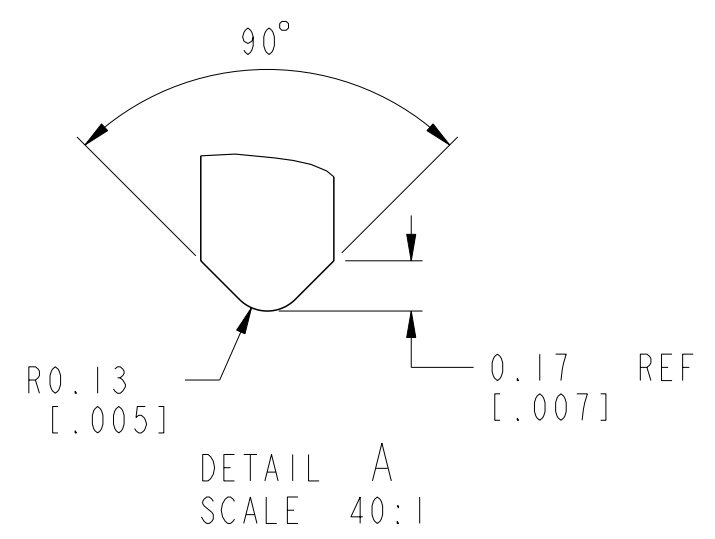
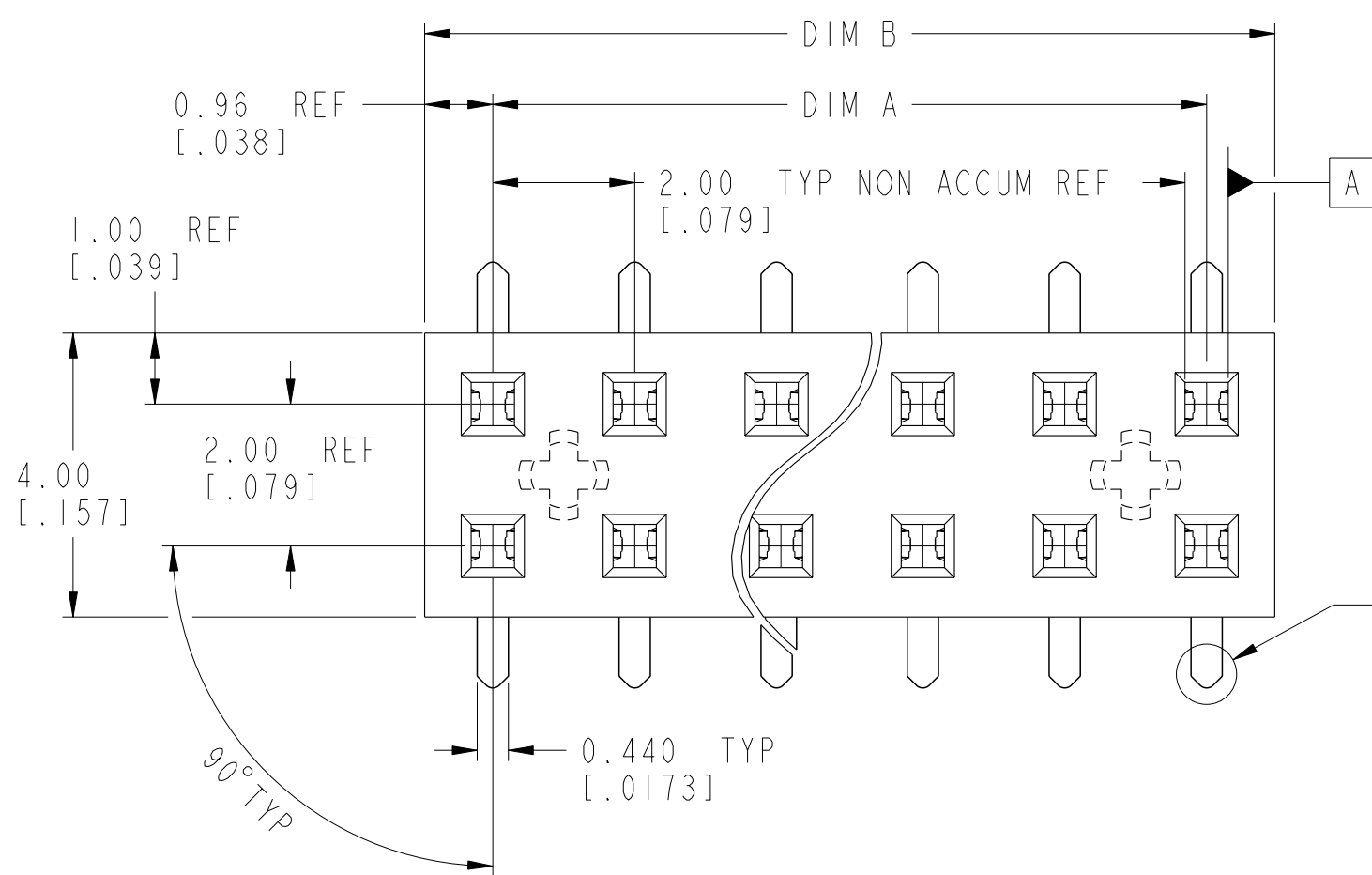
D

A

B

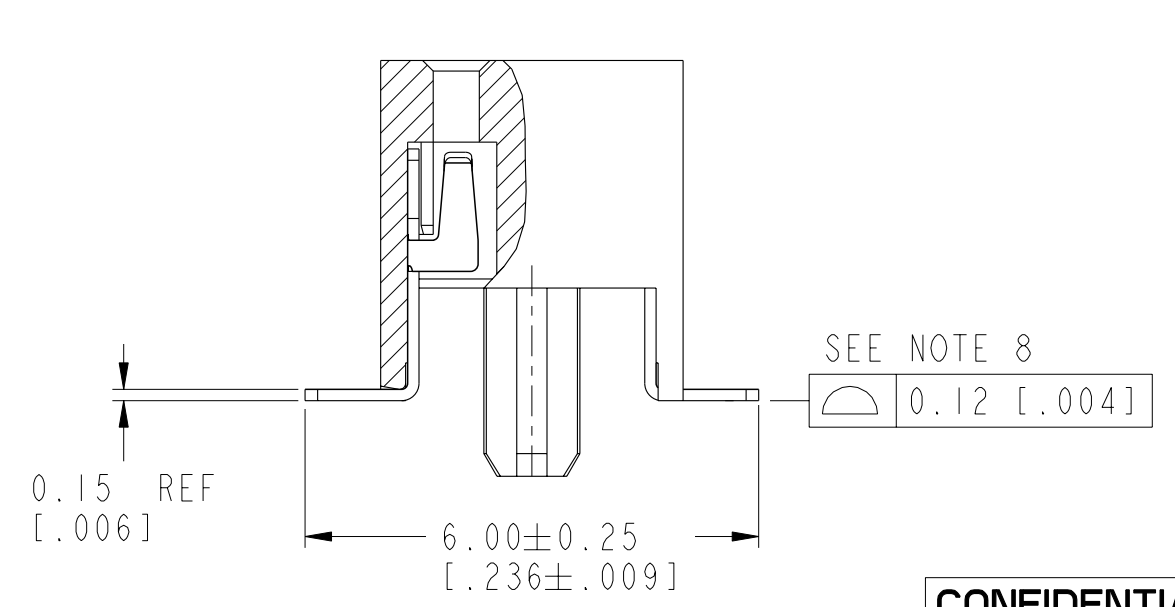
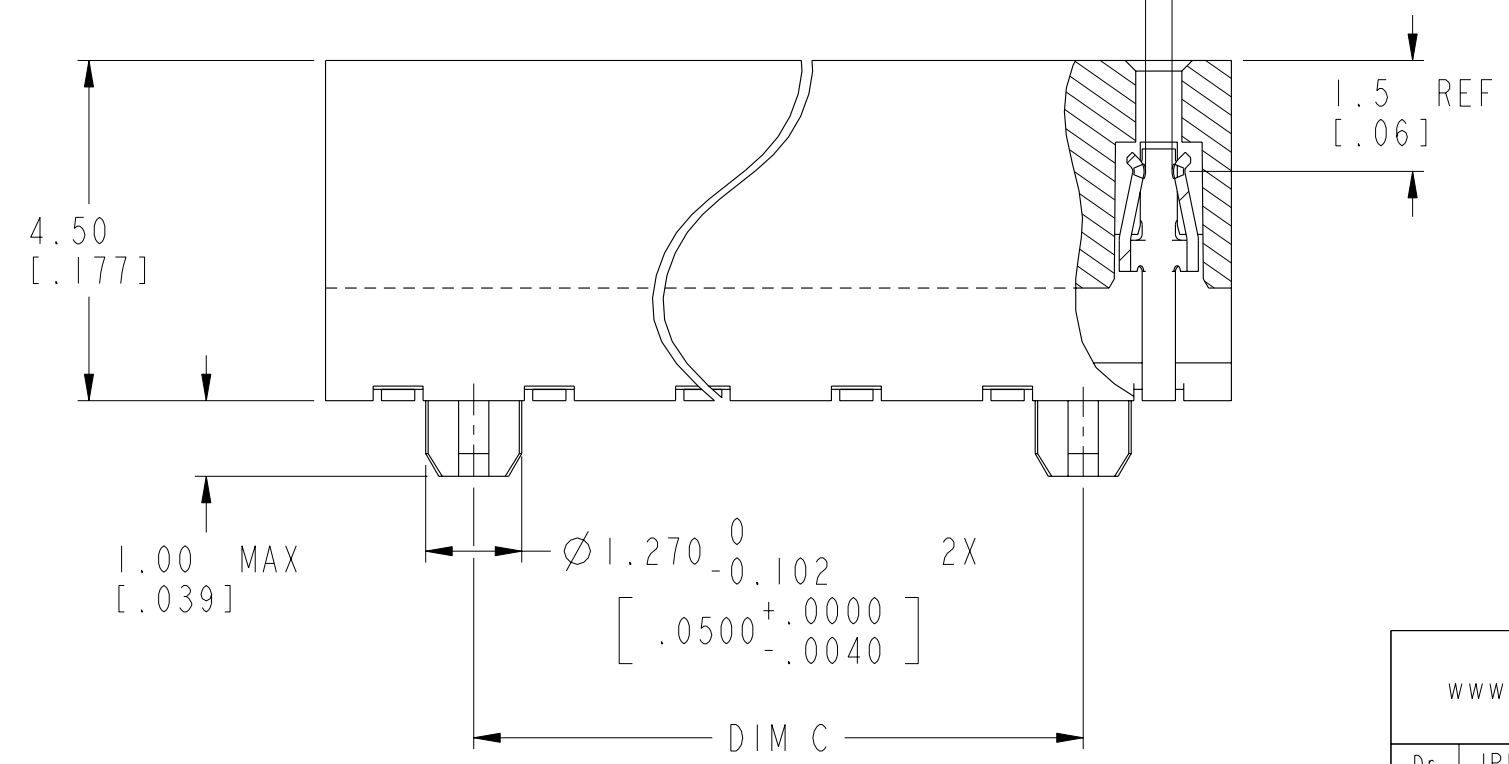
C

D



DETAIL A  
SEE NOTE 6

⊕ 0.20 [.007] Ⓢ A Ⓢ



Copyright FCI.

**CONFIDENTIAL**

rev	ecn no	dr	date
A	S10105	JPEH	2001-08-15
B	S10149	JPEH	2001-10-25
C	S20086	JPEH	2002-07-15
D	S05-0053	KBM	2005-02-24
E	S08-0201	KHL	2008-06-27
F	S10-0207	SM	2009-12-18
-	-	-	-

www.fciconnect.com			surface - ✓ ISO 1302	tolerance std ISO 406 ISO 1101	projection MM/INCH
			TOLERANCES UNLESS OTHERWISE SPECIFIED		
Dr	JPEH	2002-07-15	ANGULAR	LINEAR	size A3
Eng	JPEH	2002-07-19			
Chr	KH LEE	2009-12-18	0° ±2°		Scale 10:1
Appr	JOEY NG	2009-12-18	Product family LPVCC		ECN S10-0207
			Spec ref -		
FCI			title LOW PROFILE VCC 4.5 TOP ENTRY		Rev. F
			SMT ASSY WITH LOCATING FEATURES		dwg no 55513
			catalog no -		CUSTOMER sheet 1 of 2

REV E - 2006-03-28

2

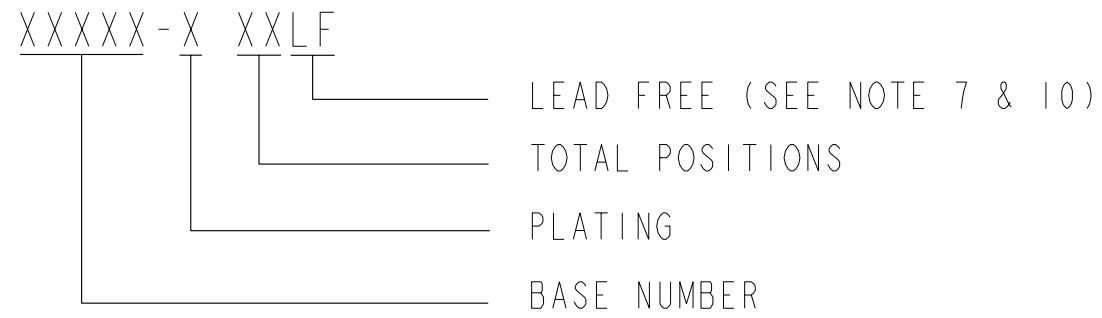
3

PRODUCT NO	POSITIONS	DIM. A	DIM.B	DIM.C	TAPE-REEL AVAILABLE
55513-X32	2 X 16	30.00 / 1.181	31.92 / 1.256	28.00/1.102	YES
55513-X50	2 X 25	48.00 / 1.890	49.92 / 1.965	46.00/1.811	YES

PLATING OPTIONS OVER CONTACT AREA
0 = 0.05μm/2μ"Au
1 = 0.76μm/30μ"Au
3 = 0.38μm/15μ"Au

NOTES:

- HOUSING MATERIAL : HIGH TEMP PLASTIC
- TERMINAL MATERIAL: PHOSPER BRONZE
- TERMINAL RETENTION 0.5Kg/1.1 Lbs
- PRODUCT DESCRIPTION CODE:



- PACKAGING:
  - (a) XXXXX-XXX --- STD PACKAGING IN TUBE
  - (b) XXXXX-XXXTR --- TAPE AND REEL WITH PICK-UP CAP.

- "V" CUT OPTIONAL - MANUFACTURING PROCESS OPTION.

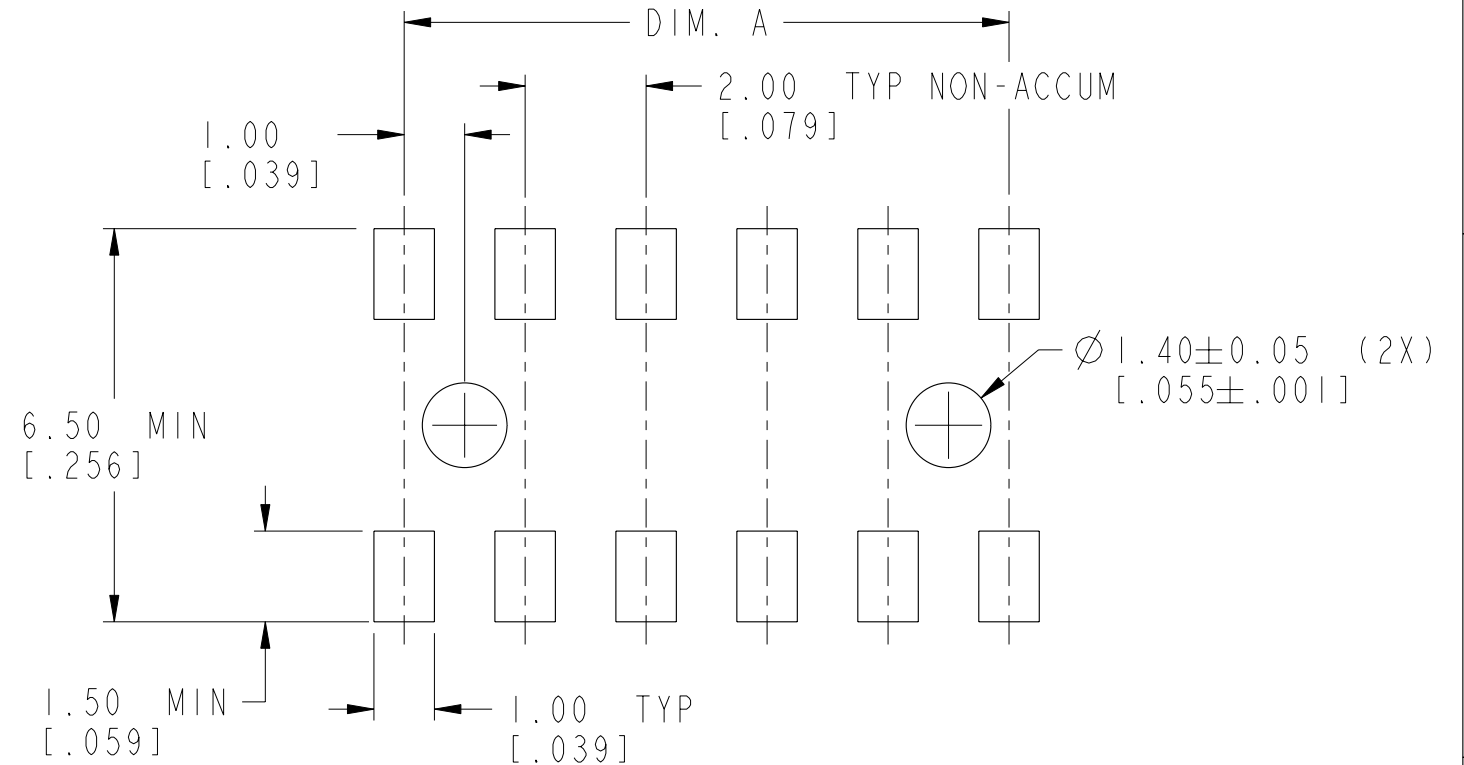
- SOLDERTAIL PLATING:
  - a) SOLDERTAIL P/N:55513 - XXX IS TIN/LEAD PLATED.
  - b).SOLDERTAIL P/N:55513 - XXXLF, IS 100% MATTE TIN PLATED.

- CO-PLANARITY FROM POSITION
  - X04 THRU -X38 : 0.10/.004
  - X40 THRU -X50 : 0.12/.005

- THE HOUSING WILL WITHSTAND EXPOSURE TO 255°C PEAK TEMPERATURE FOR 10 SECONDS IN A CONVECTION, INFRA-RED OR VAPOR PHASE REFLOW OVEN.

- THIS PRODUCT MEETS EUROPEAN UNION DIRECTIVES AND OTHER COUNTRY REGULATIONS AS DESCRIBED IN GS-22-008.

- A SYMBOL WILL BE NEXT TO ANY DIMENSION, VIEW OR NOTE WHICH HAS BEEN MODIFIED WITH THE CURRENT DRAWING REVISION.



RECOMMENDED PAD LAYOUT

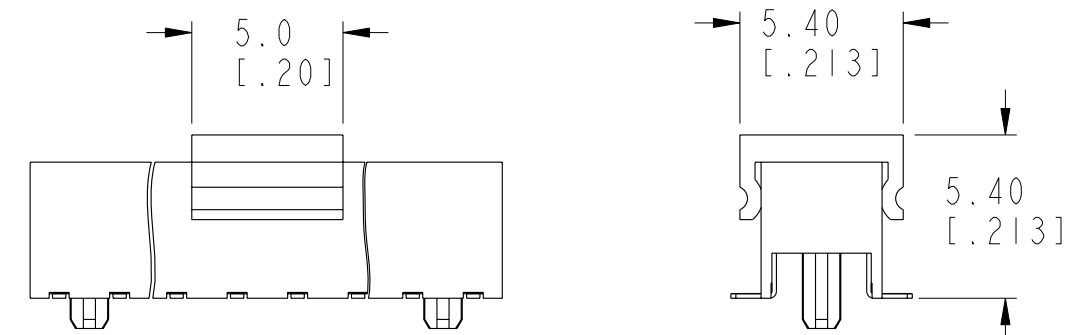


FIG 1  
NOTE 5b

CONFIDENTIAL

www.fciconnect.com		surface - ✓ ISO 1302	tolerance std ISO 406 ISO 1101	projection 	MM/INCH
TOLERANCES UNLESS OTHERWISE SPECIFIED					
Dr	JPEH	2002-07-15	ANGULAR	size A3	Scale 10:1
Eng	JPEH	2002-07-19	LINEAR	ECN S10-0207	
Chr	KH LEE	2009-12-18	0° ±2°	Spec ref -	
Appr	JOEY NG	2009-12-18	Product family LPVCC		
		title LOW PROFILE VCC 4.5 TOP ENTRY SMT ASSY WITH LOCATING FEATURES		dwg no 55513	Rev. F
catalog no -		CUSTOMER		sheet 2 of 2	