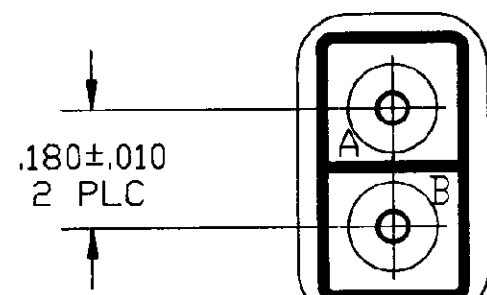


DRAWING MADE IN THIRD ANGLE PROJECTION

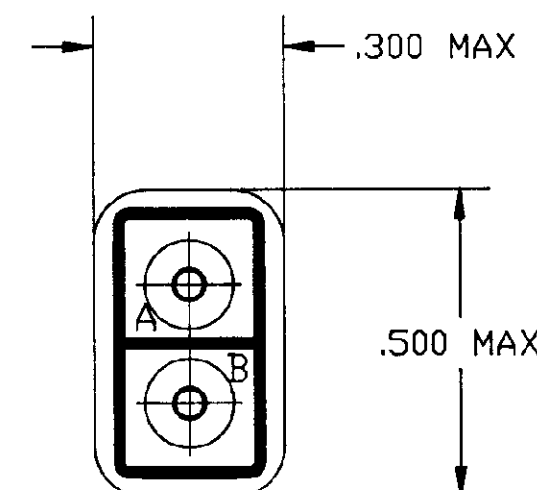
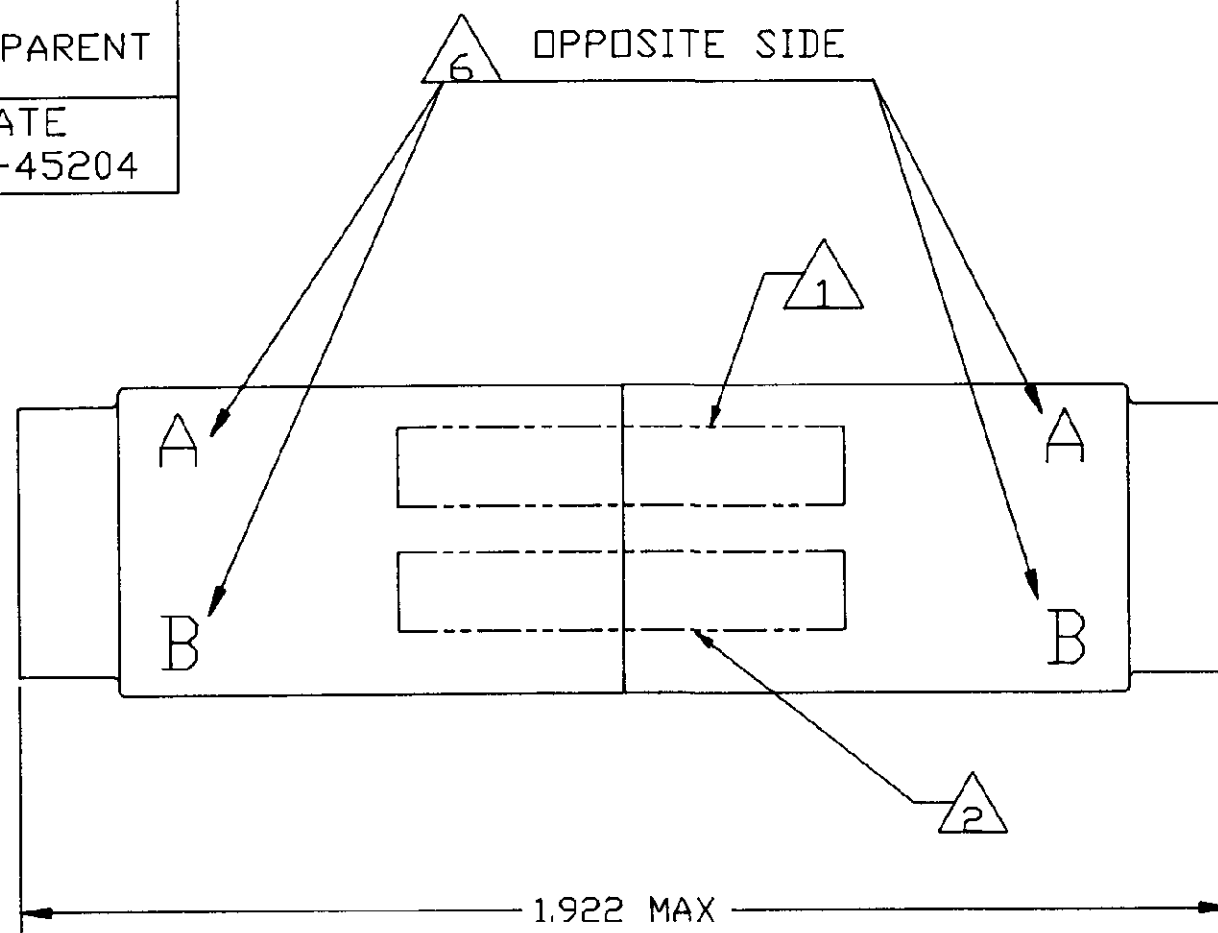
THIS DRAWING IS UNPUBLISHED. RELEASED FOR PUBLICATION, 19
 © COPYRIGHT 19 BY AMP INCORPORATED. ALL INTERNATIONAL RIGHTS RESERVED

REVISIONS					
P	F	ZONE	LTR	DESCRIPTION	DATE APPROVED
✓	✓		0	RELEASE OF NEW PRODUCT	03/94 R.R.

DESCRIPTION	MATERIAL	FINISH
GROMMET	FLUOROSILICONE 40/50 BLEND PER MIL-R-25988	COLOR: BLUE
SPLICE ASSEMBLY HOUSING	EPOXY	COLOR: BLACK
CONTACT FEMALE SOCKET	BERYLLIUM COPPER PER QQ-C-533	GOLD PLATE PER MIL-G-45204
CLIP CONTACT RETAINING	BERYLLIUM COPPER PER QQ-C-533 OR STAINLESS STEEL PER QQ-S-766	NONE
SHRINK TUBE	PER MIL-1-23053/8	COLOR TRANSPARENT
CONTACTS 3	PER M39029/1-102	GOLD PLATE PER MIL-G-45204



BUSSING ARRANGEMENT
2 PLC



592584

- 6 PART NO. 592584-3 IS MARKED WITH "A" & "B" IN TWO LOCATIONS EACH .060 MINIMUM HIGH CHARACTERS AT APPROXIMATE AREA SHOWN.
- 5. AMP PART NO. 592584-1 WAS FORMERLY MATRIX PART NO. MWS16D-1.
- 4 MARK WIRE SPLICE BUSSING ARRANGEMENT BOTH ENDS AS SHOWN.
- 3 A QUANTITY OF 4 CONTACTS ARE SUPPLIED WITH WIRE SPLICE.
- 2 PART NO. 592584-2 IS MARKED WITH CUSTOMER PART NO. 5224212-1 .060 MINIMUM HIGH CHARACTERS AT APPROXIMATE AREA SHOWN.
- 1 MARK WIRE SPLICE WITH "AMP", AMP PART NO. AND DATE CODE .060 MINIMUM HIGH CHARACTERS AT APPROXIMATE AREA SHOWN.

6	592584-3
5224212-1	592584-2
-----	592584-1
CUSTOMER PART NO.	PART NO

<small>DO NOT SCALE PRINT. UNLESS OTHERWISE SPECIFIED DIMENSIONS ARE IN INCHES. TOLERANCES ON: 2 PLC DEC ± .02 3 PLC DEC ± --- ANGLES ± ---</small>	CONTRACT NO		AMP AMP INCORPORATED Harrisburg, Pa. 17105		
	DR	N. FRITZ 02/6/94			
	MATERIAL	CHK	R. RYAN 03/21/94	NAME	WIRE SPLICE, DOUBLE SIZE 16 ASSEMBLY TJ
	FINISH	APPD	R. RYAN 03/21/94	SIZE	FSCM NO
	DSGN APPD		C	00779	592584
	OTHER APPD		SCALE	4 : 1	SHEET 1 OF 1

THIS DRAWING IS A CONTROLLED DOCUMENT FOR AMP INCORPORATED. IT IS SUBJECT TO CHANGE AND THE CONTROLLING ENGINEERING ORGANIZATION SHOULD BE CONTACTED FOR THE LATEST REVISION.