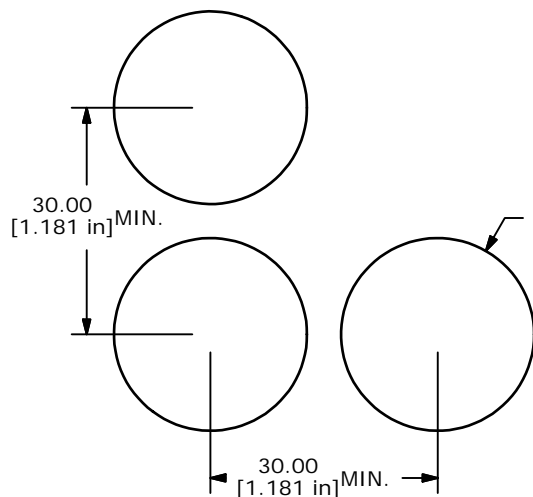
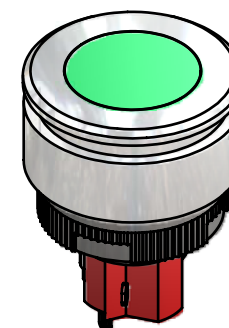
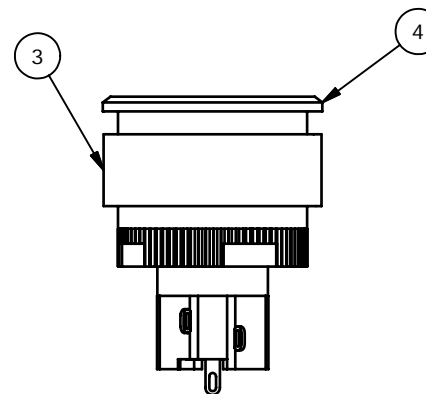
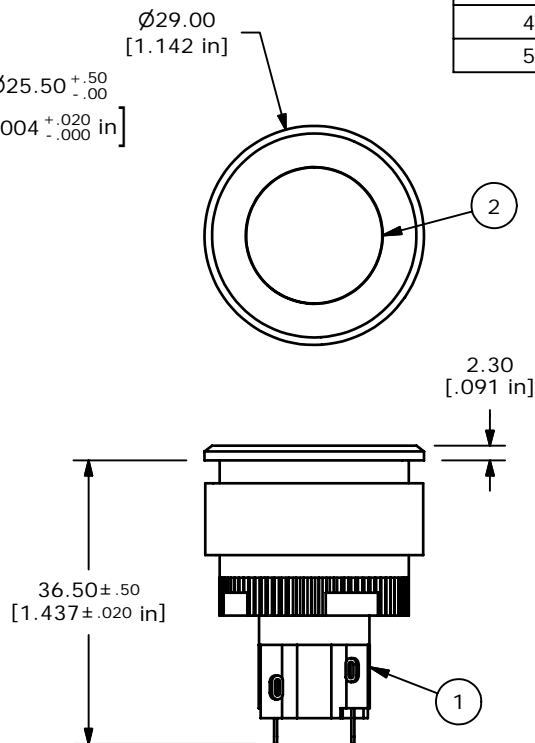


▲ Parts List

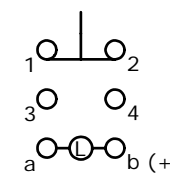
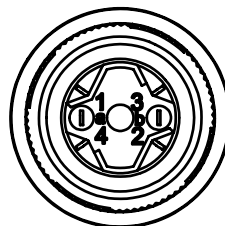
ITEM	QTY	PART NUMBER	DESCRIPTION
1	1	F060606	LASOAV11
2	1	F060202	25 MM GREEN LENS
3	1	F051705	29MM FLUSH MOUNT RETAINER
4	1	F051704	29MM FLUSH MOUNT BEZEL
5	1	F050416	GREEN 6VDC LED



RECOMMEND PANEL MOUNTING



ISOMETRIC



SPDT  
CONTACT CONFIGURATION

NOTES:

1. ALL DIMENSIONS IN MM [INCH].
2. GENERAL TOLERANCE: 0.0±0.4  
0.00±0.25
3. TERM. NOS. FOR REF. ONLY.
- ▲4. RATING: 5A @250VAC  
8A @125VAC  
.2A @250VDC  
6A @24VDC
5. INSULATION: 1,000 MΩ MIN.
6. DIELECTRIC STRENGTH: 2000V FOR 1 MIN.
7. ELECTRICAL LIFE: 50,000 MAKE-AND-BREAK CYCLES AT FULL LOAD.
8. OPERATING TEMP: -25C TO +55C
9. PANEL THICKNESS: 0.5MM TO 3.0MM
- ▲10. LED VOLTAGE: 6VDC GREEN
11. ▲ DENOTES CRITICAL PARAMETER.
- ▲12. PACKAGE: BOX/10 PER
13. 2002/95/EC (ROHS) COMPLIANT



TITLE LASOAV31HGRNGRN

A	17064	RELEASED FOR PRODUCTION	3/6/07	TN
REV	PCR NO	DESCRIPTION	DATE	BY

THE INFORMATION CONTAINED IN THIS DOCUMENT IS PROPRIETARY TO E-SWITCH AND IS NOT TO BE COPIED OR TRANSFERRED

SCALE	DATE	DR	DWG	REV
1:1	3/6/2007	TN	XF0713P	A