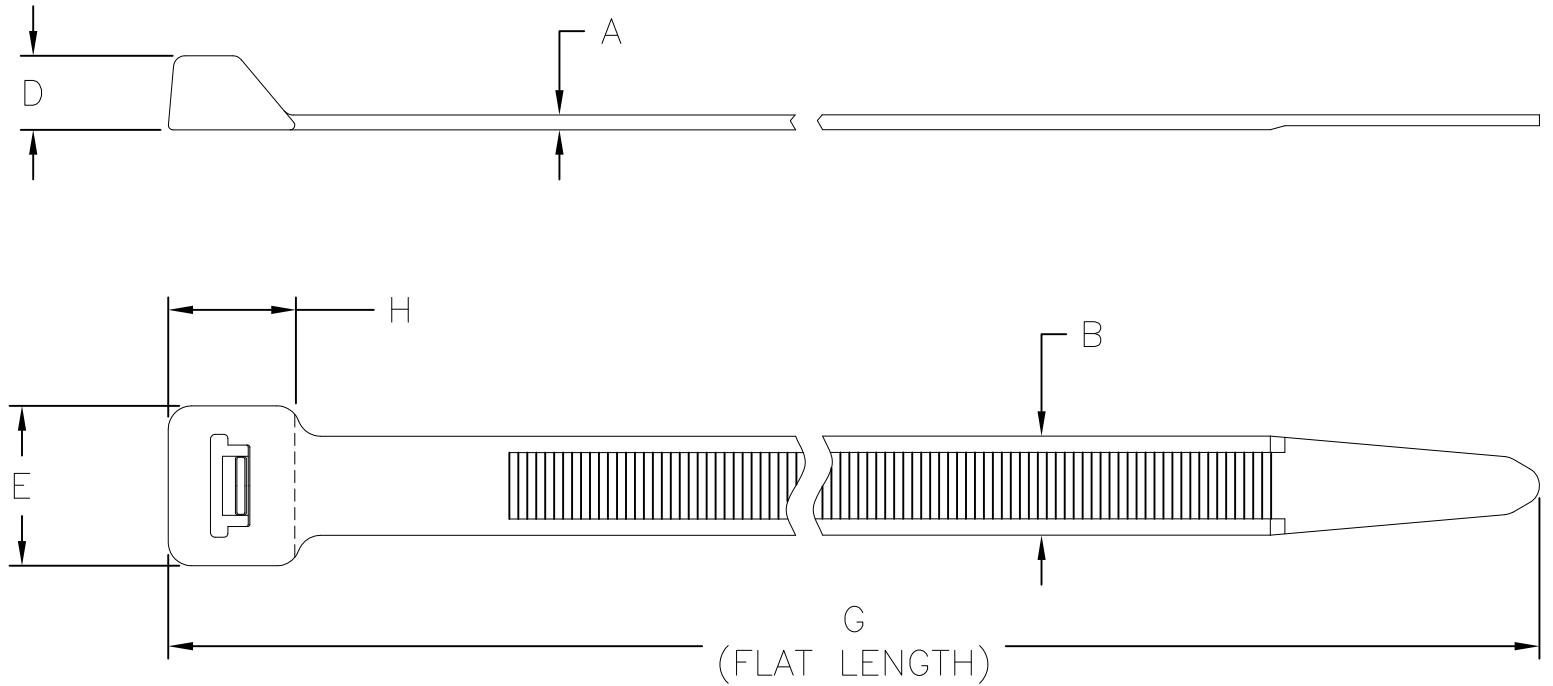


Revision level		Revision Record	Changed	Date	Approved	Date
part	drawing					
—	05					



PRODUCT CODE DESCRIPTION

SR255X_HIHSUV
 COLOR
 (CONSULT FACTORY FOR AVAILABLE COLORS)

Type	Cable Range (mm)	Material	A	B	D	E	G	H	Min Loop Tensile Strength (newtons)
SR255X	13 to 100	PA66	1.8±0.2	12.6±0.3	9.3 ±0.3	20.0 ±0.5	370.0 ±10.0	15.5 ±1.2	1115
		PA66HIHSUV							

SEE CHART

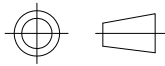
Material

Dimension tolerances unless otherwise specified
 .XXX =
 .XXX =
 .XX = NOTED
 .X =
 < =

Dimension Units mm

PERFORMANCE SPECIFICATION

ACAD MECH
2010



Drawn KDP 02/14/01
 Approved K.A.C. 08/21/12

Scale 1:1
 Title SR255X
 Computer File Number CT\CST\2252006_05
 Phase: Production

ALL PROPRIETARY RIGHTS IN THE SUBJECT MATTER SHOWN ON THIS DRAWING ARE EXCLUSIVE PROPERTY OF HELLERMANN TYTON

HellermannTyton®

7930 N. Faulkner Rd.
 Milwaukee, WI 53224
 Ph: (414) 355-1130
 Fx: (414) 362-8338

Drawing-No
CT2252006CST

Format
 AH
 Sheet 1 of 1