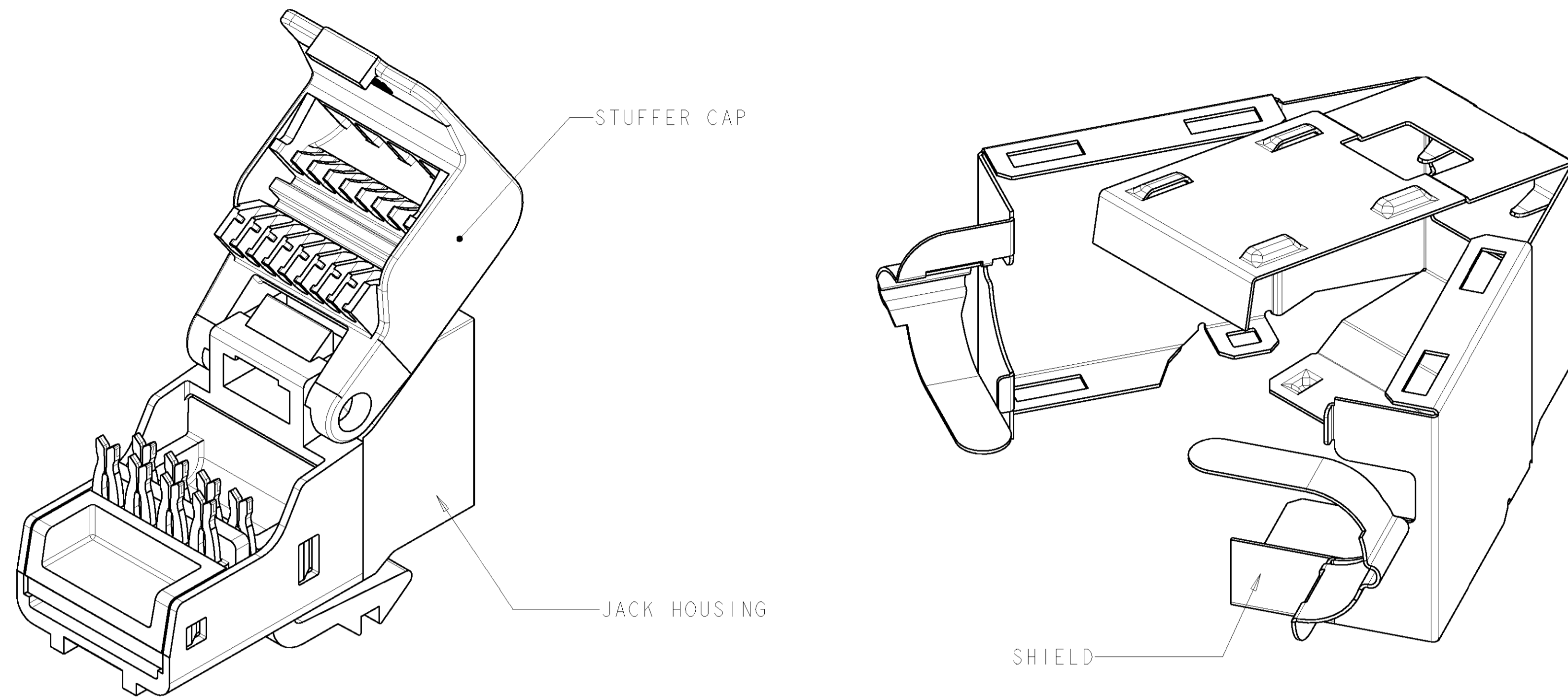
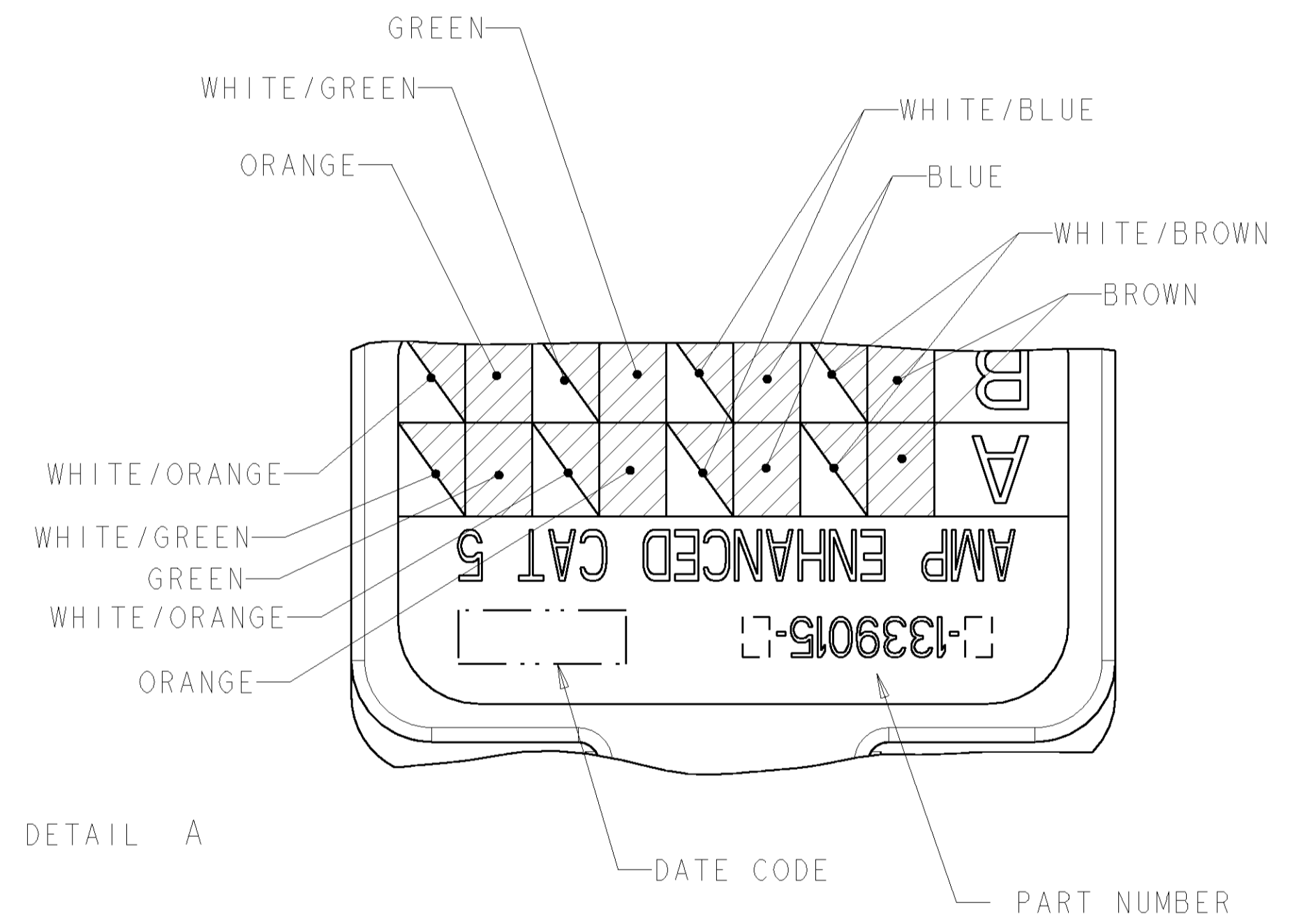
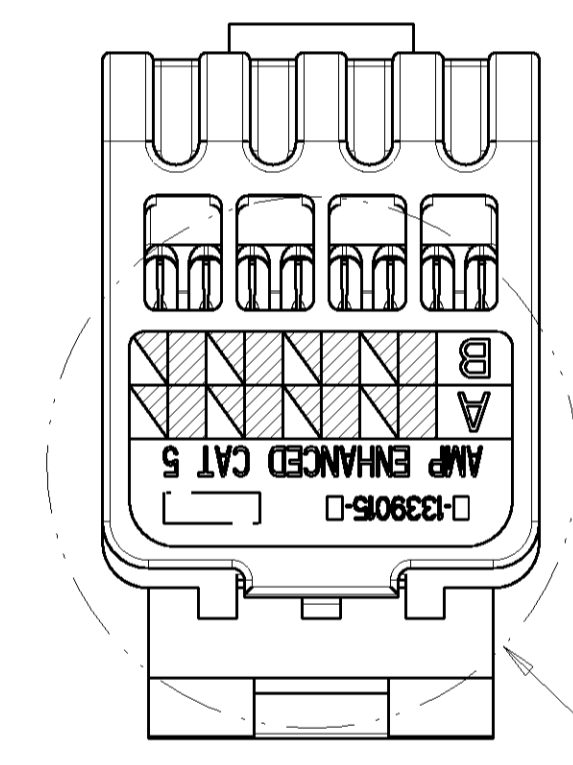
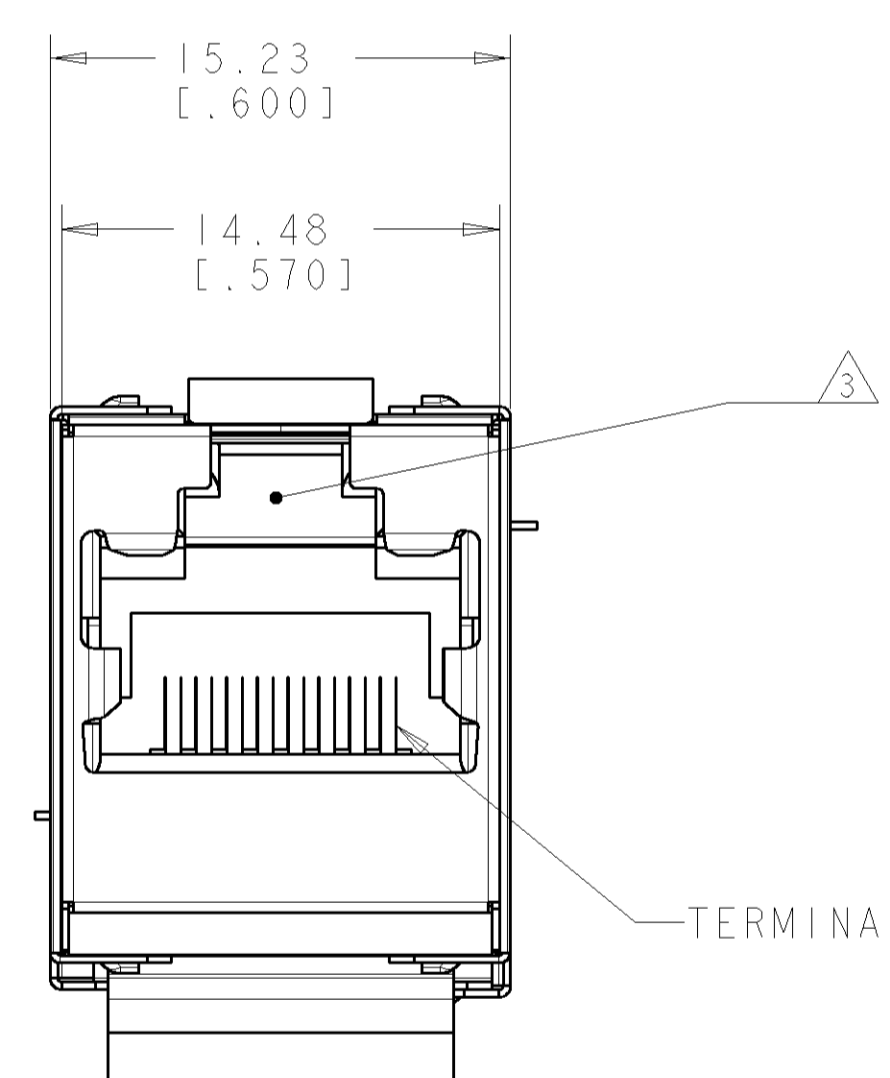
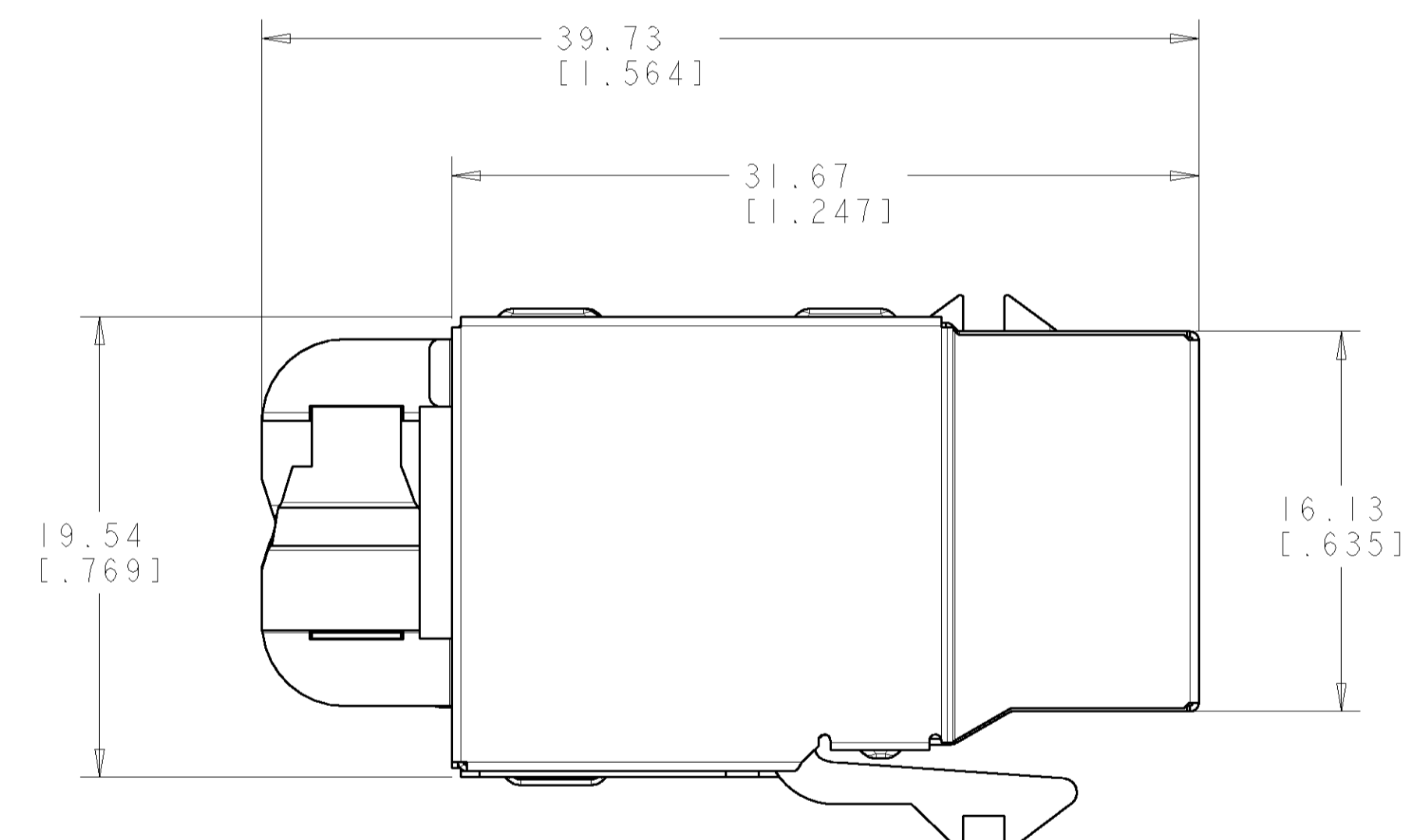


LOC	DIST	REVISIONS			
P	LTR	DESCRIPTION	DATE	DRN	APPR
D1		REVISED PER ECO-11-005294	20APR11	RK	HMR

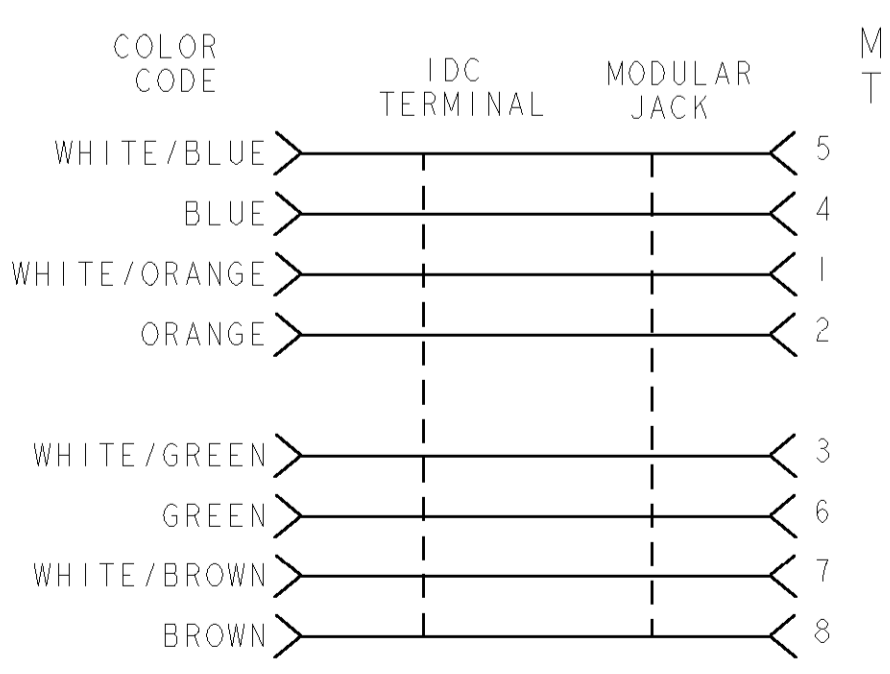
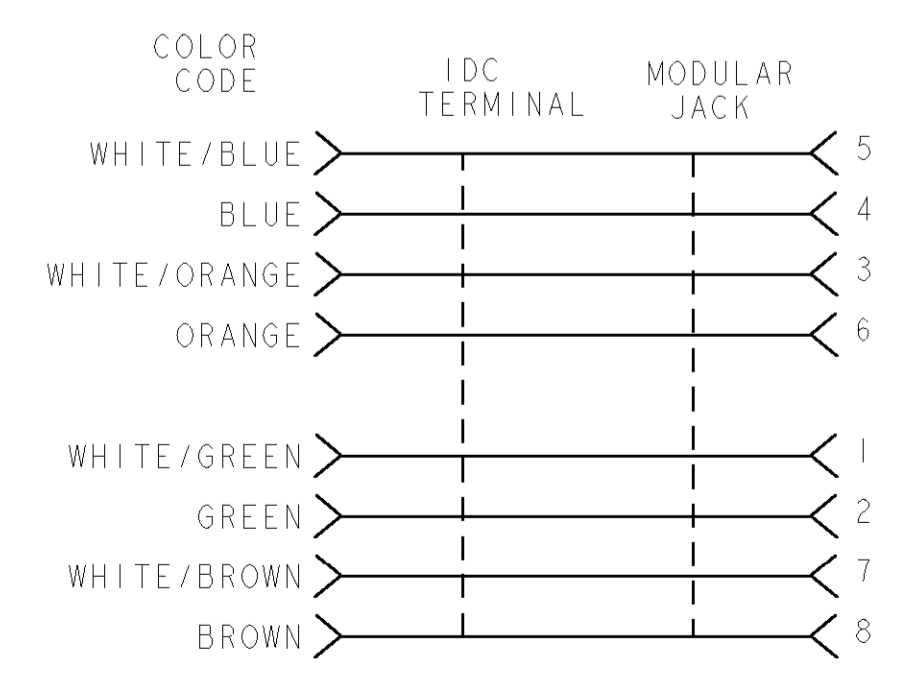


1. MATERIAL: JACK HOUSING - POLYPHENYLENE OXIDE, 94V-0 RATED.
 TERMINAL BLOCK - PBT POLYESTER, 94V-0 RATED.
 STUFFER CAP - POLYCARBONATE, CLEAR, 94V-0 RATED.
 JACK CONTACTS - PHOSPHOROUS BRONZE, PLATED WITH 1.27um [.000050] MINIMUM THICK GOLD IN LOCALIZED AREA AND 3.81um [.000150] MINIMUM THICK MATTE TIN IN SOLDER AREA OVER 1.27um [.000050] MINIMUM THICK NICKEL UNDERPLATE.
 SHIELD - COPPER ZINC ALLOY 260 PREPLATED WITH BRIGHT NICKEL
2. TOOLLESS WILL TERMINATE 22-24 AWG SOLID CONDUCTORS AND 24 AWG STRANDED CONDUCTORS, 1.14 [.045] MAXIMUM INSULATION DIAMETER.
3. CAVITY CONFORMS TO FCC RULES AND REGULATIONS PART 68 SUBPART F REQUIREMENTS.
4. MOUNTING PANEL THICKNESS 1.473 - 1.600 [.058 - .063].
5. THESE TWO SUGGESTED CUTOUT OPENINGS ARE USED IN TANDEM WITH DUAL FRONT AND BACK CUTOUTS.
6. SHIELD SHIPPED NOT ASSEMBLED.



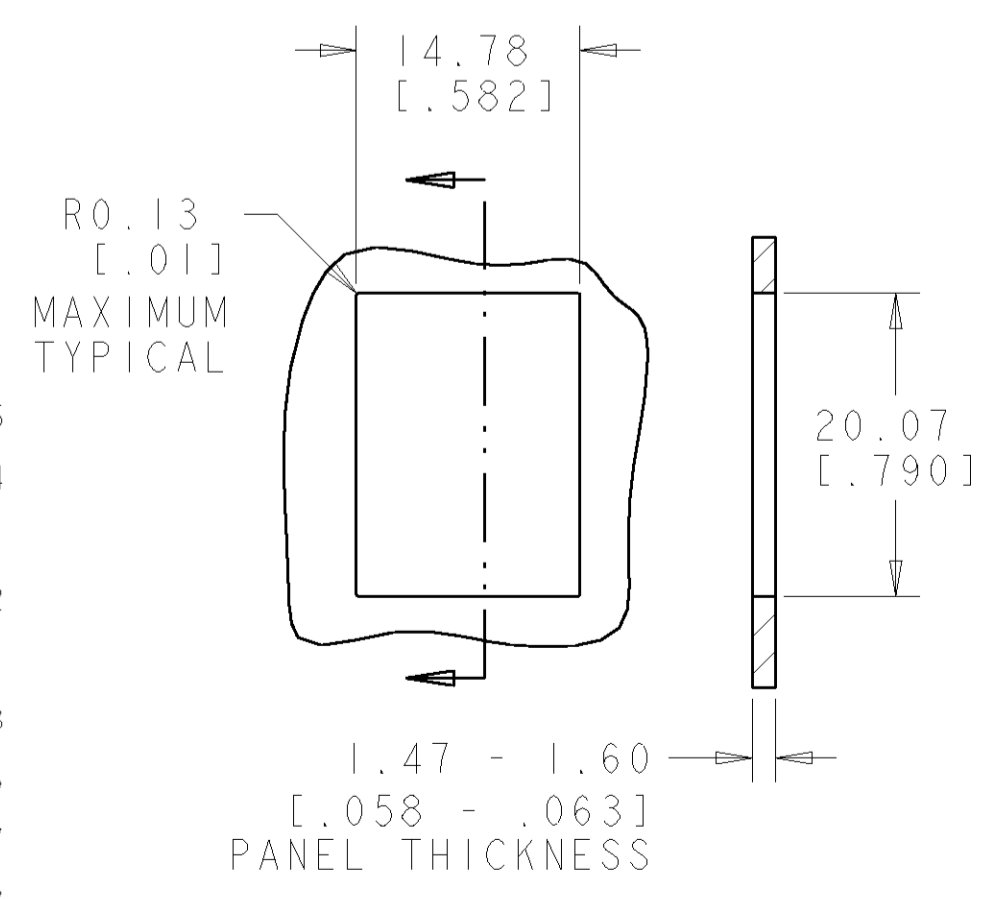
VIEW SHOWING SHIELD ASSEMBLED

DETAIL A SCALE 10:1

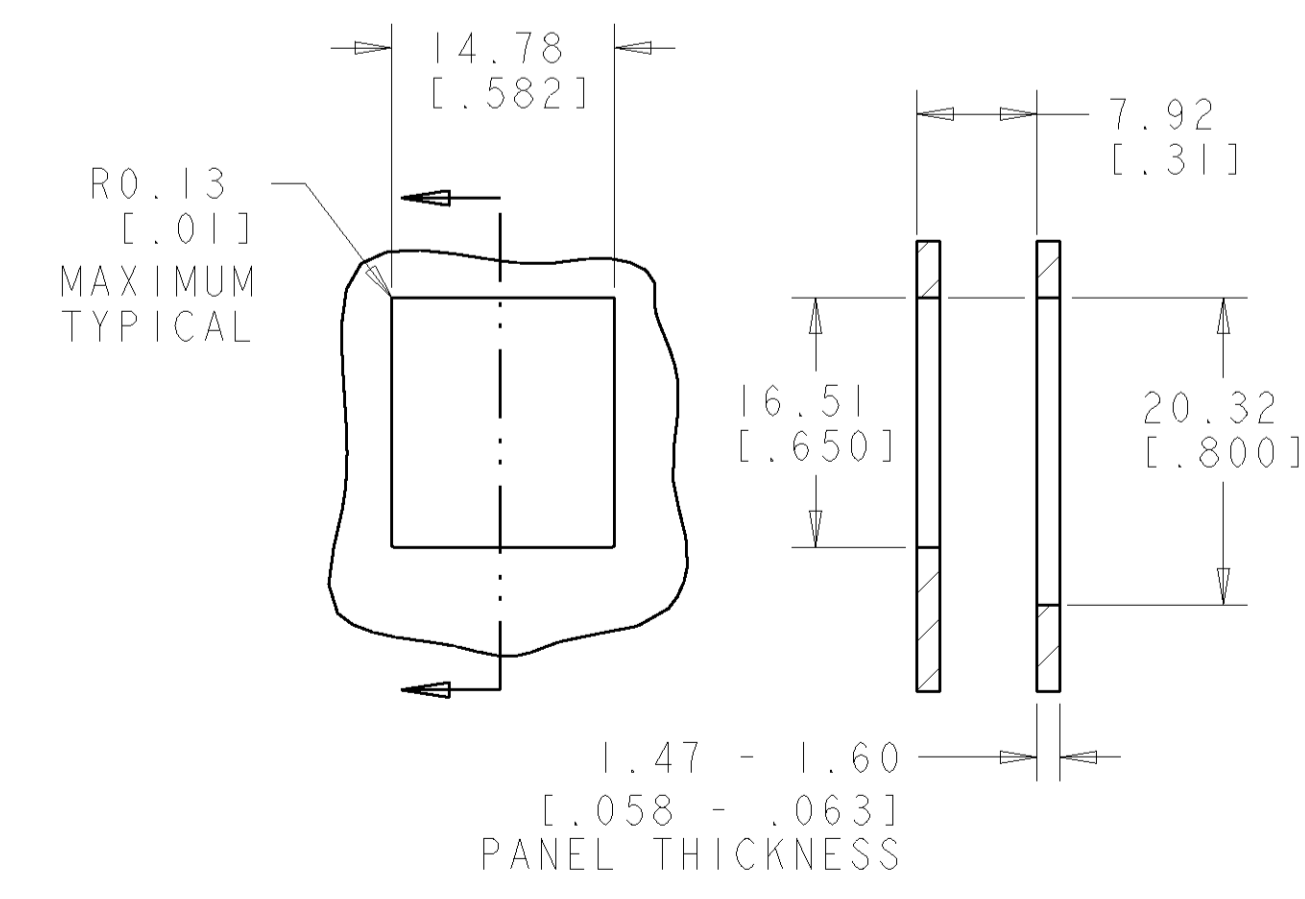


ELECTRICAL SCHEMATIC T568A

ELECTRICAL SCHEMATIC T568B



SINGLE PANEL CUTOUT



SUGGESTED FLUSH MOUNT PANEL APPLICATION CUTOUT

1339015-1
PART NUMBER

DIMENSIONS: mm [INCHES]		TOLERANCES UNLESS OTHERWISE SPECIFIED:		DRN P. PEPE 22NOV99		CHK P. PEPE 22NOV99		APPR P. PEPE 22NOV99		NAME	
0 PLC ±		1 PLC ±.25 [.01]		PRODUCT SPEC		ASSEMBLY, TOOLLESS, CAT 5e, UNIVERSAL, RJ45, SHIELD		SIZE		RESTRICTED TO	
2 PLC ±.25 [.01]		3 PLC ±.13 [.005]		APPLICATION SPEC		00779 C=1339015		SCALE 4:1		SHEET 1 OF 1	
4 PLC ±		ANGLES		WEIGHT		CUSTOMER DRAWING		REV D1			

