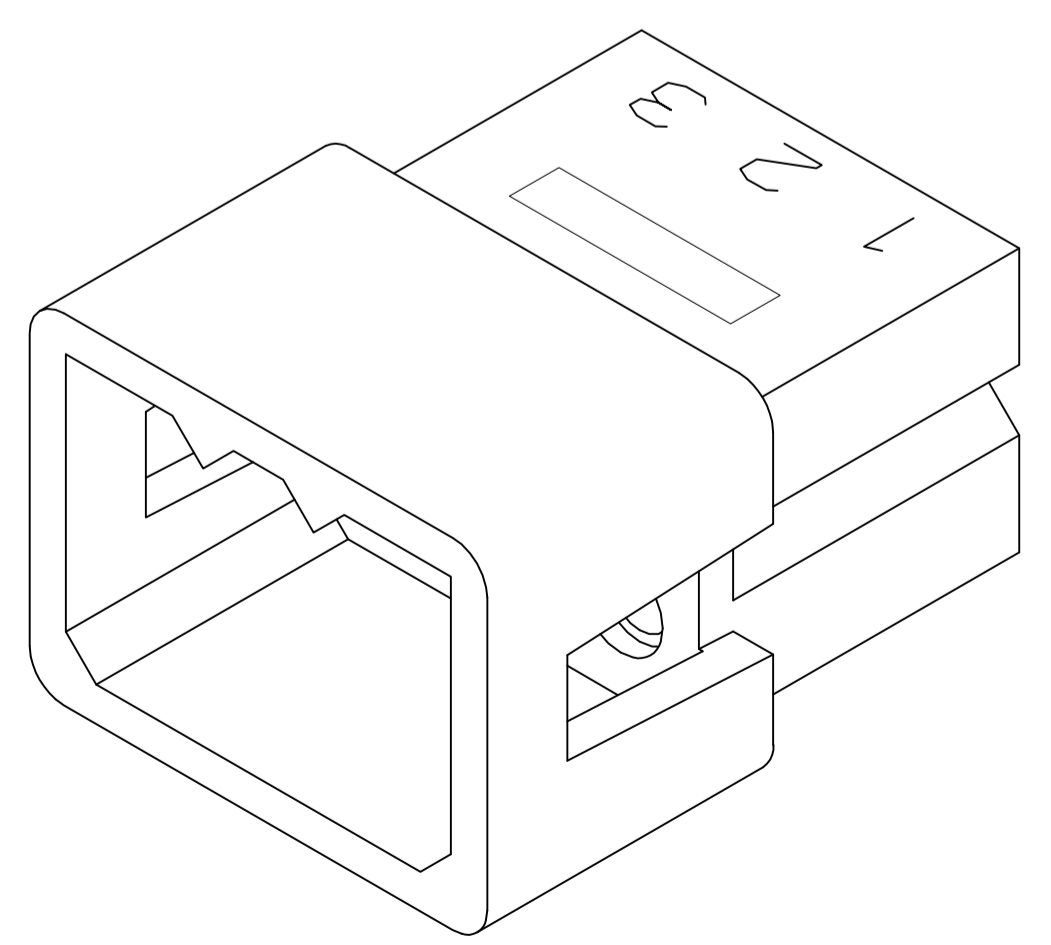
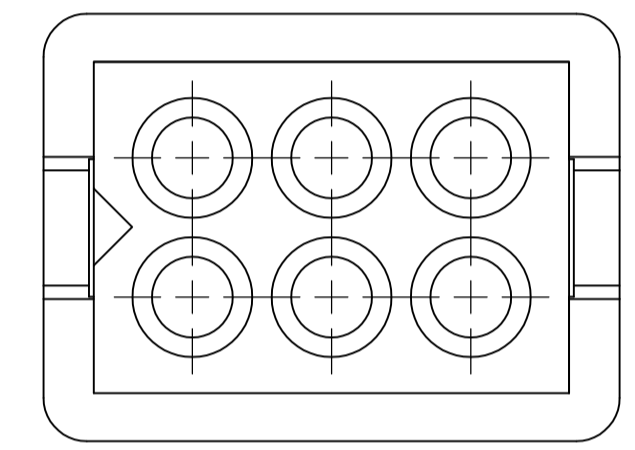
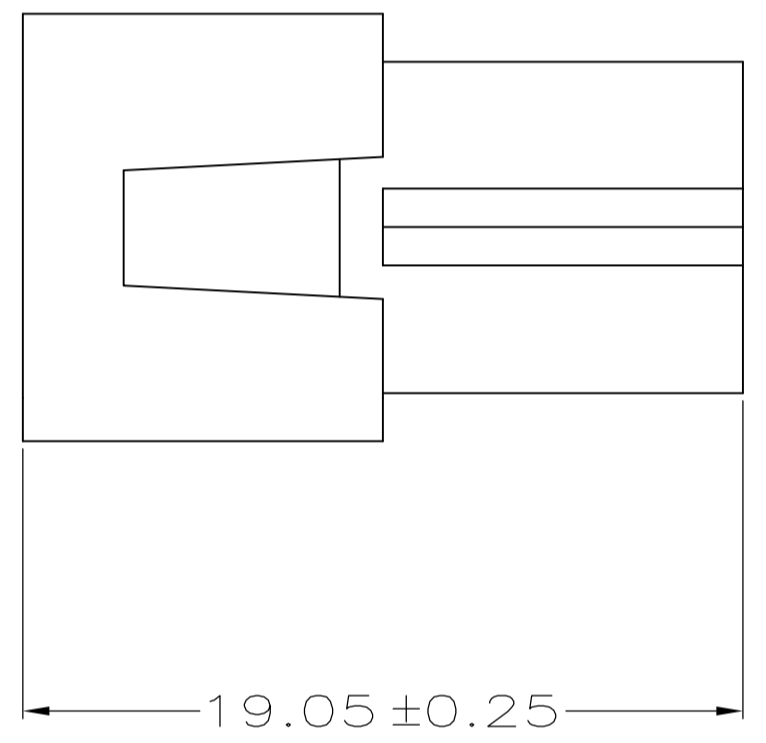
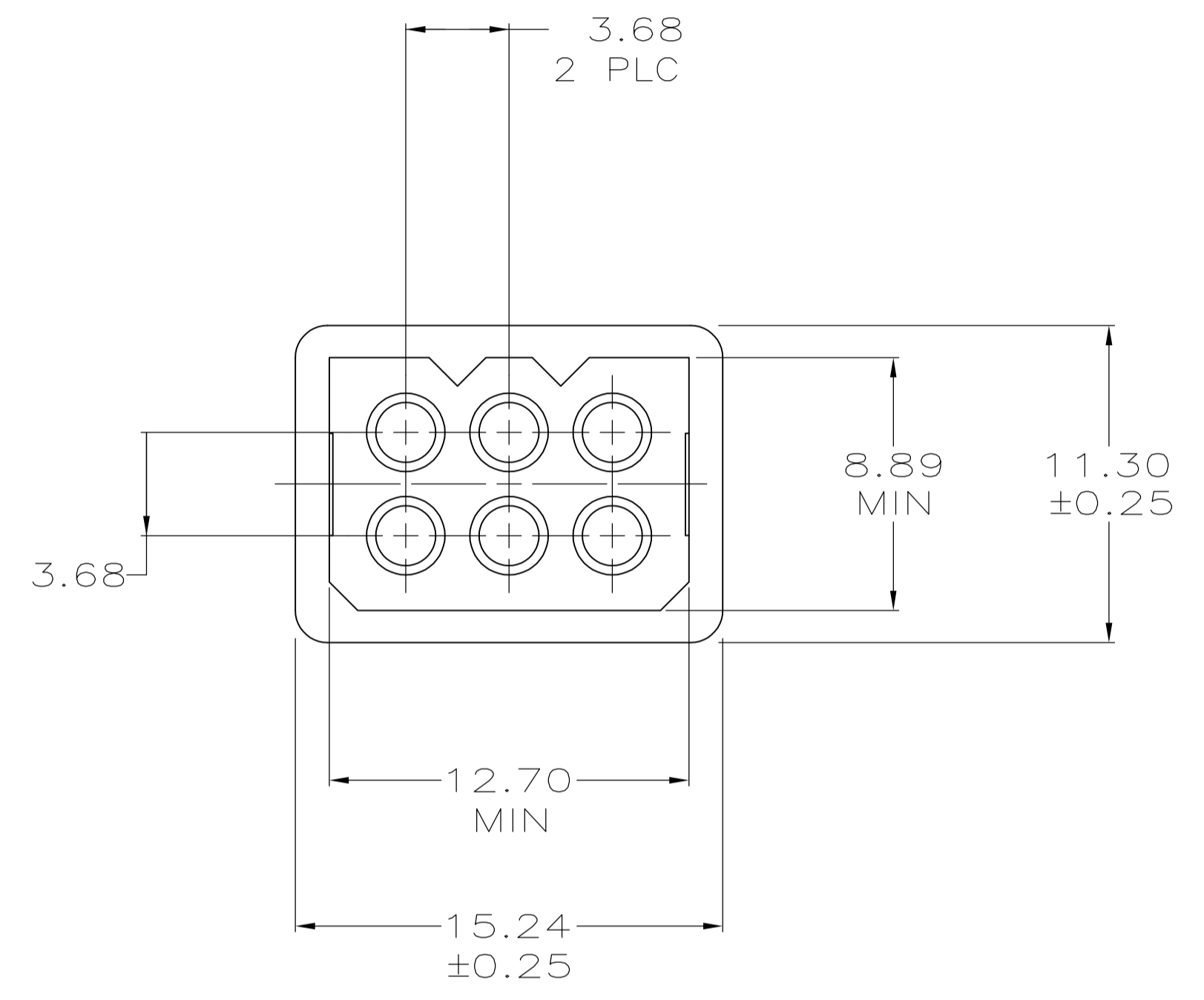
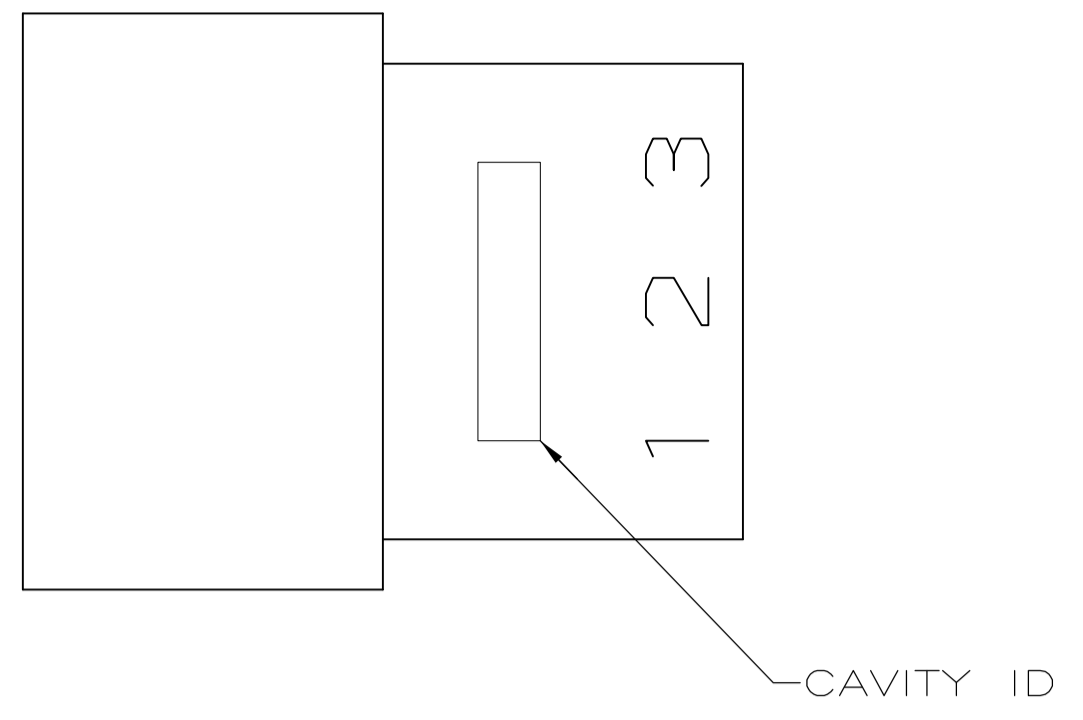
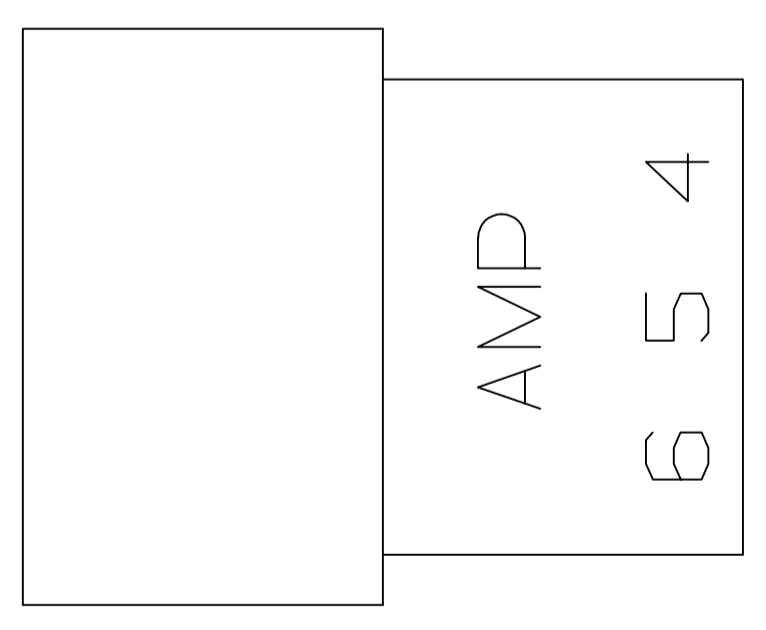


⚠ PRELIMINARY - NOT FOR PRODUCTION.



3-DIMENSIONAL MODEL
NTS



19.05	.750
15.24	.600
12.70	.500
11.30	.445
8.89	.350
3.68	.145
1.58	.062
0.25	.010
0.13	.005
MM	IN

CONVERSION TABLE

METRIC

THIS DRAWING IS A CONTROLLED DOCUMENT.		DIN K. WHITAKER 10-02-96	Tyco Electronics Corporation Harrisburg, PA 17105-3608															
DIMENSIONS: mm		CHK R. SWING 10-02-96	NAME Tyco Electronics															
TOLERANCES UNLESS OTHERWISE SPECIFIED:		APVO C. CASH 10-09-96	PRODUCT SPEC															
<table border="1"> <tr><td>0 PLC</td><td>±</td><td>-</td></tr> <tr><td>1 PLC</td><td>±</td><td>-</td></tr> <tr><td>2 PLC</td><td>±</td><td>0.13</td></tr> <tr><td>3 PLC</td><td>±</td><td>-</td></tr> <tr><td>4 PLC</td><td>±</td><td>-</td></tr> </table>		0 PLC	±	-	1 PLC	±	-	2 PLC	±	0.13	3 PLC	±	-	4 PLC	±	-	APPLICATION SPEC	
0 PLC	±	-																
1 PLC	±	-																
2 PLC	±	0.13																
3 PLC	±	-																
4 PLC	±	-																
MATERIAL SEE TABLE		WEIGHT																
FINISH		RESTRICTED TO																
CUSTOMER DRAWING		SIZE A1	CAGE CODE 00779	DRAWING NO 770355														
SCALE 5:1		SHEET 1 OF 1		REV C1														