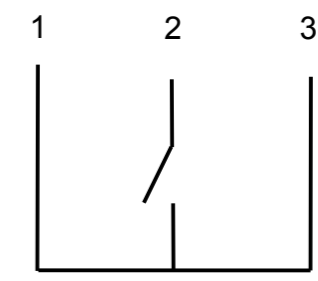
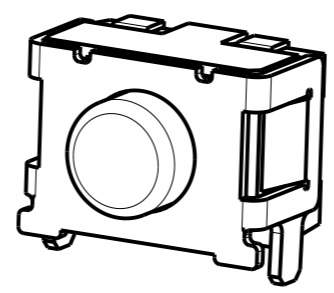
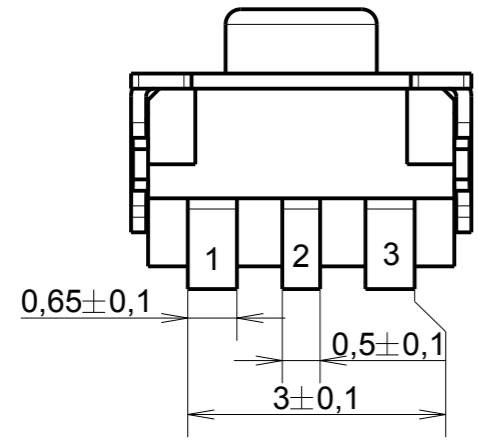
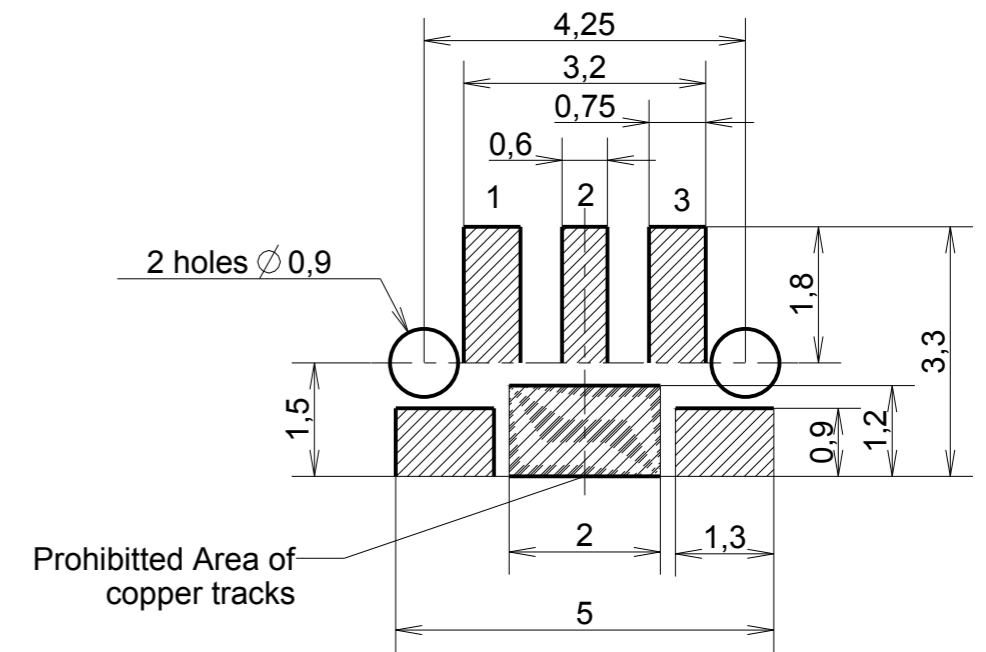
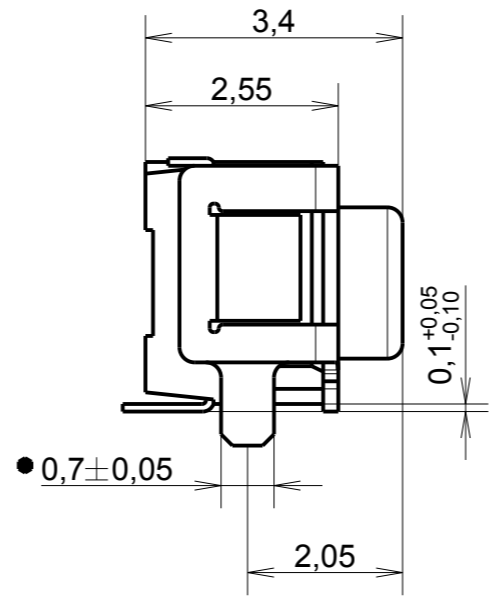
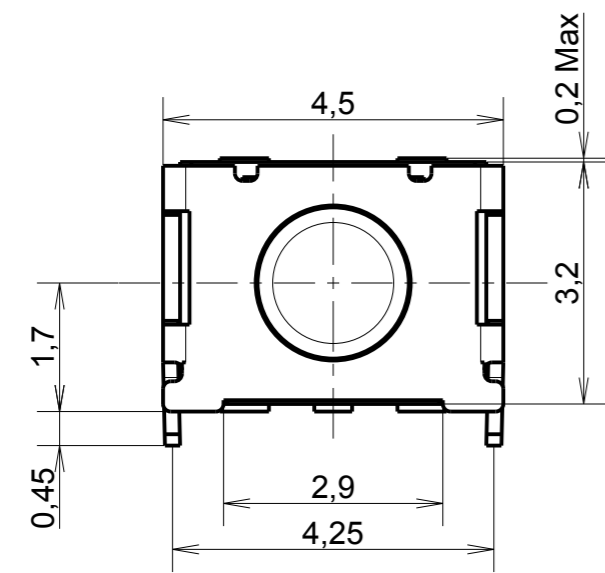


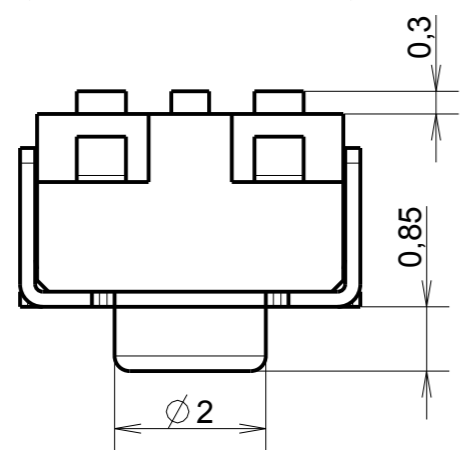
| REV. | N° ECR | NATURE OF MODIFICATION | DATE | VISA |
|------|-----------|---|----------|------|
| A | ECR-10895 | Modify tolerance $0.7 \pm 0.1 \gg \gg 0.7 \pm 0.05$ | 16/07/15 | ER |



SCHMATIC



RECOMMENDED PCB LAYOUT
Layout Tolerance ± 0.1



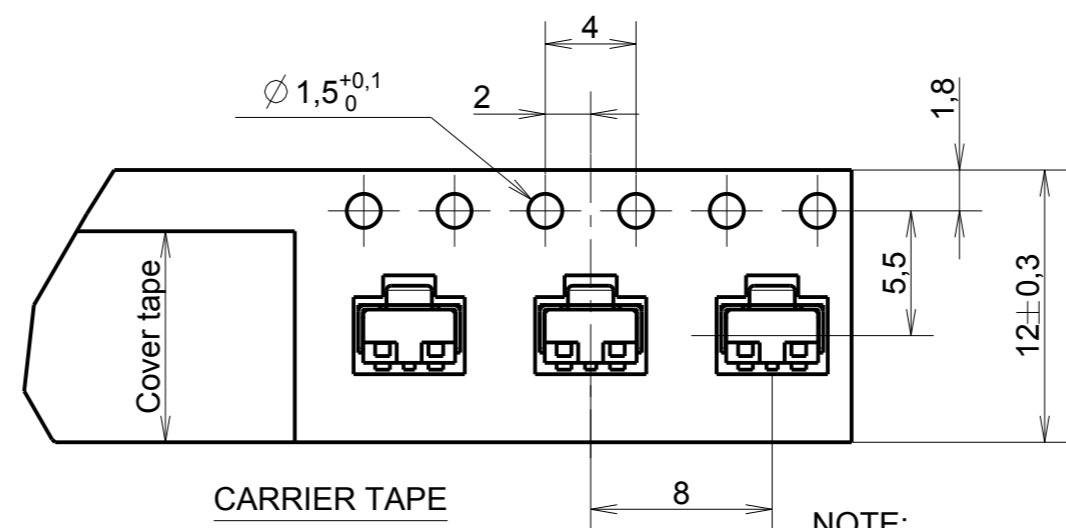
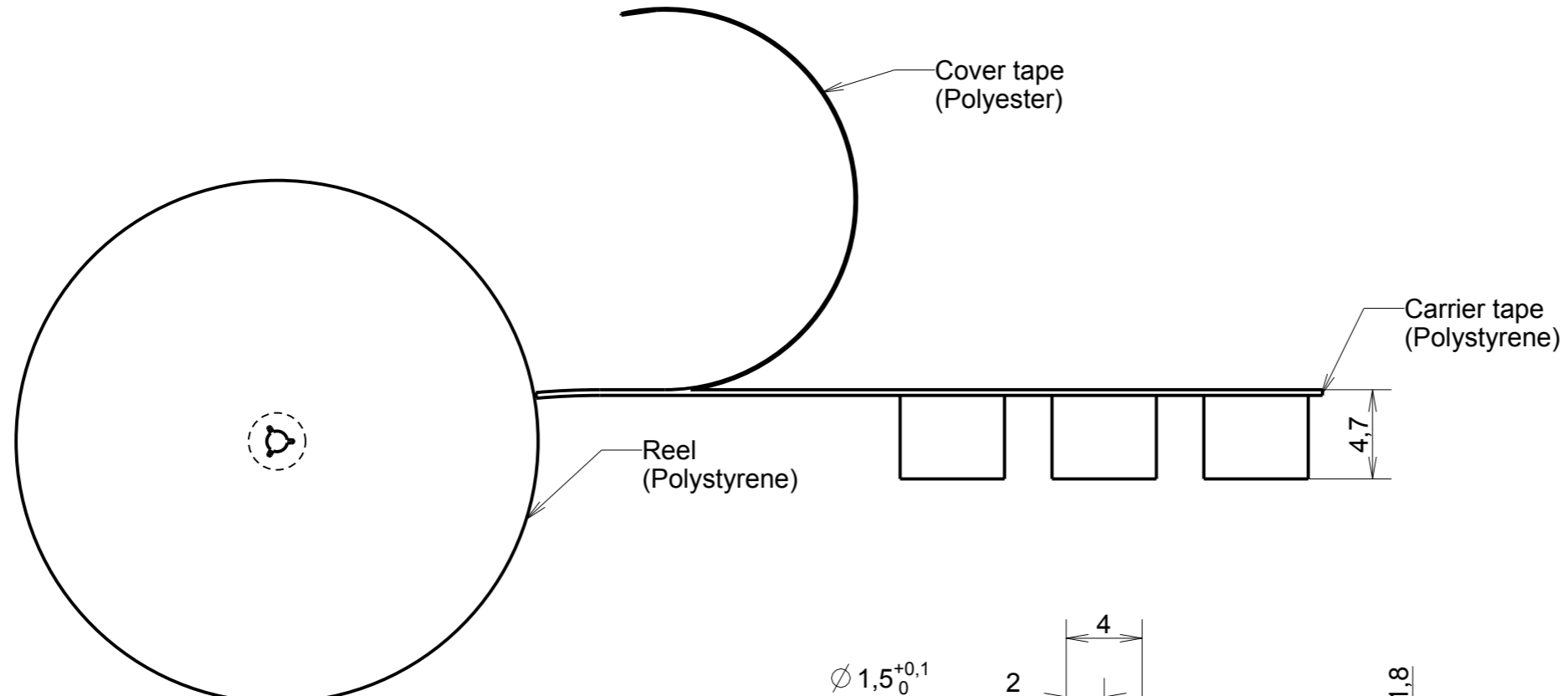
PTS 845 VX20P SMTR2 LFS
Actuation Force
M: 160 gf
H: 200gf

| PART NUMBER | DESIGNATION | ACTUATOR FORCE |
|---------------|-------------------------|----------------|
| Y97PS18B2ABFP | PTS 845 VM20P SMTR2 LFS | 160gf |
| Y97PS18B4ABFP | PTS 845 VH20P SMTR2 LFS | 200 gf |

| | | | |
|---|------------------|--|---|
| Material: . | Traitement: . | Protection: . | Volume: . |
| UNLESS OTHERWISE : - DIMENSIONS GIVEN BEFORE PROTECTION - BURRS AND SHARP EDGES DELETED | | ANGULAR TOLERANCE $\pm 1^\circ$ LINEAR TOLERANCE $\pm 0,2$ SURFACE FINISH Ra μ | CRITICAL DIMENSIONS \blacktriangledown SPC DIMENSIONS \blacktriangledown |
| CREATE BY RIFFAUD | DATE 08/04/14 | MODIFIED ON THIS REV. \bullet | |
| CHECKED BY Hurtard, Stephane | DATE 17/07/15 | REPLACE | |
| APPROVED BY Da Mota Pais, Mario | DATE 17/07/15 | MODIFICATION see revision table on the first sheet | |
| DRAWING DESCRIPTION | | FILENAME CU97M01845FP | STATE OFFICIEL |
| | | | |
| | | SCALE 10,00 | |
| DRAWING NUMBER CU97M01845FP | | REV A | |
| BP 359 - 39105 Dole - FRANCE - | | SIZE A3 | SHEET 1 / 2 |

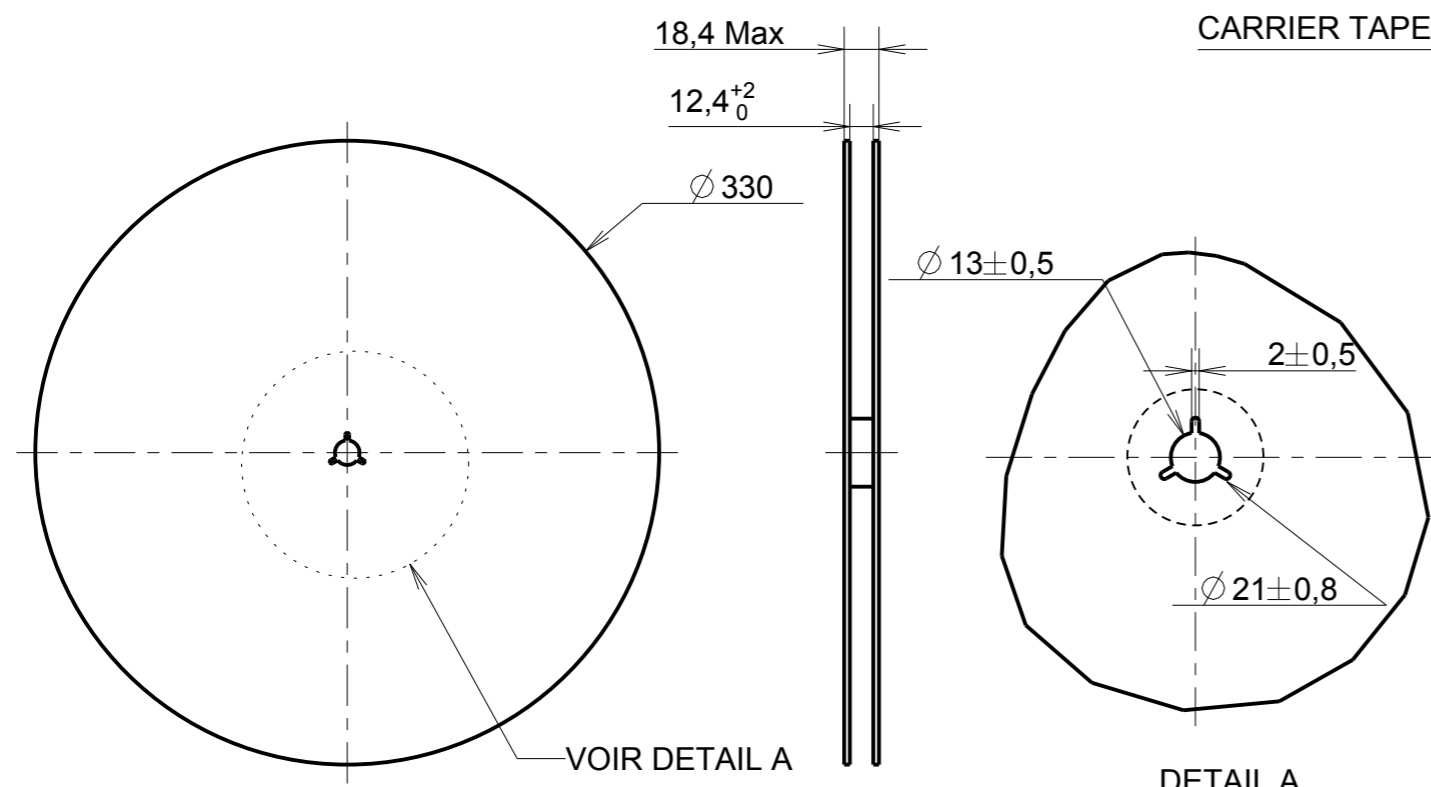
CONFIDENTIAL. This document and the information in it is the exclusive property of C&K Components and is not to be used or disclose without the express written permission of C&K Components.

A B C D E F



CARRIER TAPE

- NOTE:
- 1- Packaging quantity: 1900 Pcs/Reel
 - 2- More than 10 empty pockets should be remained at both ends of the carrier tape for each reel.
 - 3- Shortage less than 10 pcs a reel is acceptable but more than 3 running pockets shortage is not allowed.
 - 4- Stripping angle should be within 165°~ 180°.



VOIR DETAIL A

DETAIL A
SCALE 0,5

REEL

CONFIDENTIAL. This document and the information in it is the exclusive property of C&K Components and is not to be used or disclose without the express written permission of C&K Components.

| | | | |
|---|------------------|---|---|
| Material: . | Traitement: . | Protection: . | Volume: . |
| UNLESS OTHERWISE : - DIMENSIONS GIVEN BEFORE PROTECTION - BURRS AND SHARP EDGES DELETED | | ANGULAR TOLERANCE ± 1 ° LINEAR TOLERANCE ± 0,2 SURFACE FINISH Ra $\sqrt{\quad}$ μ | CRITICAL DIMENSIONS \blacktriangledown SPC DIMENSIONS \blacktriangledown |
| CREATE BY RIFFAUD | DATE 08/04/14 | | MODIFIED ON THIS REV. ● |
| CHECKED BY Hurtard, Stephane | DATE 17/07/15 | MODIFICATION see revision table on the first sheet REPLACE | |
| APPROVED BY Da Mota Pais, Mario | DATE 17/07/15 | FILENAME CU97M01845FP | STATE OFFICIEL |
| | | DRAWING DESCRIPTION | |
| | | PTS 845 VX20P SMTR2 LFS | |
| BP 359 - 39105 Dole - FRANCE - | | SIZE A3 | SHEET 2 / 2 |
| | | DRAWING NUMBER CU97M01845FP | |
| | | REV A | |

A B C D E F