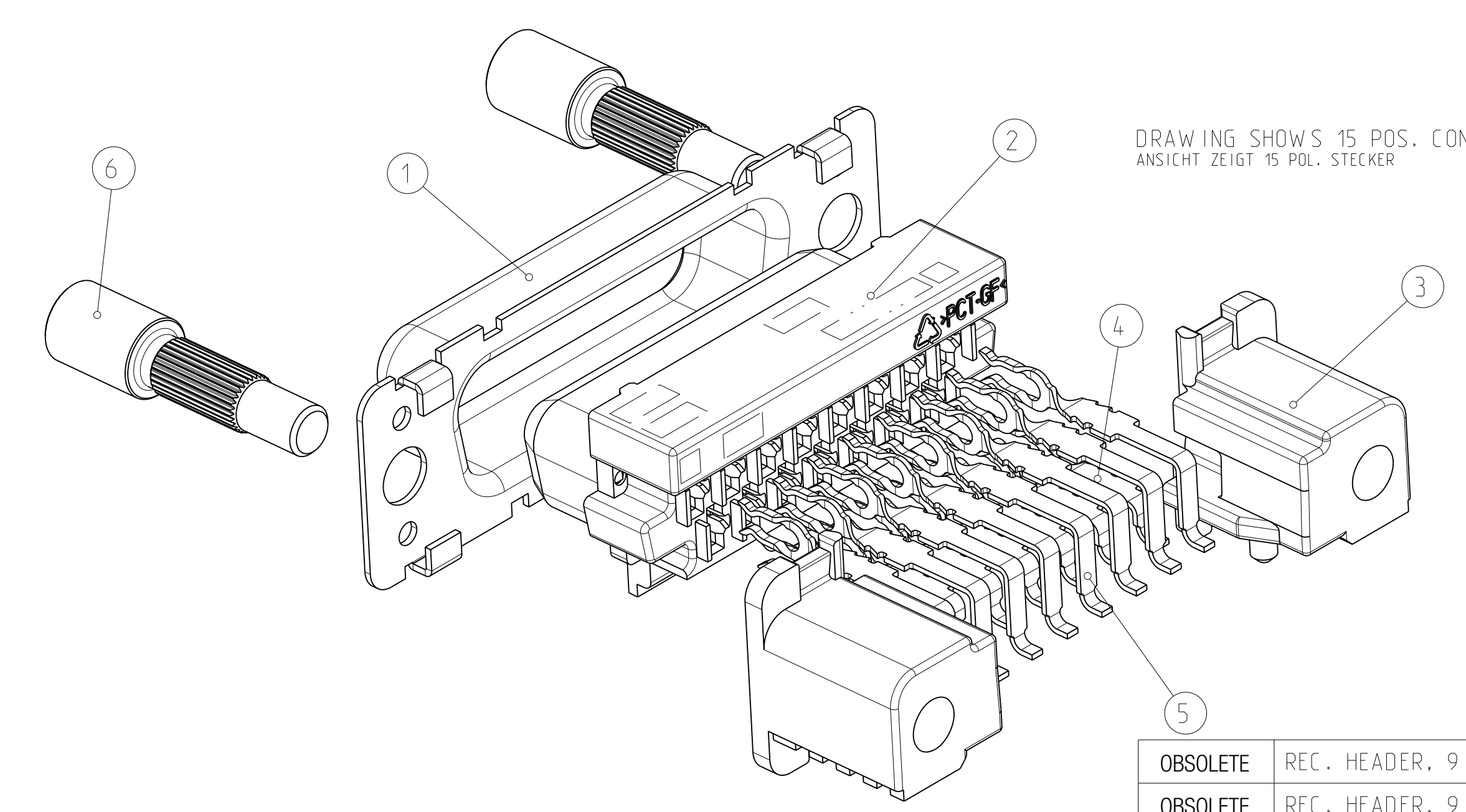
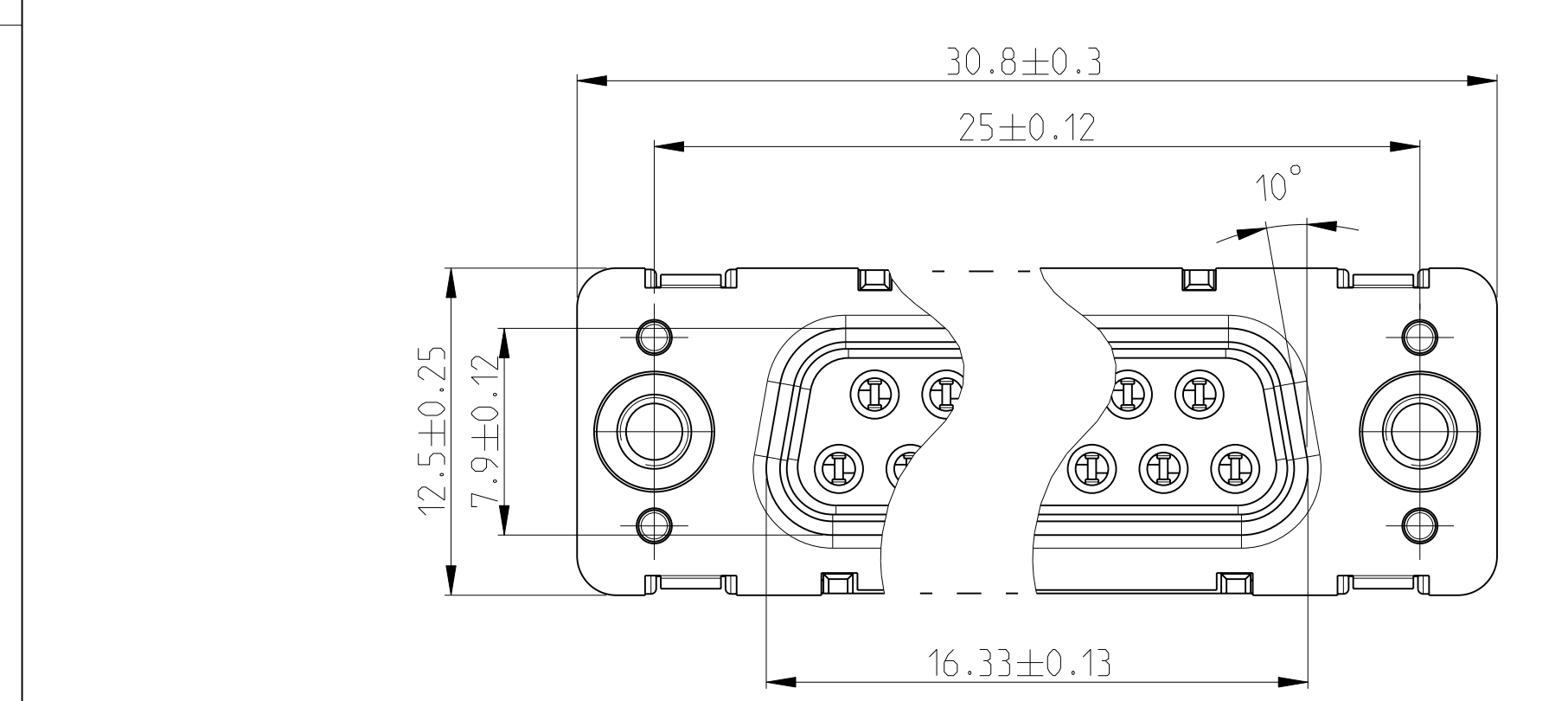
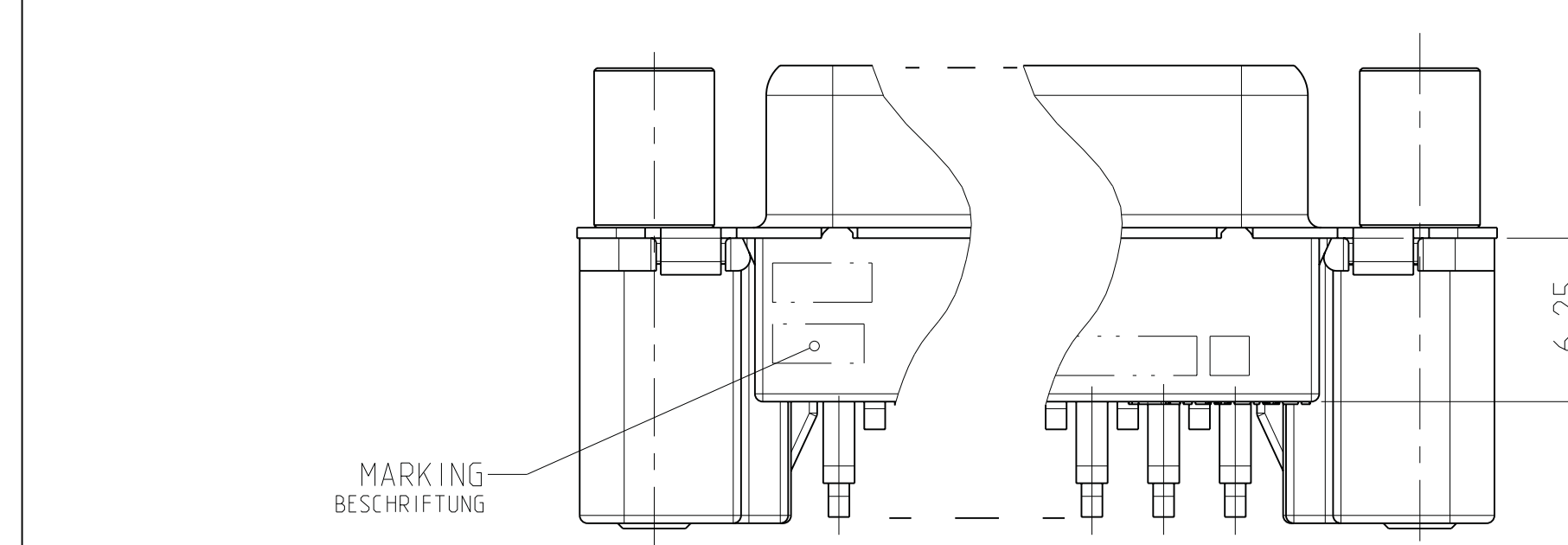
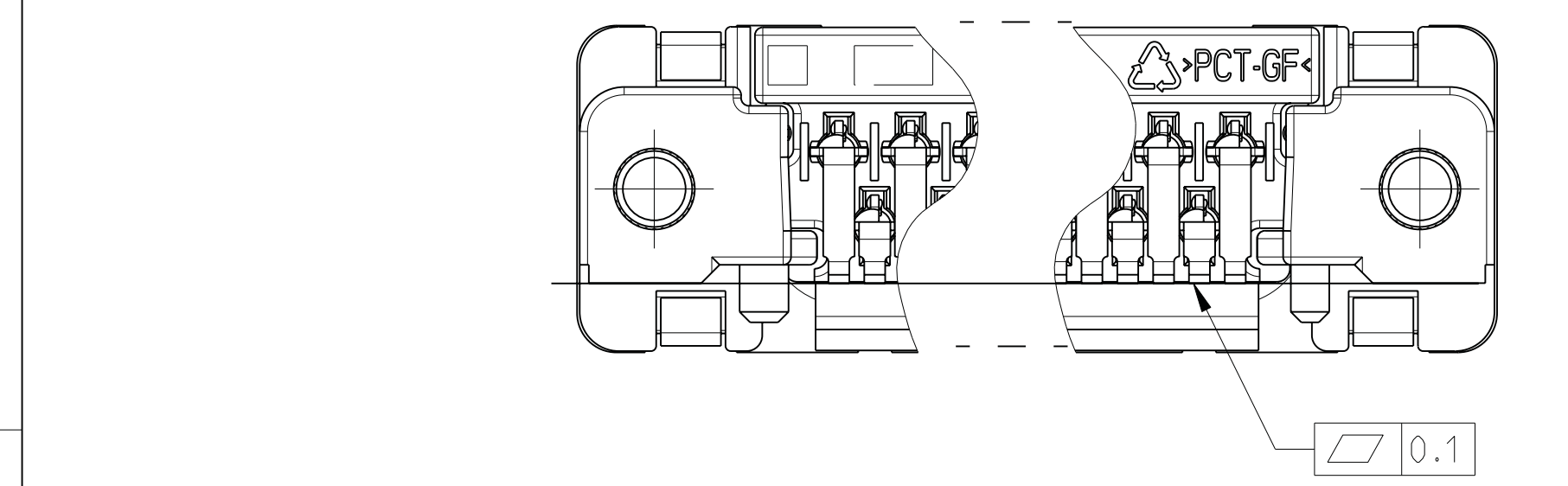
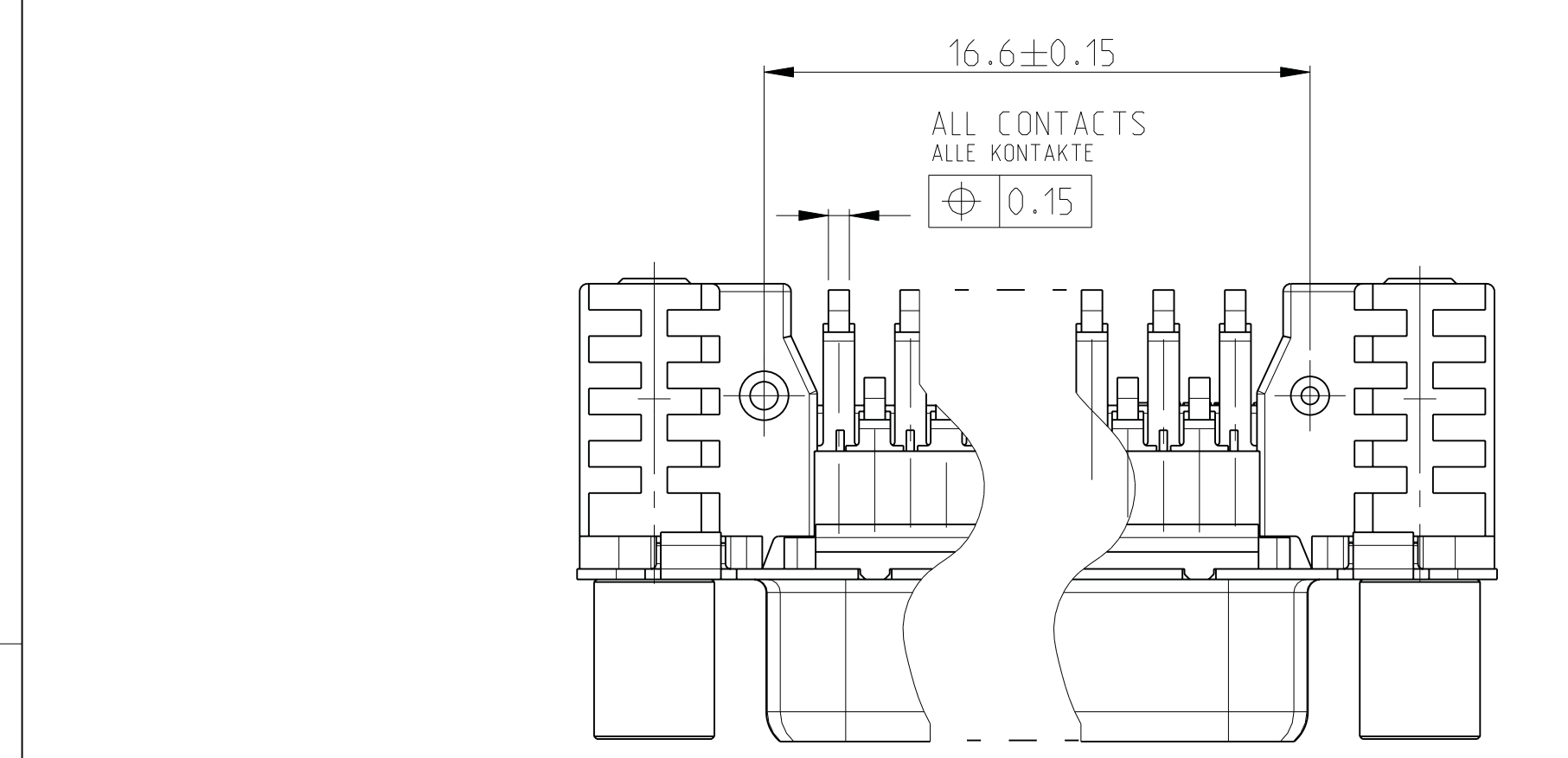
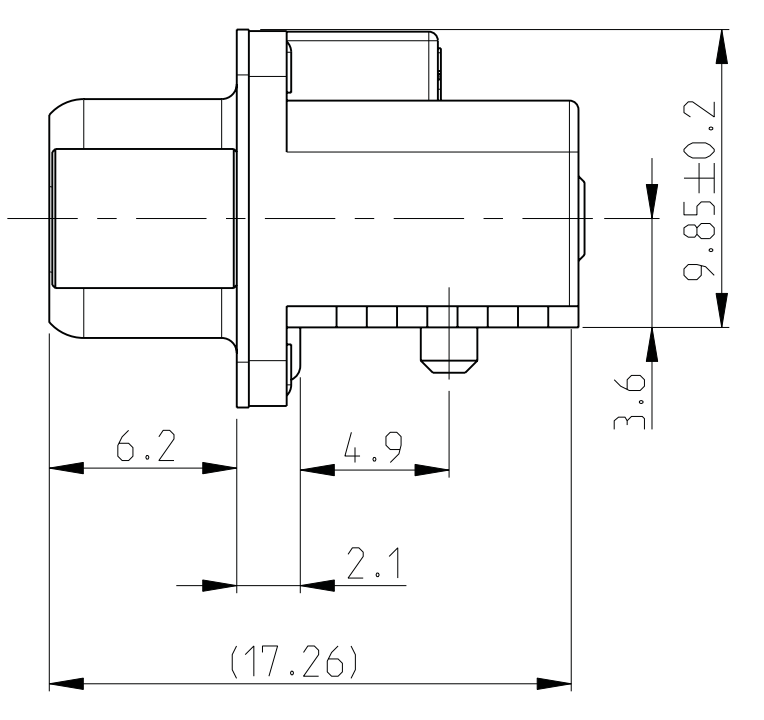


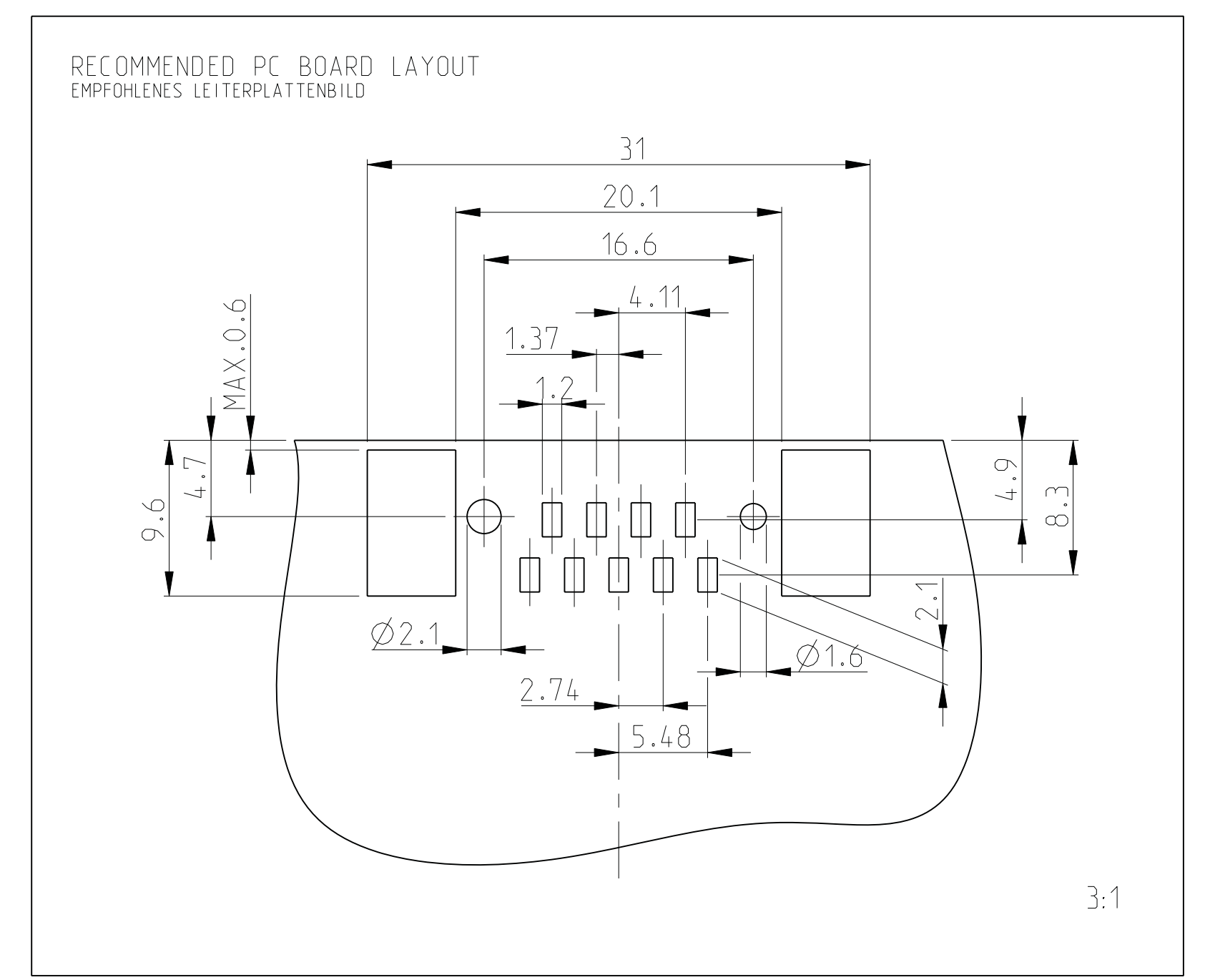
LOC	DIST	REVISIONS					
		P.	LTR	DESCRIPTION	DATE	DWN	APVD
A1	-	D1		REVISED PER ECO-11-005294	21MAR2011	RK	HMR
		E		REVISED PER ECO-12-000073	29FEB2012	CJV	SLB



DRAWING SHOWS 15 POS. CONNECTOR  
ANSICHT ZEIGT 15 POL. STECKER



OBSOLETE	REC. HEADER, 9 POS., STUD WITH THREAD M3	4-1740194-2	4-1740194-5
OBSOLETE	REC. HEADER, 9 POS., BRACKET WITH THREAD M3	2-1740194-2	2-1740194-5
	REC. HEADER, 9 POS., STUD WITH THREAD UNC 4/40	3-1740194-2	3-1740194-5
	REC. HEADER, 9 POS., BRACKET WITH THREAD UNC4-40	1-1740194-2	1-1740194-5
	REC. HEADER, 9 POS., BRACKET WITH HOLE Ø3.1	0-1740194-2	0-1740194-5
	DESCRIPTION	SHELL PLATING: TIN OVER Ni	SHELL PLATING: Ni



- REMARKS:
- △ CONTACT AREA: MIN. 0.8 µm Au OVER 1.27 µm Ni.  
SOLDER AREA: 3-5 µm Sn OVER MIN. 1.27 µm Ni
  - 2 PACKAGING SEE SHEET 2
  - 3 CONNECTOR SUITABLE FOR LEAD-FREE SMT SOLDER PROCESS
  - △ TIN OVER NICKEL

- BEMERKUNGEN:
- △ KONTAKTBEREICH: MIN. 0.8 µm Au UEBER 1.27 µm Ni.  
LOETBEREICH: 3-5 µm Sn UEBER MIN. 1.27 µm Ni
  - 2 VERPACKUNGSART SIEHE BLATT 2
  - 3 STECKER GEEIGNET FUER BLEIFREIES SMT LOETEN
  - △ ZINN UEBER NICKEL

POS.	QTY.	DESCRIPTION BENENNUNG	SURFACE OBERFLAECHE COLOUR/FARBE	MATERIAL
6	2	THREAD STUD GEWINDEBOLZEN	NICKEL	STEEL STAHL
5	5	REC. CONTACT, SMD, LONG BUCHSENKONTAKT, SMD, LANG	△	CuMg
4	4	REC. CONTACT, SMD, SHORT BUCHSENKONTAKT, SMD, KURZ	△	CuMg
3	2	BRACKET, SMD, LEFT/RIGHT W INKELSTÜCK, SMD, LINKS/RECHTS	△	CAST METAL DRUCKGUSS
2	1	REC. HOUSING BUCHSENGEHÄUSE	BLACK SCHWARZ	PCT-GF
1	1	SHELL SCHIRMBLECH	SEE TABLE SIEHE TABELLE	STEEL STAHL

THIS DRAWING IS A CONTROLLED DOCUMENT. DWN: LSCHLUETER 30NOV2004  
 CHN: M.SCHAARSCHMIDT 01DEC2004  
 NAME: HDP20 REC. HEADER, SMT, 9POS. HDP20 BUCHSENSTECKER, SMT, 9POL. EUROSTYLE

PRODUCT SPEC: 108-94.000  
 APPLICATION SPEC: VERARBEITUNGSSPEZ.

SIZE: A1 CAGE CODE: 00779 DRAWING NO: 1740194  
 SCALE: 5:1 SHEET: 1 OF 2 REV: E

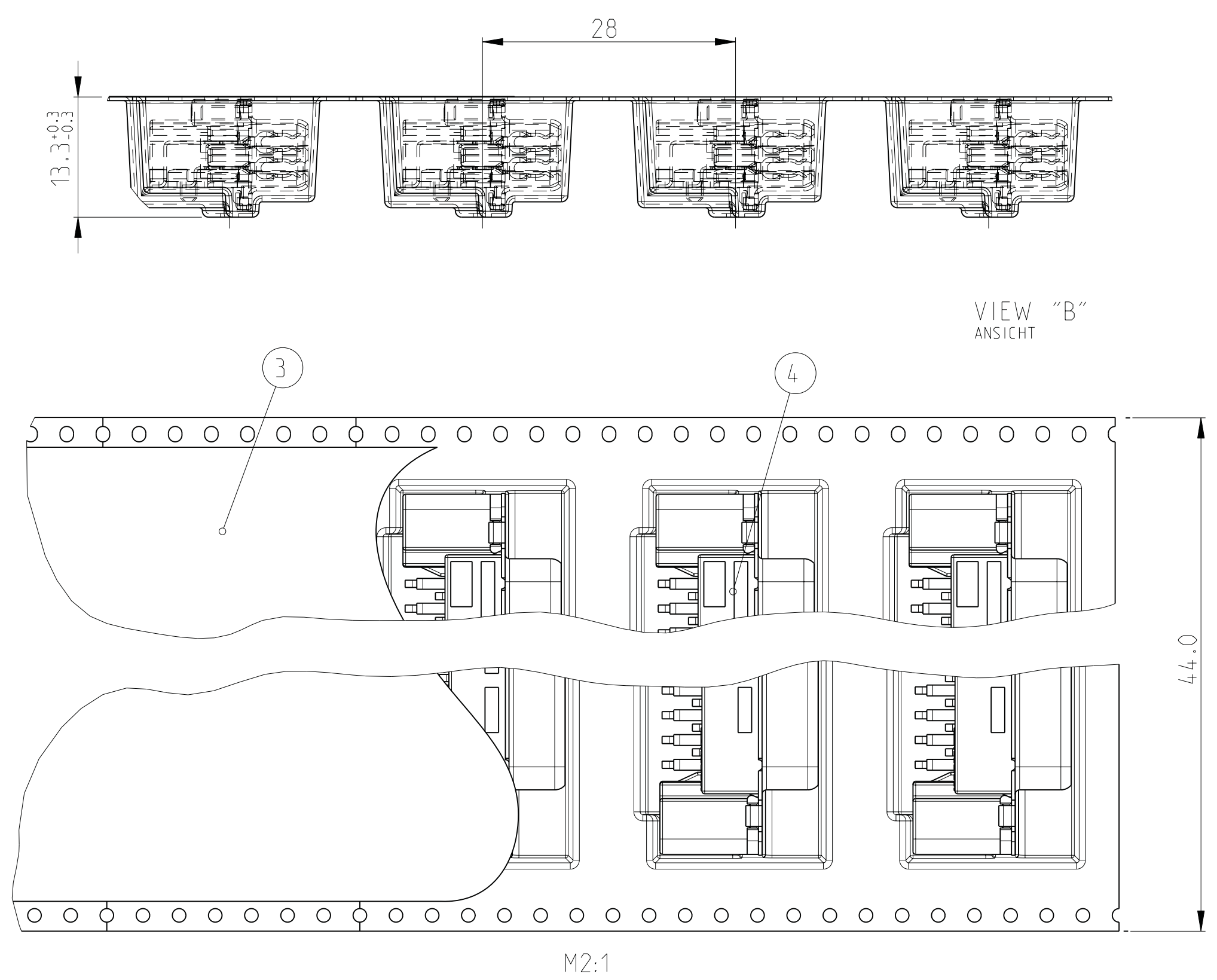
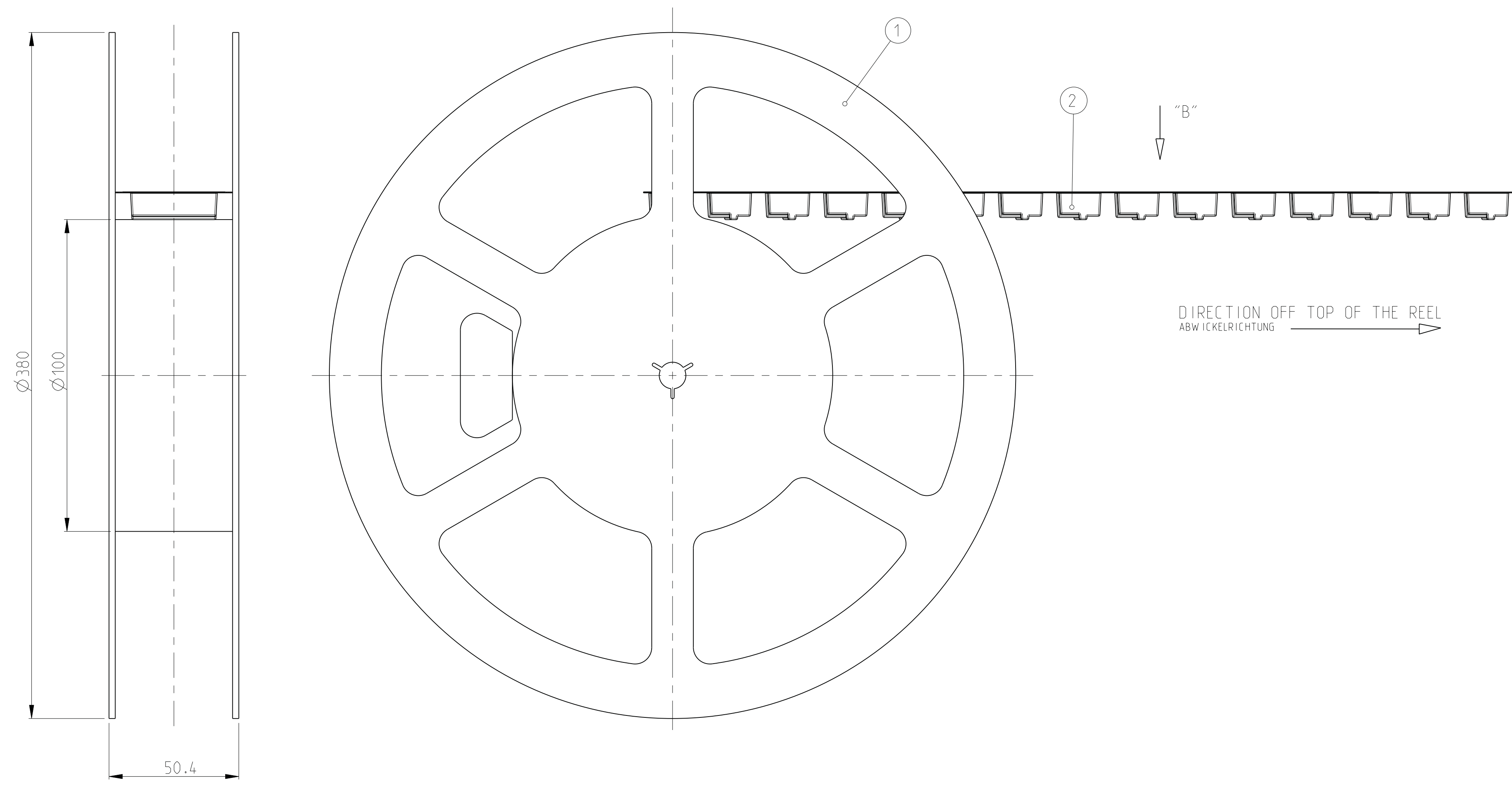
DATE: 21MAR2011  
 DATE: 29FEB2012

BY: RK  
 BY: CJV

CHKD: HMR  
 CHKD: SLB

THIS DRAWING IS UNCONTROLLED UNLESS INDICATED OTHERWISE. RELEASED FOR PUBLICATION FOR THE VERKEHRTECHNIK. DEC 2004. ALL RIGHTS RESERVED. DATE WITH PASSING TO: COPYRIGHT 2004. ALLE RECHTE VORBEHALTEN.

LOC	DIST	REV	DATE	OWN	APPRO
A1	-	-	-	-	-
REVISIONS					
DESCRIPTION					
SEE SHEET 1					



**REMARKS:**

- COVER TAPE WITH BLISTER BELT WELDED OR PASTED
- BLISTER BELT, COVER AND TAPE ACC. TO DIN/IEC 286 PART 3
- FIRST AND LAST RUNNING OF THE CARRIER TAPE ACC. TO DIN/IEC 286 PART 3
- 7m BLISTERBELT AND 7.1m COVER TAPE, 225 LOOSE PIECE PARTS

**BEMERKUNGEN:**

- ABDECKBAND MIT BLISTERGURT VERSCHWEISST ODER VERKLEBT
- BLISTERGURT, ABDECKBAND UND REEL NACH DIN/IEC 286 TEIL 3
- VOR- UND NACHLAUF AM BLISTERGURT NACH DIN/IEC 286 TEIL 3
- 7m BLISTERGURT UND 7.1m ABDECKBAND, 225 EINZELTEILE

1740194	POS.	QTY	PARTS						DESCRIPTION	SURFACE COLOUR/FARBE	MATERIAL
			4-1740194-2	3-1740194-2	2-1740194-2	1-1740194-2	0-1740194-2	OBSOLETE			
4	225	-	-	-	-	-	-	SUB-D REC. HEADER, 9 POS., STUD M3	-	-	
4	-	225	-	-	-	-	-	SUB-D REC. HEADER, 9 POS., STUD UNC4-40	-	-	
4	-	-	225	-	-	-	-	SUB-D REC. HEADER, 9 POS., M3	-	-	
4	-	-	-	225	-	-	-	SUB-D REC. HEADER, 9 POS., UNC4-40	-	-	
4	-	-	-	-	225	-	-	SUB-D REC. HEADER, 9 POS.	-	-	
3	7.1m	7.1m	7.1m	7.1m	7.1m	7.1m	7.1m	COVER BELT FOR BLISTER BELT	TRANSPARENT	PET	
2	7m	7m	7m	7m	7m	7m	7m	BLISTER BELT	GREY/BLACK	PS	
1	1	1	1	1	1	1	1	REEL-PACKING	GREY	PS	

THIS DRAWING IS A CONTROLLED DOCUMENT. DWG: L. SCHLUETER, 30NOV2004  
 CHK: M. SCHAARSCHMIDT, 01DEC2004  
 APVD: E. FELDMEIER, 01DEC2004

TE Connectivity

HDP20 REC. HEADER, SMT, 9POS.  
 HDP20 BUCHSENSTECKER, SMT, 9POL.  
 EUROSTYLE

SCALE: 5:1 SHEET 2 OF 2 REV E