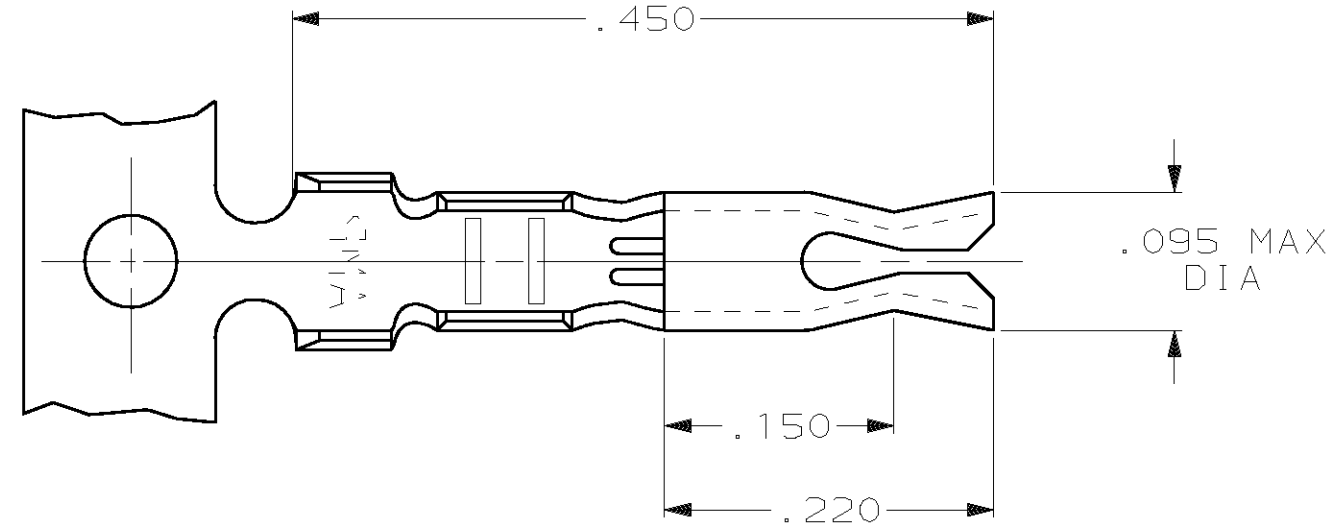
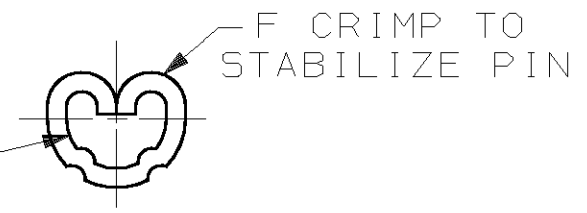


THIS DRAWING IS UNPUBLISHED. RELEASED FOR PUBLICATION, 19
 © COPYRIGHT 19 BY AMP INCORPORATED. ALL INTERNATIONAL RIGHTS RESERVED.

LOC	DIST	P	F	ZONE	LTR	DESCRIPTION	DATE	APPD
AF	50				AE	OBS -2 PER 0G3A-0533-00	01MAR01	JR/DD

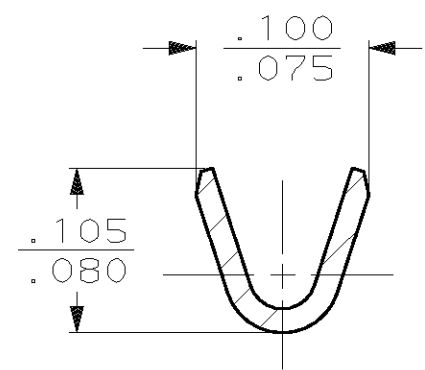
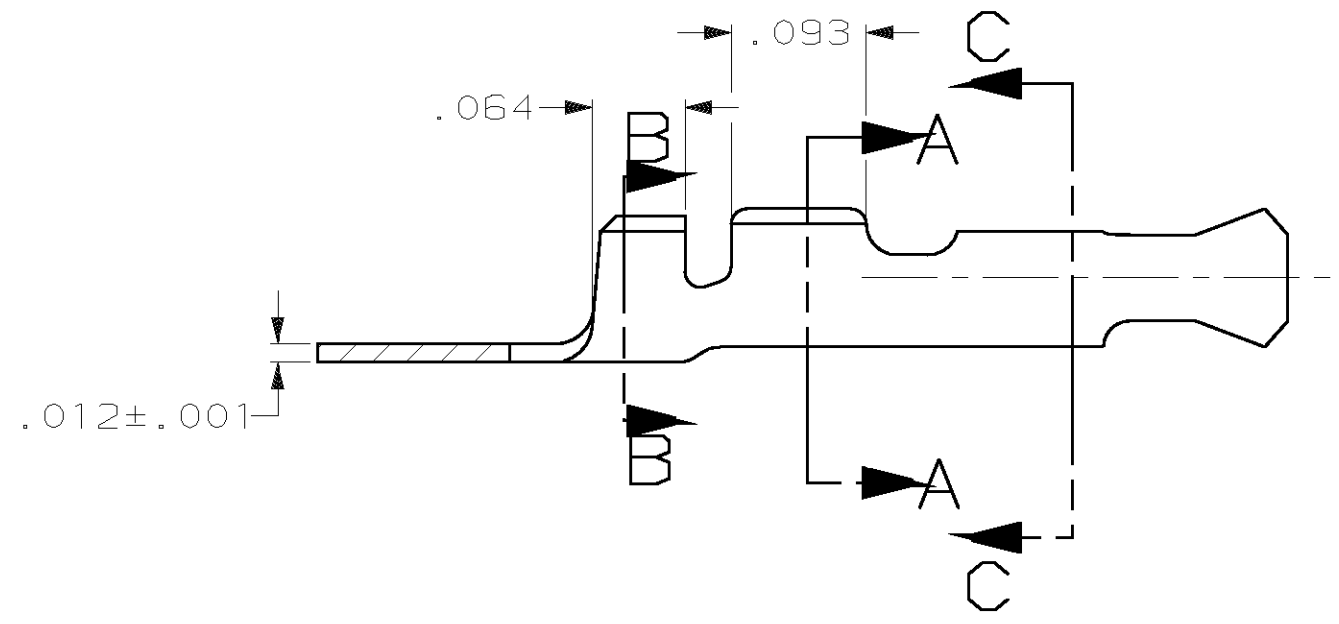


- 1 CONTINUOUS STRIP ON REELS
- 2 60373-4 IS REVERSE REELED.

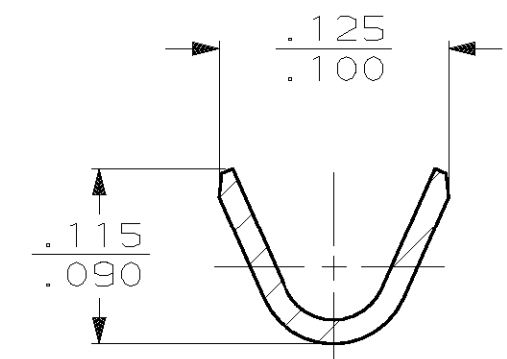


SECTION C-C

FITS .032±.001 DIA PIN



SECTION A-A
SCALE 10:1



SECTION B-B
SCALE 10:1

OBSOLETE	2 .048-.071 DIA	24-20 AWG	60373-4
	.048-.071 DIA	24 20 AWG	60373 2

TYPE	WIDTH	STRIP LENGTH ±.015	TYPE	WIDTH	±.002 HEIGHT	WIRE
F	.080	.150	F	.062	.046	20
					.043	22
					.040	24
INSUL BARREL CRIMP			WIRE BARREL CRIMP			

INSULATION RANGE		WIRE RANGE	PART NO
#4 HARD PHOS BRONZE		24-20 AWG	60373-4
FINISH .000080 MIN TIN PL			
DR 4/24/90 P FORTNEY		AMP AMP Incorporated Harrisburg, PA 17105-3608	
CHK 4/24/90 JR RUTH			
APPD 4/24/90 G YETTER		NAME	
APPD 4/24/90 R KUZO		PIN RECEPTACLE, .032 DIA	
PRODUCT SPEC	APPLIC. SPEC	SIZE	CAGE CODE
-	-	B	00779
WEIGHT -	SCALE 8:1	DRAWING NO	60373
		SHEET	1 OF 1