

LAYOUT SHOWN AS EXAMPLE

Keying Shown as example

**CHARACTERISTICS**

- Standard : Based on MIL-DTL-38999 Series III
- Shell Material : Aluminium
- Shell Plating : Nickel
- Insulator : Thermoplastic
- Contacts : Copper Alloy
- Seals & Grommet : Silicon Elastomer
- Contact Plating : Gold over copper Alloy 0.8µm minimum
- Durability : 500 Mating cycles
- Delivered with Souriau contacts and Accessories
- Temperature Range : -65°C to +200°C
- Salt Spray : 48 hours
- Mass : 68.7 g ± 10%

Connector dimension	
Dim	Nominal
P	3.91±0.2
PP	6.15±0.2
R1	34.93
R2	31.75
S	42.9±0.3
V	20.07+0/-1.25
W	2.1/3.2
Z	31.5 Max
VV THREAD	M34x1-6g

SOURIAU shall not be liable for any non-conformity or damage due to a use of the Products which does not comply with the Specifications issued by either of the Parties or by a third party (professional recommendation, technical notice.)

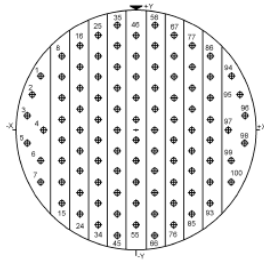
Country	Jurisdiction & Control List
FR	Not Listed

**PN: 8D023F35SN**

A	22-09-2016	First Release	
ISS	DATE	Latest modification - by	MOD N°
Designed By:		Date:	<b>CUSTOMER DRAWING</b>
<b>TITLE</b>	<b>Aluminium Receptacle 8D series</b>		
SCALE		General linear Tolerances: ±--	NPRDS / PROJECT <b>859</b>
NA	<b>SOURIAU</b> <a href="http://WWW.SOURIAU.COM">WWW.SOURIAU.COM</a>		This document is the property of SOURIAU it must not be reproduced or communicated without permission
FORMAT	<b>A3</b>		<b>SOURIAU DRG N° 8D023F35SN-C</b> SHEET 1/2

BASIC SERIES:	8D	0	-	23	F	35	S	N
SHELL TYPE	: Square Flange Receptacle							
CONTACT TYPE	: Standard Crimp Contact							
SHELL SIZE	: 23							
PLATING	: F = Nickel							
								ORIENTATION : N
								CONTACT TYPE : SOCKET(500 Matings)
								CONTACT LAYOUT : 23-35

Contact Layout



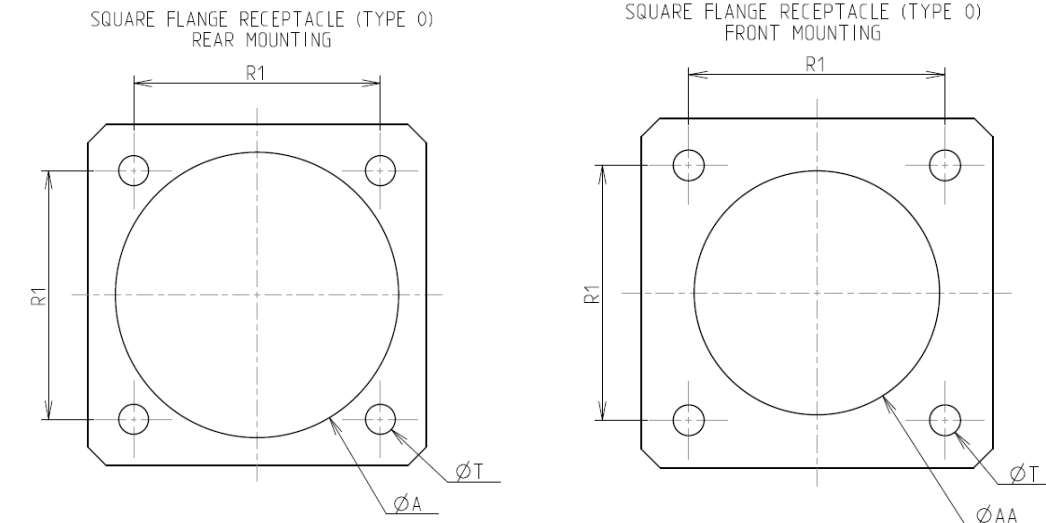
Contacts (Insert arrangement 23-35)					
Contact position ID	Location		Contact position ID	Location	
	X-axis (mm)	Y-axis (mm)		X-axis (mm)	Y-axis (mm)
1	-428 (10.87)	+241 (6.12)	51	+000 (0.00)	-.047 (1.19)
2	-467 (11.86)	+154 (3.91)	52	+000 (0.00)	-.142 (3.61)
3	-488 (12.40)	+061 (1.55)	53	+000 (0.00)	-.237 (6.02)
4	-.415 (10.54)	+000 (0.00)	54	+000 (0.00)	-.332 (8.43)
5	-488 (12.40)	-.061 (1.55)	55	+000 (0.00)	-.427 (10.85)
6	-428 (10.87)	-.142 (3.61)	56	+083 (2.11)	-.475 (12.07)
7	-428 (10.87)	-.237 (6.02)	57	+083 (2.11)	-.380 (9.65)
8	-.332 (8.43)	+333 (8.46)	58	+083 (2.11)	-.285 (7.24)
9	-.332 (8.43)	+238 (6.05)	59	+083 (2.11)	-.190 (4.83)
10	-.332 (8.43)	+143 (3.63)	60	+083 (2.11)	-.095 (2.41)
11	-.332 (8.43)	+048 (1.22)	61	+083 (2.11)	+000 (0.00)
12	-.332 (8.43)	-.047 (1.19)	62	+083 (2.11)	-.095 (2.41)
13	-.332 (8.43)	-.142 (3.61)	63	+083 (2.11)	-.190 (4.83)
14	-.332 (8.43)	-.237 (6.02)	64	+083 (2.11)	-.285 (7.24)
15	-.332 (8.43)	-.332 (8.43)	65	+083 (2.11)	-.380 (9.65)
16	-.249 (6.32)	+380 (9.65)	66	+083 (2.11)	-.475 (12.07)
17	-.249 (6.32)	+285 (7.24)	67	+166 (4.22)	+428 (10.87)
18	-.249 (6.32)	+190 (4.83)	68	+166 (4.22)	+333 (8.46)

Contacts (Insert arrangement 23-35)					
Contact position ID	Location		Contact position ID	Location	
	X-axis (mm)	Y-axis (mm)		X-axis (mm)	Y-axis (mm)
19	-.249 (6.32)	+095 (2.41)	69	+166 (4.22)	+238 (6.05)
20	-.249 (6.32)	+000 (0.00)	70	+166 (4.22)	+143 (3.63)
21	-.249 (6.32)	-.095 (2.41)	71	+166 (4.22)	+048 (1.22)
22	-.249 (6.32)	-.190 (4.83)	72	+166 (4.22)	-.047 (1.19)
23	-.249 (6.32)	-.285 (7.24)	73	+166 (4.22)	-.142 (3.61)
24	-.249 (6.32)	-.380 (9.65)	74	+166 (4.22)	-.237 (6.02)
25	-.166 (4.22)	+428 (10.87)	75	+166 (4.22)	-.332 (8.43)
26	-.166 (4.22)	+333 (8.46)	76	+166 (4.22)	-.427 (10.85)
27	-.166 (4.22)	+238 (6.05)	77	+249 (6.32)	+380 (9.65)
28	-.166 (4.22)	+143 (3.63)	78	+249 (6.32)	+285 (7.24)
29	-.166 (4.22)	+048 (1.22)	79	+249 (6.32)	+190 (4.83)
30	-.166 (4.22)	-.047 (1.19)	80	+249 (6.32)	+095 (2.41)
31	-.166 (4.22)	-.142 (3.61)	81	+249 (6.32)	+000 (0.00)
32	-.166 (4.22)	-.237 (6.02)	82	+249 (6.32)	-.095 (2.41)
33	-.166 (4.22)	-.332 (8.43)	83	+249 (6.32)	-.190 (4.83)
34	-.166 (4.22)	-.427 (10.85)	84	+249 (6.32)	-.285 (7.24)
35	-.083 (2.11)	+475 (12.07)	85	+249 (6.32)	-.380 (9.65)
36	-.083 (2.11)	+380 (9.65)	86	+332 (8.43)	+333 (8.46)
37	-.083 (2.11)	+285 (7.24)	87	+332 (8.43)	+238 (6.05)
38	-.083 (2.11)	+190 (4.83)	88	+332 (8.43)	+143 (3.63)
39	-.083 (2.11)	+095 (2.41)	89	+332 (8.43)	+048 (1.22)
40	-.083 (2.11)	+000 (0.00)	90	+332 (8.43)	-.047 (1.19)
41	-.083 (2.11)	-.095 (2.41)	91	+332 (8.43)	-.142 (3.61)
42	-.083 (2.11)	-.190 (4.83)	92	+332 (8.43)	-.237 (6.02)
43	-.083 (2.11)	-.285 (7.24)	93	+332 (8.43)	-.332 (8.43)
44	-.083 (2.11)	-.380 (9.65)	94	+428 (10.87)	+241 (6.12)
45	-.083 (2.11)	-.475 (12.07)	95	+467 (11.86)	+154 (3.91)
46	+000 (0.00)	+428 (10.87)	96	+488 (12.40)	+061 (1.55)

Contacts (Insert arrangement 23-35)					
Contact position ID	Location		Contact position ID	Location	
	X-axis (mm)	Y-axis (mm)		X-axis (mm)	Y-axis (mm)
47	+000 (0.00)	+333 (8.46)	97	+415 (10.54)	+000 (0.00)
48	+000 (0.00)	+238 (6.05)	98	+488 (12.40)	-.061 (1.55)
49	+000 (0.00)	+143 (3.63)	99	+428 (10.87)	-.142 (3.61)
50	+000 (0.00)	+048 (1.22)	100	+428 (10.87)	-.237 (6.02)

(Applicable to MIL-DTL-38999 only)						
Shell size	Arrangement no.	Number of contacts	Size contacts	Service rating	Contact location	Supersedes
23	-35	100	220	M	All	MS27532-35

Panel Cutout



Dim	Nominal
ØA	39.29 min
ØAA	34.93 min
R1	34.93
ØT	3.91 ±0.13

SOURIAU shall not be liable for any non-conformity or damage due to a use of the Products which does not comply with the Specifications issued by either of the Parties or by a third party (professional recommendation, technical notice.)

Country	Jurisdiction & Control List
FR	Not Listed

PN: 8D023F35SN

A	22-09-2016	First Release	
ISS	DATE	Latest modification - by	MOD N°
Designed By:		Date:	CUSTOMER DRAWING
TITLE		Aluminium Receptacle 8D series	
SCALE	NA	General linear Tolerances: ±--	NPRDS / PROJECT 859
SOURIAU		WWW.SOURIAU.COM	
FORMAT		SOURIAU DRG N° 8D023F35SN-C	
A3		SHEET 2/2	

This document is the property of SOURIAU it must not be reproduced or communicated without permission