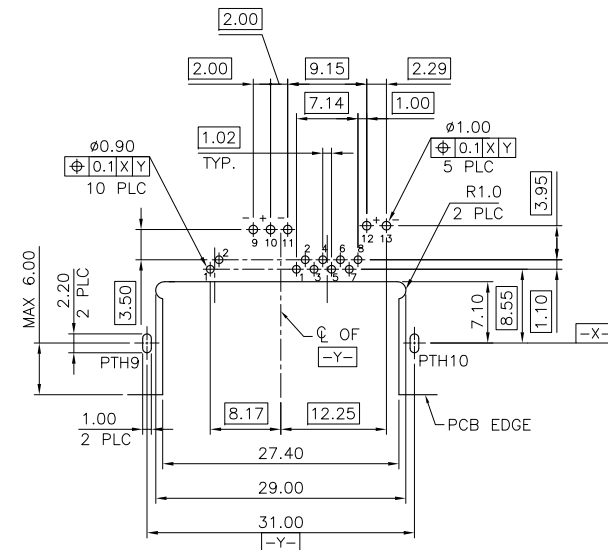
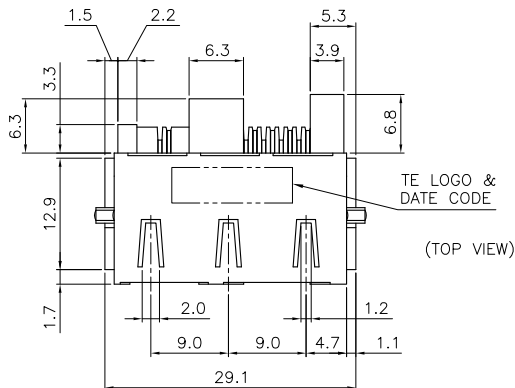
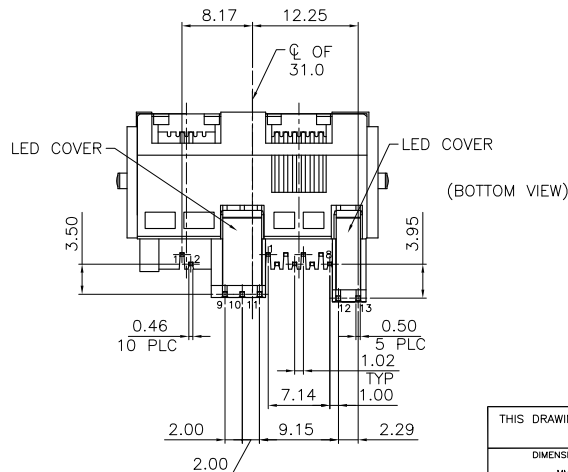
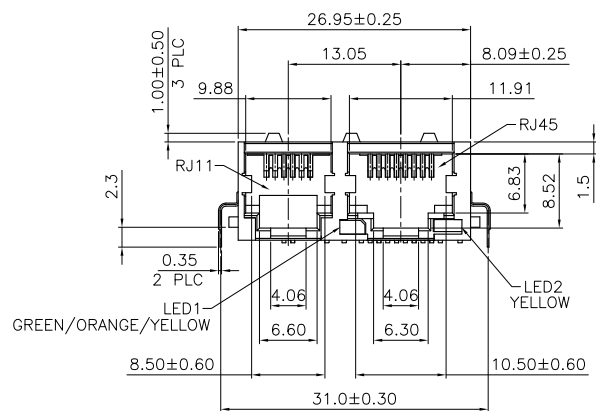
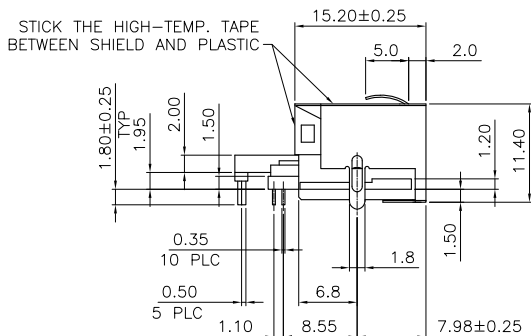


LOC	DIST	REVISIONS			
P	LTR	DESCRIPTION	DATE	OWN	APVD
DW	-	B	ECR-12-012115	26OCT12	EL WK

LED CURRENT DIAGRAM					
LED 1			LED 2		
NODE	COLOR		NODE	COLOR	
9(-)	10(+)	GREEN	12(+)	13(-)	YELLOW
11(-)	10(+)	ORANGE			
9(-)&11(-)	10(+)	YELLOW			



RECOMMENDED PCB LAYOUT (THICKNESS: 1.2mm)  
 DIMENSION TOLERANCE: (1 PLC: ±0.1 2PLC: ±0.05)  
 TOP VIEW



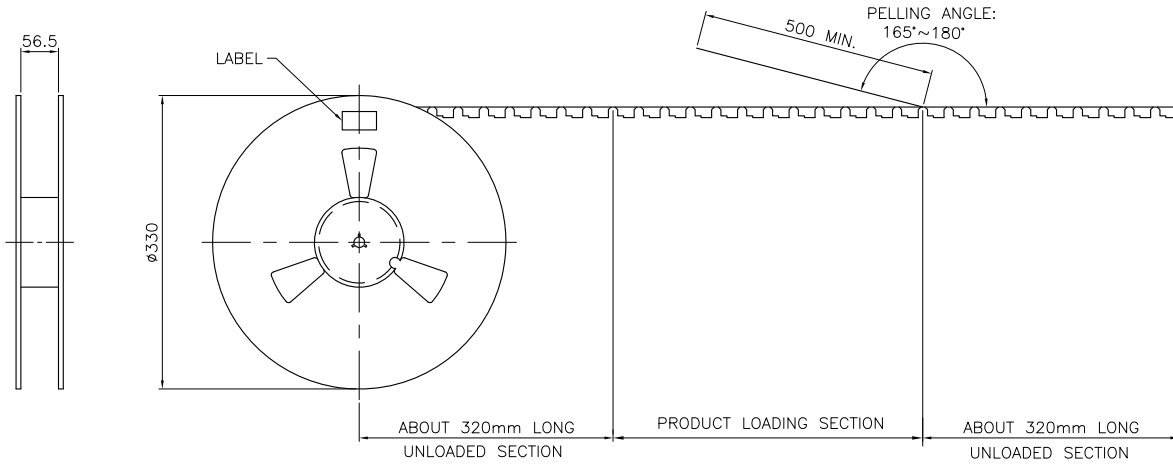
- NOTE:
- MATERIAL:  
 HOUSING: PA9T WITH 33% GF, UL94 V-0, COLOR: BLACK.  
 LED COVER: PA46 WITH 30% GF, UL94 V-0, COLOR: BLACK.  
 CONTACTS: PHOSPHOR BRONZE.  
 SHELL: BRASS.  
 LED SOLDER TAIL: COLD ROLLED STEEL SHEET.
  - FINISH:  
 CONTACTS: (SEE TABLE) GOLD PLATED ON CONTACT AREA, GOLD FLASH ON SOLDER TAIL, WITH ENTIRE CONTACT UNDERPLATED 1.27µm [50µ"] MIN. NICKEL.  
 SHELL: 0.508µm [20µ"] MIN. NICKEL PLATED.  
 LED SOLDER TAIL: 2.159µm [85µ"] MIN. TIN PLATED.
  - REFLOW SOLDER CAPABLE TO 260°C AS PER TE SPEC. 109-201, CONDITION B.

OBsolete	1.27µm [50µ"]	-1775754-4-
	0.762µm [30µ"]	1775754-3
OBsolete	0.381µm [15µ"]	-1775754-2-
OBsolete	0.152µm [6µ"]	-1775754-1-
	MIN. GOLD THICKNESS	PART NUMBER

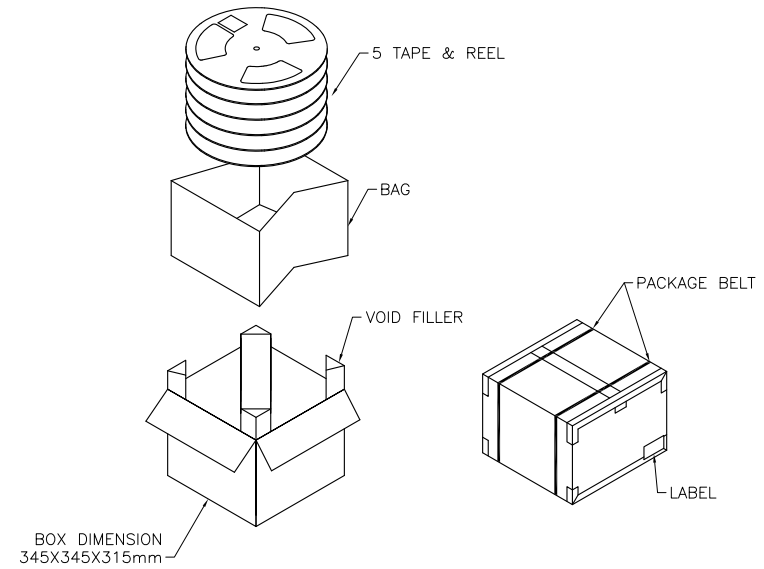
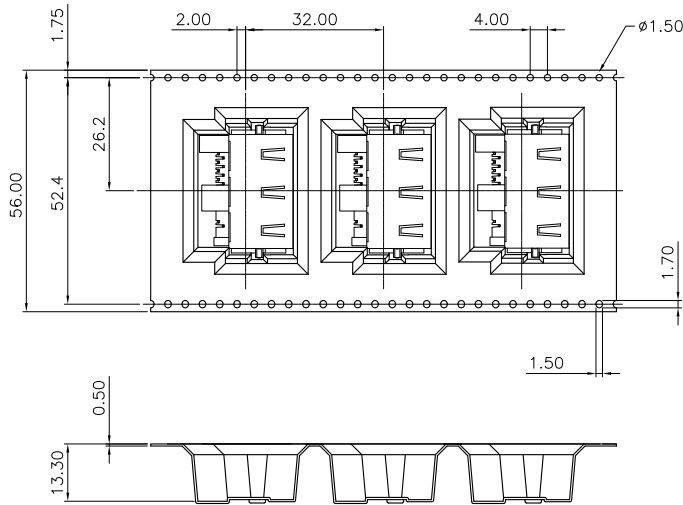
THIS DRAWING IS A CONTROLLED DOCUMENT.		DWN T. KUO 17JUL2008 CHK A. WU 17JUL2008 APVD W. KODAMA 17JUL2008	<b>TE</b> TE Connectivity NAME PRODUCT SPEC: <b>108-57701</b> APPLICATION SPEC	MODULAR JACK, RJ45+RJ11, WITH LED, BOTTOM MOUNT, DIP TYPE.
DIMENSIONS: MM 	TOLERANCES UNLESS OTHERWISE SPECIFIED: 0 PLC ± 1 PLC ±0.3 2 PLC ±0.25 3 PLC ±0.15 4 PLC ± ANGLES ±	WEIGHT 5.35 GRAMS CUSTOMER DRAWING	SIZE CAGE CODE DRAWING NO <b>A200779</b> <b>C=1775754</b>	RESTRICTED TO SCALE SHEET 1 OF 2 REV B

THIS DRAWING IS UNPUBLISHED. RELEASED FOR PUBLICATION  
 © COPYRIGHT BY TYCO ELECTRONICS CORPORATION. ALL RIGHTS RESERVED.

LOC	DIST	REVISIONS			
P	LTR	DESCRIPTION	DATE	OWN	APVD
DW	-	SEE SHEET 1.			



TOP OF TAPE



6 Kg	4 Kg	150	5	750 PCS
GROSS WEIGHT (REF.)	NET WEIGHT (REF.)	PCS/TAPE	REELS/BOX	QUANTITY

THIS DRAWING IS A CONTROLLED DOCUMENT.

APVD W. KODAMA 17JUL2008	NAME		MODULAR JACK, RJ45+RJ11, WITH LED, BOTTOM MOUNT, DIP TYPE.		
CHK A. WU 17JUL2008	DATE				
TOLERANCES UNLESS OTHERWISE SPECIFIED:	PRODUCT SPEC	SIZE	CAGE CODE	DRAWING NO	RESTRICTED TO
0 PLC ±	APPLICATION SPEC	A2	00779	C=1775754	
1 PLC ±	WEIGHT	CUSTOMER DRAWING		SCALE	SHEET
2 PLC ±				2 OF 2	REV B
3 PLC ±					
4 PCS ±					
ANGLES ±					