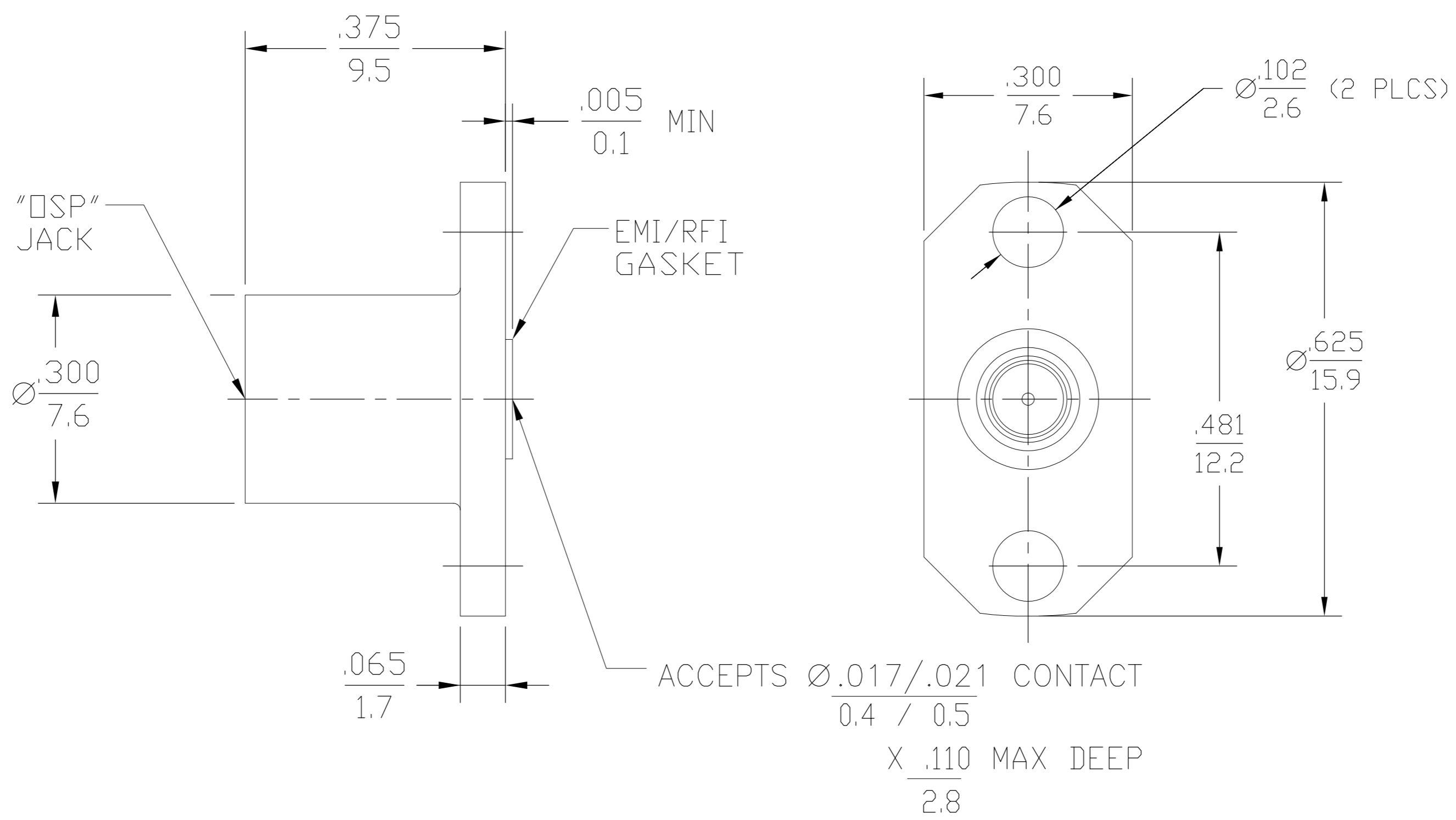


THIS DRAWING IS UNPUBLISHED. RELEASED FOR PUBLICATION
 © COPYRIGHT BY TYCO ELECTRONICS CORPORATION. ALL RIGHTS RESERVED.

LOC	DIST	REVISIONS					
AJ	00	P	LTR	DESCRIPTION	DATE	DWN	APVD
		A		RELEASED	01AUG2007	DW	FB



HOUSING	STAINLESS STEEL	PASSIVATE
DIELECTRIC	PTFE FLUOROCARBON	N/A
CENTER CONTACT	BERYLLIUM COPPER	GOLD PLATE
CONTACT RING	BERYLLIUM COPPER	GOLD PLATE
EMI GASKET	CONDUCTIVE ELASTOMERS	N/A
COMPONENT	MATERIAL	FINISH

THIS DRAWING IS A CONTROLLED DOCUMENT.		DWN	27JUL2007	Tyco Electronics Corporation Harrisburg, PA 17105-3608	
DIMENSIONS: INCHES		CHK	30JUL2007	NAME	
TOLERANCES UNLESS OTHERWISE SPECIFIED:		F.BLASICK		OSP 2 HOLE FLANGE MOUNT JACK RECEPTACLE-ACCEPTS .018±.001 DIA PIN	
0 PLC ± -		APVD		SIZE	
1 PLC ± -		30JUL2007		CAGE CODE	
2 PLC ± -		F.BLASICK		DRAWING NO	
3 PLC ± -		PRODUCT SPEC		RESTRICTED TO	
4 PLC ± .005		APPLICATION SPEC		A2 00779	
ANGLES ± 1°		408-8292		C=1059599	
MATERIAL		WEIGHT		SCALE	
FINISH		-		4:1	
-		CUSTOMER DRAWING		SHEET 1 of 1	
				REV A	

1059599