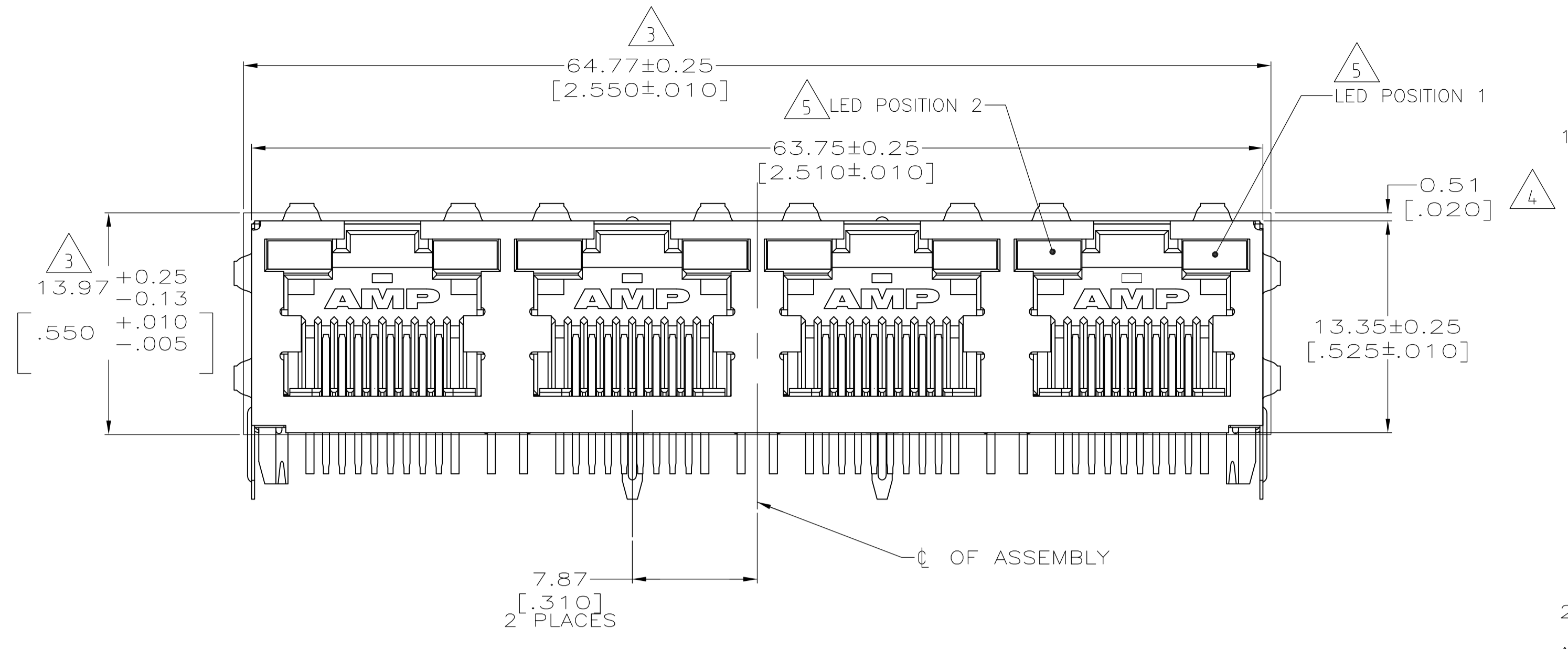
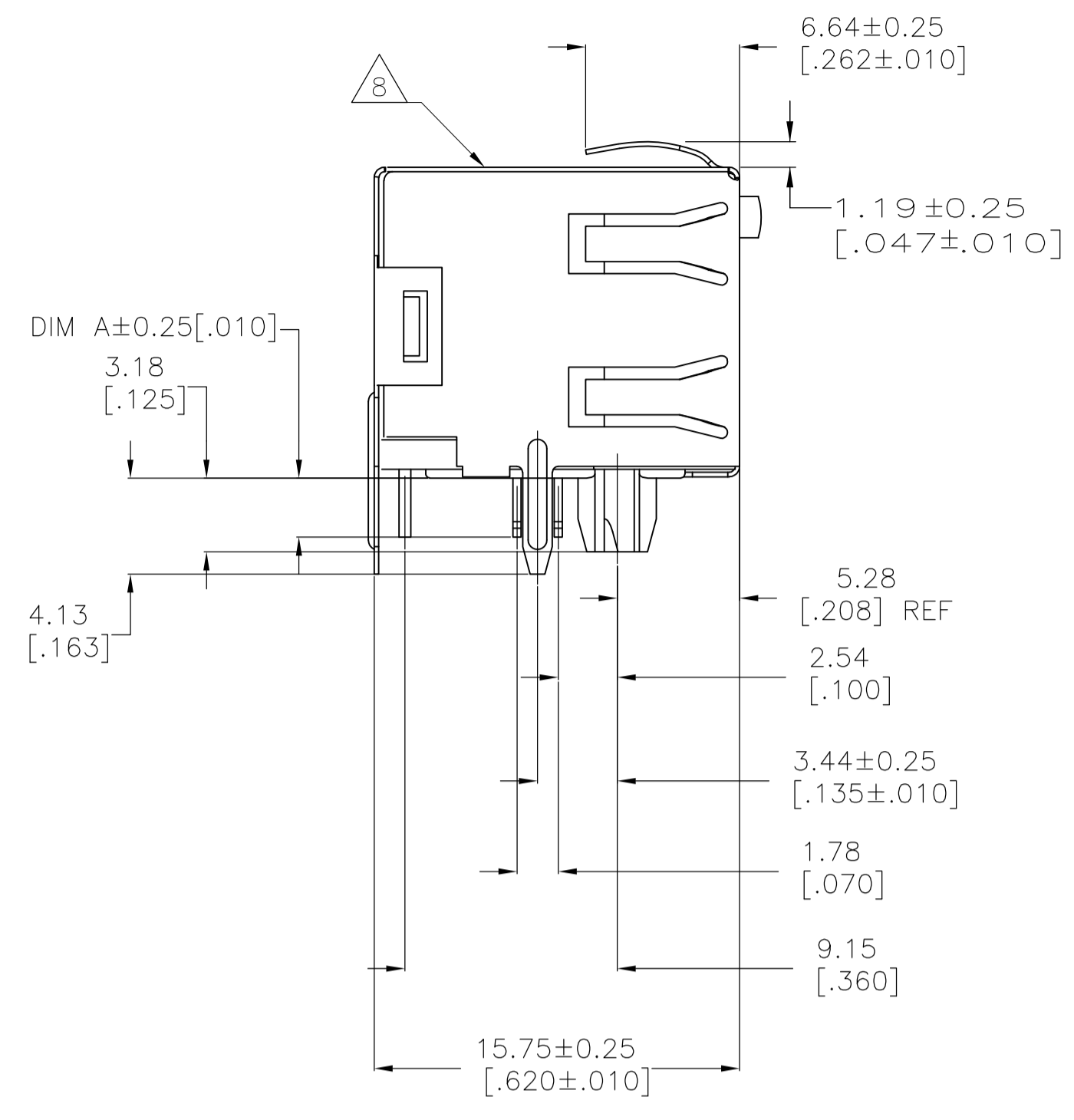
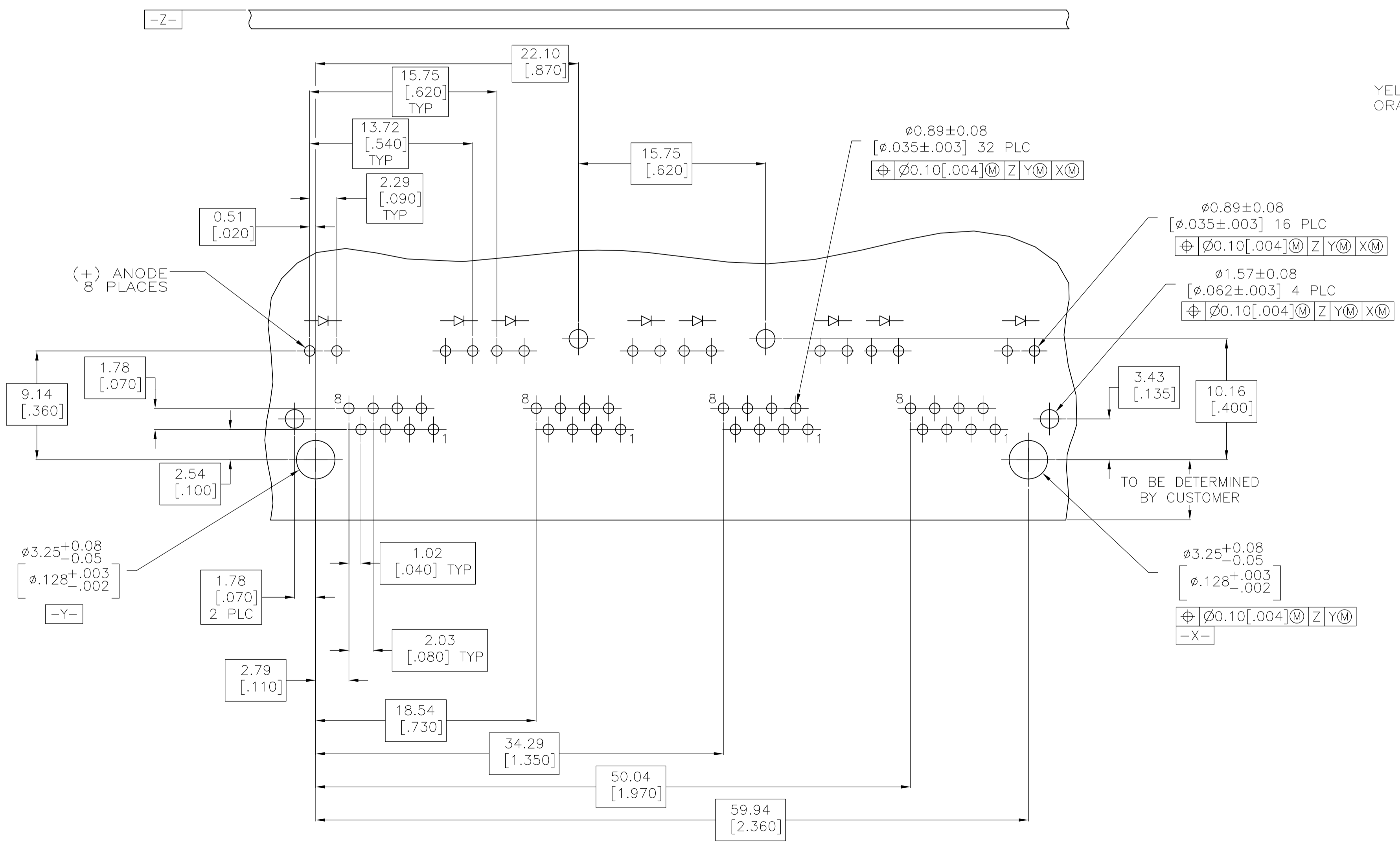


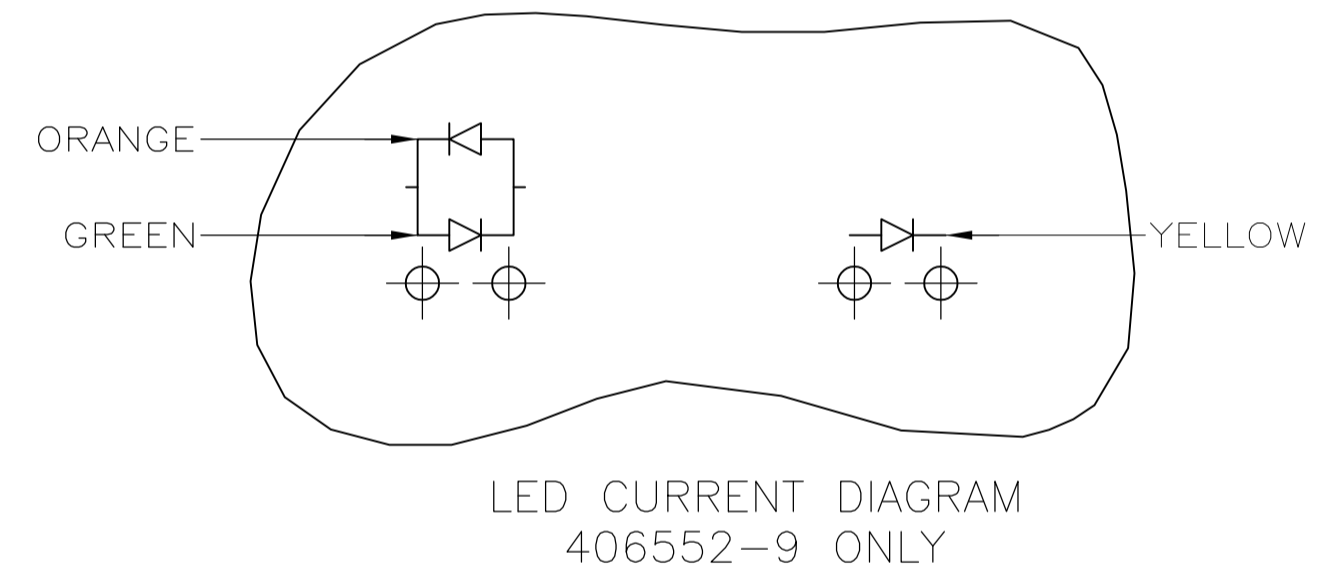
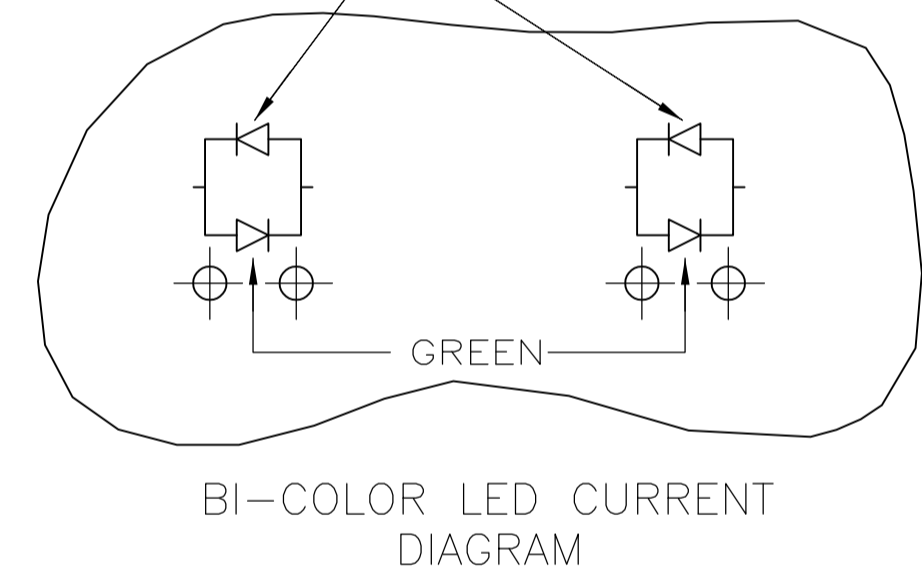
| LOC | | DIST | | REVISIONS | | | |
|-----|----|------|-----|---------------------------|---------|-----|------|
| AA | 00 | F | LTR | DESCRIPTION | DATE | DMN | APVD |
| | | K | | ECO-07-022131 | 03NOV07 | LAM | JW |
| | | K1 | | REVISED PER ECO-09-021826 | 12SEP09 | KK | AEG |
| | | K2 | | REVISED ECR-10-006801 | 01APR10 | AZ | SY |



- MATERIAL:
 HOUSING - HIGH TEMPERATURE THERMOPLASTIC, BLACK, UL94V-0.
 TERMINALS - 0.36[.014] THICK PHOS BRONZE PLATED WITH 3.81µm[.000150] MINIMUM THICK BRIGHT TIN LEAD IN SOLDER AREA. 1.27µm[.000050] MINIMUM GOLD IN LOCALIZED PLATE AREA. ENTIRE TERMINAL PLATED WITH 1.27µm[.000050] MINIMUM THICK NICKEL.
 SHIELD - 0.196[.0077] THICK COPPER ZINC ALLOY PREPLATED WITH 1.27µm[.000050] MINIMUM SATIN NICKEL WITH 2.03µm[.000080] MINIMUM TIN POST DIPPED ON PCB GROUND TABS.
 LIGHT EMITTING DIODE (LED) - DIFFUSED EPOXY LENS, 0.51 x 0.51[.020 x .020] CARBON STEEL WIREFRAME LEADS PLATED WITH 8.89µm[.000350] TIN/COPPER OVER 2.03µm[.000080] SILVER OVER 1.02µm[.000040] NICKEL UNDERPLATE OVER 2.03µm[.000080] COPPER UNDERPLATE.
- JACK CAVITY CONFORMS TO FCC RULES AND REGULATIONS PART 68, SUBPART F.
- SUGGESTED PANEL OPENING DIMENSIONS.
- SUGGESTED CLEARANCE BETWEEN TOP OF CONNECTOR AND TOP PANEL OPENING.
- SEE TABLE FOR COLOR OF LEDS AND NUMBER REQUIRED.
- THIS MODULAR JACK WITH INTEGRATED LED IS NOT IR REFLOW SOLDERING PROCESS COMPATIBLE.
- OBsolete PARTS: OBSOLETE CIS STREAMLINING PER D.RENAUD/D.SINISI
- MANUFACTURING DATE CODE:
 LOCATED APPROX. AS SHOWN.
 FIRST 2 DIGITS= LAST 2 DIGITS OF YEAR.
 NEXT 2 DIGITS= MANUFACTURING WORK WEEK.
 LAST DIGIT= DAY OF WEEK WITH SUNDAY=1.



YELLOW FOR 406552-8
 ORANGE FOR 406552-7



| INDICATOR COLOR FOR EACH HOUSING | POSITION 2 | POSITION 1 | PART NUMBER |
|----------------------------------|--------------|--------------|-------------|
| RED | GREEN | GREEN | 1-406552-4 |
| GREEN/RED | GREEN/RED | GREEN/RED | 1-406552-3 |
| YELLOW | GREEN | GREEN | 1-406552-1 |
| GREEN/ORANGE | YELLOW | YELLOW | 406552-9 |
| GREEN/YELLOW | GREEN/YELLOW | GREEN/YELLOW | 406552-8 |
| GREEN/ORANGE | GREEN/ORANGE | GREEN/ORANGE | 406552-7 |
| YELLOW | YELLOW | YELLOW | 406552-6 |
| GREEN | GREEN | GREEN | 406552-5 |
| GREEN | YELLOW | YELLOW | 406552-4 |
| YELLOW | - | - | 406552-3 |
| - | GREEN | GREEN | 406552-2 |
| YELLOW | GREEN | GREEN | 406552-1 |

RECOMMENDED PRINTED CIRCUIT BOARD LAYOUT (COMPONENT SIDE)

THIS DRAWING IS A CONTROLLED DOCUMENT.

DIMENSIONS: mm [INCHES]

TOLERANCES UNLESS OTHERWISE SPECIFIED:

| | | |
|--------|---|------------|
| 0 PLC | ± | - |
| 1 PLC | ± | 0.25[.01] |
| 2 PLC | ± | 0.13[.005] |
| 3 PLC | ± | 0.13[.005] |
| 4 PLC | ± | 0.13[.005] |
| ANGLES | ± | ± |

MATERIAL: SEE NOTE 1

FINISH: SEE NOTE 1

THIS DRAWING IS A CONTROLLED DOCUMENT.

DIN T. SPRINKLE 23SEP97

CHK T. SPRINKLE 23SEP97

APVD M. DERSTINE 23SEP97

NAME: TycO Electronics

Tyco Electronics Corporation
 Harrisburg, PA 17105-3608

PRODUCT SPEC: 108-1163-4

APPLICATION SPEC: 114-2154

SIZE: A1

WEIGHT: -

CAGE CODE: 00779

DRAWING NO: 406552

RESTRICTED TO: -

CUSTOMER DRAWING

SCALE: 4:1

SHEET: 1 of 1

REV: K2