

SUMMARY

Wires

Low	6
High	0
Coax	0
Triax	0
Quad	0
Fiber	0
Fluidic	0



Image is for illustrative purpose only

Download

[Request a quote](#)

[Catalog](#)

Series

Termination type	Female crimp
IP rating	50
Cable Ø	6.30 - 7.20 mm
Matching parts	EGJ.2B.306.CYC
Status	
Alternative part	

TECHNICAL DETAILS

Mechanics

Shell Style/Model	FG*: Straight plug, cable collet
Keying	2 keys (alpha=37.5, plug: female contacts, receptacle: male contacts)
Housing Material	Brass (chrome plated) shell and collet nut, nickel plated brass latch sleeve and mid pieces
Cable Fixing	∅ 6.3 - 7.2 mm
Variant	

Performance

Configuration	2B.306 : 6 Low Voltage
Insulator	Y: PEEK for crimp contacts
Rated Current	12 Amps

Specifications

Contact Type: Crimp
Max. Matings: 5000
Contact Retention: 40 N
Contact Dia.: 1.3 mm (0.051in)
Bucket Dia.: 1.4 mm (0.055in)
Min. Conductor: 0.5 mm ² (AWG 20)

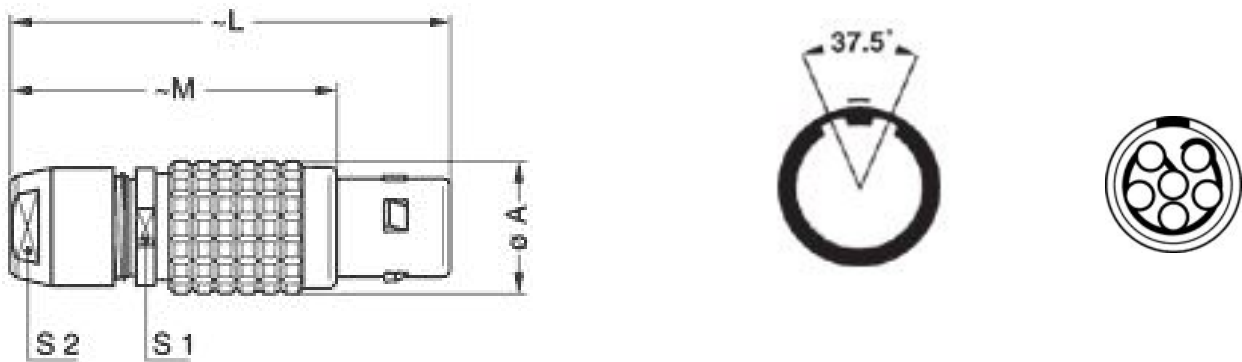
Max. Conductor: 1 mm² (AWG 18)
 R (max): 3.6 mOhm
 Vtest (contact-shell): 2350 V (AC), 3320 V (DC)
 Vtest (contact-contact): 2000 V (AC), 2850 V (DC)

Others

Humidity (max): <=95% [at 60 deg C / 140 F]
 Vibration: 15 g [10 Hz - 2000 Hz]
 Shock Resistance: 100 g [6 ms]
 Salt Spray Corrosion: >1000 hr
 Climatological Category: 50/175/21
 Shielding (min): 75 dB (10 MHz)
 Shielding (min): 40 dB (1 GHz)
 IP Rating: 50

DRAWINGS

Draws



Dimensions

	A	L	M	S1	S2
mm.	15	50	38	13	12
in.	0,59	1,97	1,50	0,51	0,47

RECOMMENDED BY LEMO

Tools

Crimp Tool: DPC.91.701.V
 Crimp settings: AWG/Selector = 18-20/8-7
 Positionner: DCE.91.132.BVM

Extractor: DCF.91.131.2LT
Replacement contact: EGG.2B.665.ZZM
Spanner wrench: MTZ.2B.220.120

Cables

CMN.06.T18.070PGCE	PVC	GREY	
CMN.06.T18.070PGZE		Grey	
CMN.06.T18.070PNCE	PVC	Black	
CMN.06.T18.070PNZE			
106 200	PVC	Black	