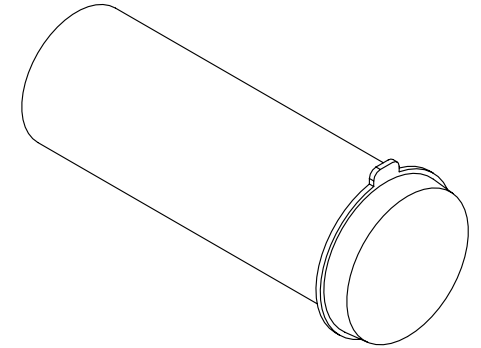
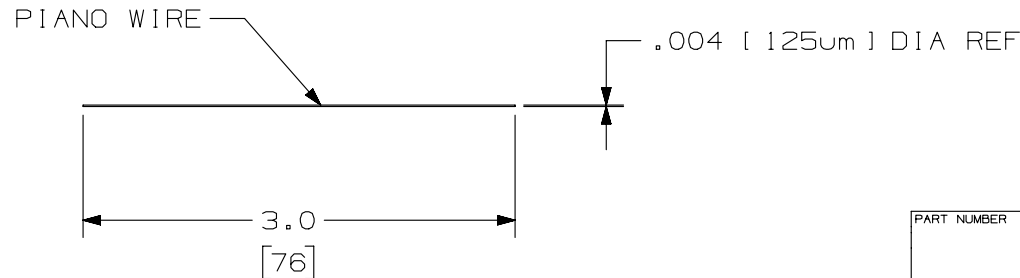
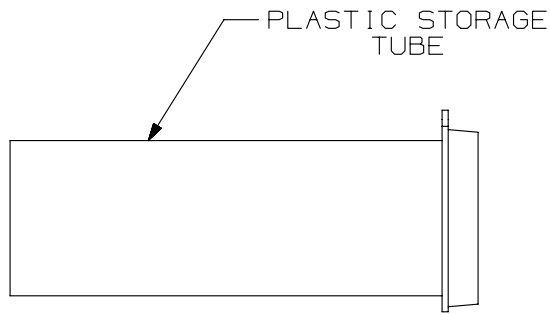


THIS COPY IS PROVIDED ON A RESTRICTED BASIS AND IS NOT TO BE USED IN ANY WAY DETRIMENTAL TO THE INTERESTS OF PANDUIT CORP.

PANDUIT PART NUMBER	WEIGHT
FPWIRE	.03 LB./TUBE [13.5 GRAMS/TUBE]

NOTES:

1. SEE CURRENT CATALOG FOR ADDITIONAL PART NUMBER SUFFIXES TO INDICATE PACKAGE QUANTITIES.
2. PIANO WIRE IS INTENDED TO BE USED TO REMOVE A BROKEN FIBER FROM THE FERRULE PRIOR TO TERMINATION.
3. PIANO WIRE IS CONSTRUCTED OF CARBIDE STEEL.
4. PIANO WIRE IS PACKAGED (8) PIECES OF WIRE PER PLASTIC STORAGE TUBE.
5. ALL DIMENSIONS IN BRACKETS ARE METRIC [mm].



PART NUMBER		FPWIRE	
TITLE			
TERMINATION KIT PIANO WIRE			
CUSTOMER DRAWING			
ITEM REVISION NAME		M01190CC/00	
DATASET FILE NAME		M01190CC_DC/00C	
UNLESS OTHERWISE SPECIFIED, DIMENSIONAL TOLERANCES ARE: IN [mm]		MATERIAL:	
.x ± .xx ± .03 [.8]		.xxx ± .010 [.3]	
ANGLES ±		DRAWING NUMBER:	
THIRD ANGLE PROJECTION		01190-27	
DRAWN BY	DATE	CHK	SCALE
EFK	07-24-03	RTF I	NONE
SHT 1 OF 1		SIZE	
A		A	

2	2/11/15	JSP	WJM	RWB	A. UPDATED DRAWING TITLE BLOCK.	01190-27
REV	DATE	BY	CHK	APR	DESCRIPTION	ECN

D10100DA/14

2

1

2

1