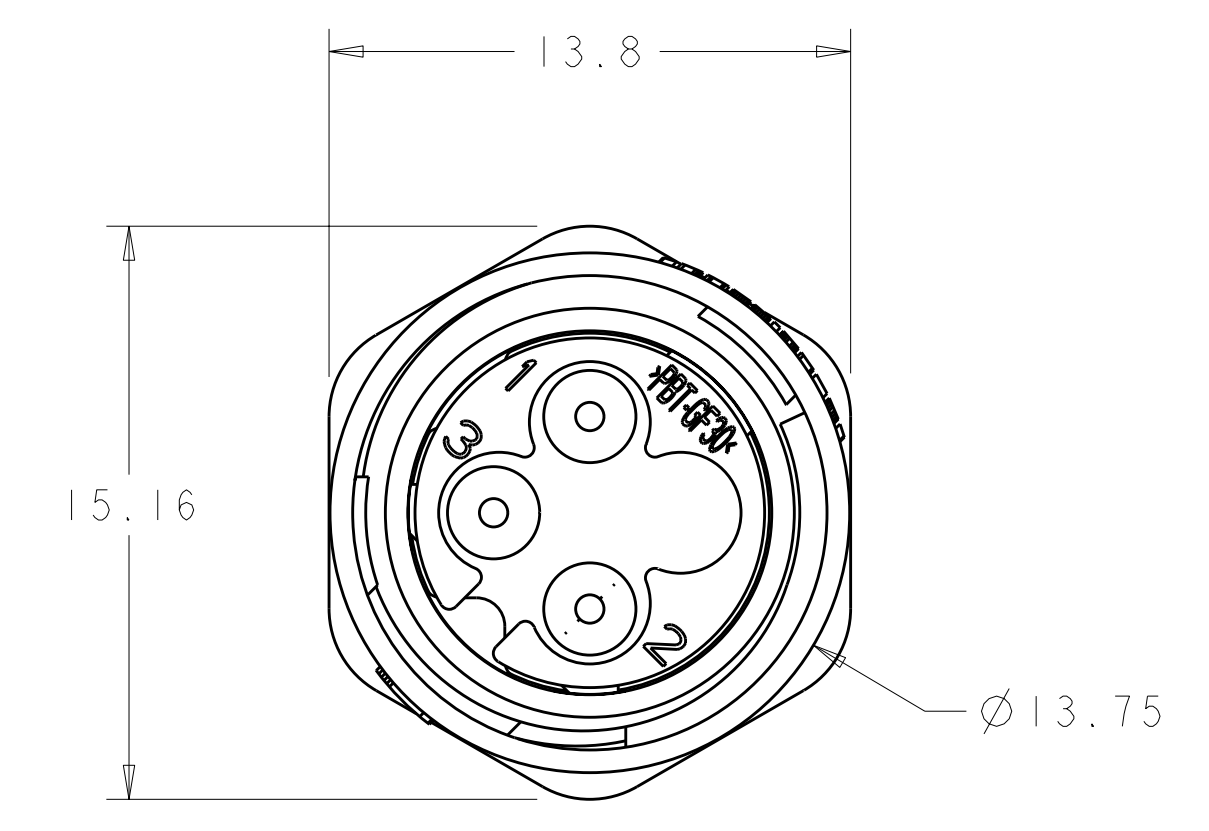
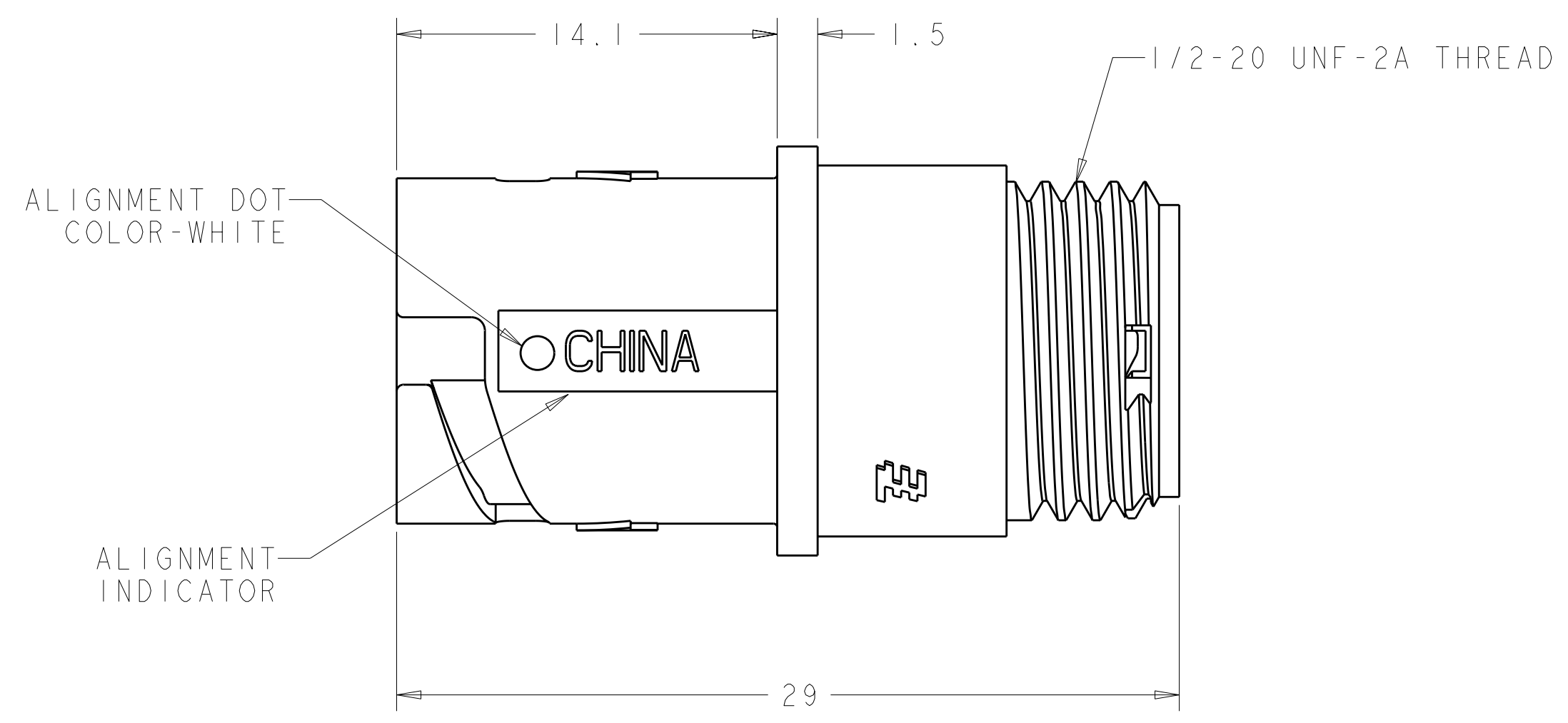
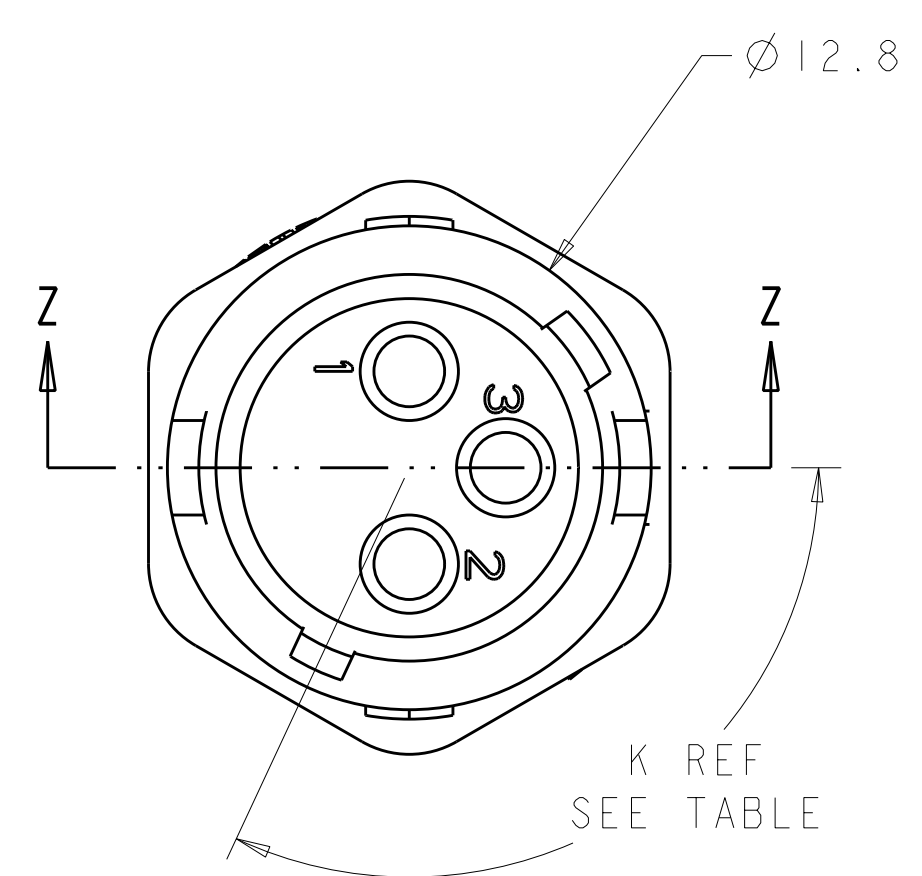
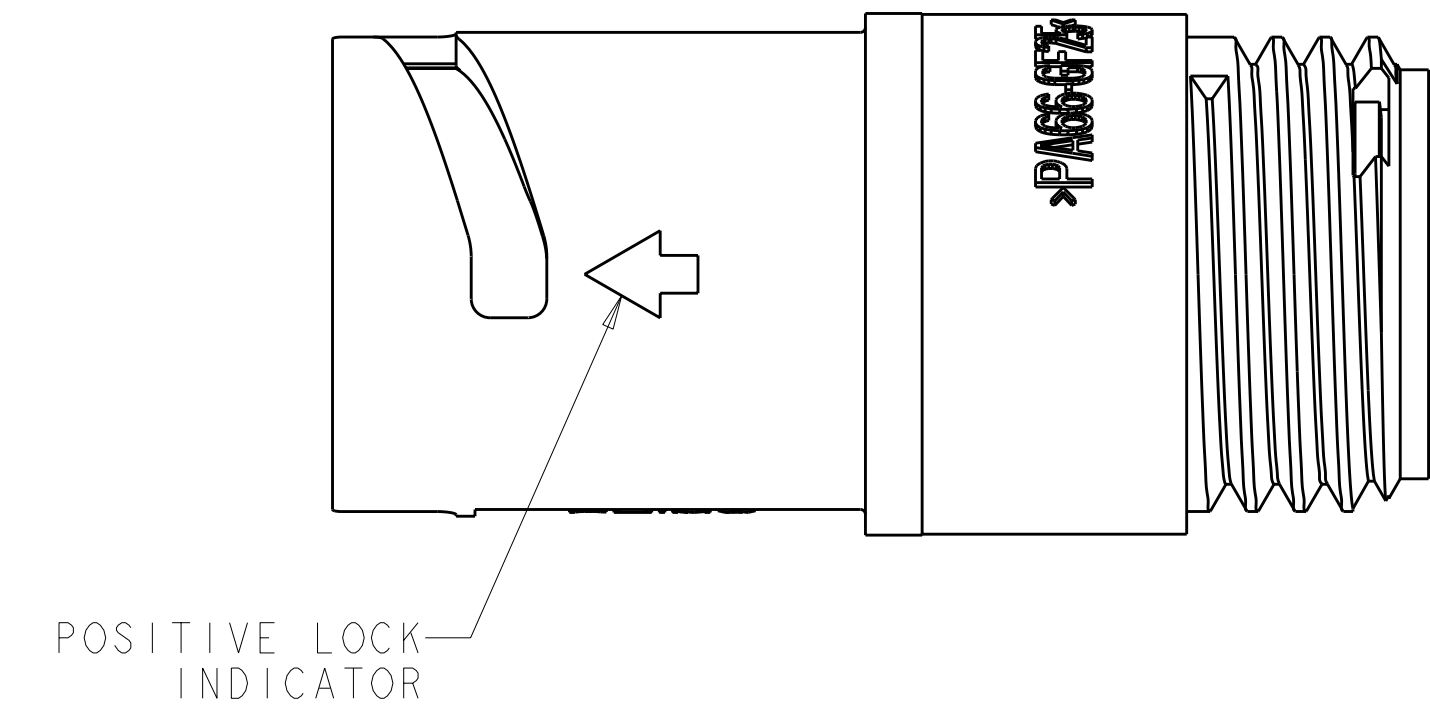
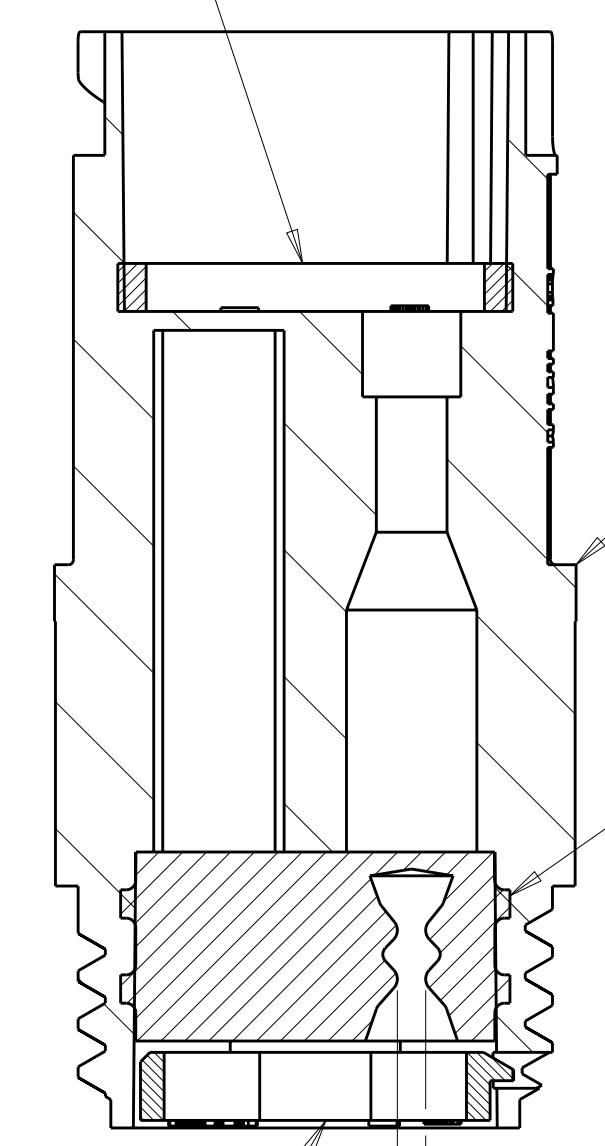


LOC		DIST		REVISIONS			
FT	0	P	LTB	DESCRIPTION	DATE	DWN	APVD
		B1		REVISED PER ECO-10-014504	19OCT10	HMR	MG



**QUALIFICATION TEST PENDING**

SEAL, PERIPHERAL, 1 REQD.  
 MATERIAL: ELASTOMER, COLOR-GRAY



HOUSING, 1 REQD.  
 MATERIAL: THERMOPLASTIC, COLOR-BLACK

SEAL, WIRE ENTRY, 1 REQD.  
 MATERIAL: ELASTOMER, COLOR-SEE TABLE

RETAINER, SEAL, 1 REQD.  
 MATERIAL: THERMOPLASTIC, COLOR-BLACK  
 Ø X REF SEE TABLE

SECTION Z-Z

YELLOW	Ø 0.75	130°	1445510-04
NATURAL	Ø 1.5	115°	1445510-03
NATURAL	Ø 1.5	130°	1445510-02
YELLOW	Ø 0.75	115°	1445510-01
SEAL, WIRE ENTRY COLOR	Ø X REF	K REF	PART NUMBER

<small>THIS DRAWING IS UNPUBLISHED. RELEASED FOR PUBLICATION 20. COPYRIGHT 20 BY TYCO ELECTRONICS CORPORATION, ALL RIGHTS RESERVED.</small>		DWN: S. WIEST 01MAY2001 CHK: G. DOUITY 01MAY2001 APVD: H. WAKEEM 12JUN2003	Tyco Electronics Harrisburg, PA 17105-3608
DIMENSIONS: mm 	TOLERANCES UNLESS OTHERWISE SPECIFIED: 0 PLC ±.5 1 PLC ±0.13 2 PLC ±0.13 3 PLC ±0.13 4 PLC ±0.0001 ANGLES ±.1	NAME: ASSEMBLY, RECEPTACLE, SIZE 8, 3 POSITION, FREE HANGING, SEALED, MINI CPC PRODUCT SPEC: - APPLICATION SPEC: - FINISH: -	SIZE: A1 CAGE CODE: 00779 DRAWING NO: 1445510 RESTRICTED TO: -
MATERIAL: SEE CALLOUT	FINISH: SEE CALLOUT	WEIGHT: -	SCALE: 5:1 SHEET 1 OF 1 REV: B1