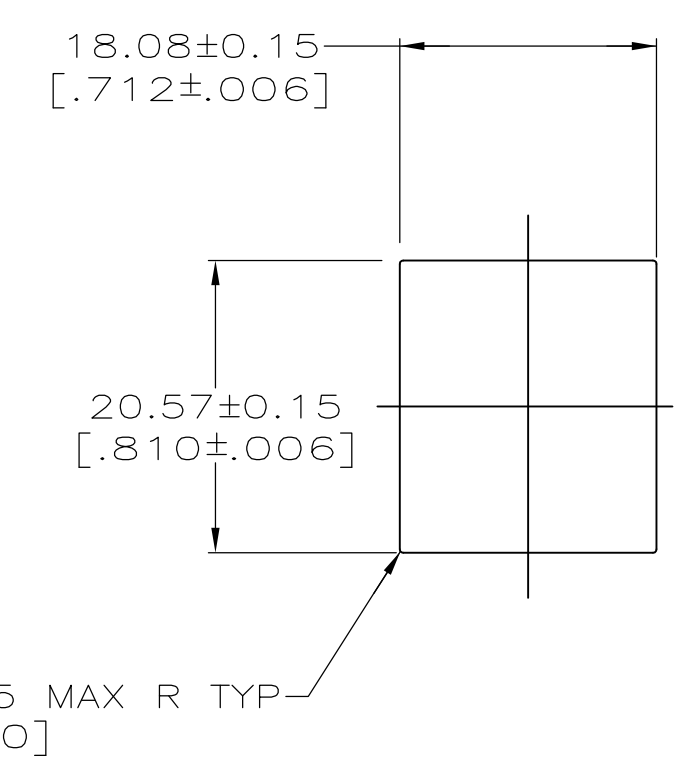
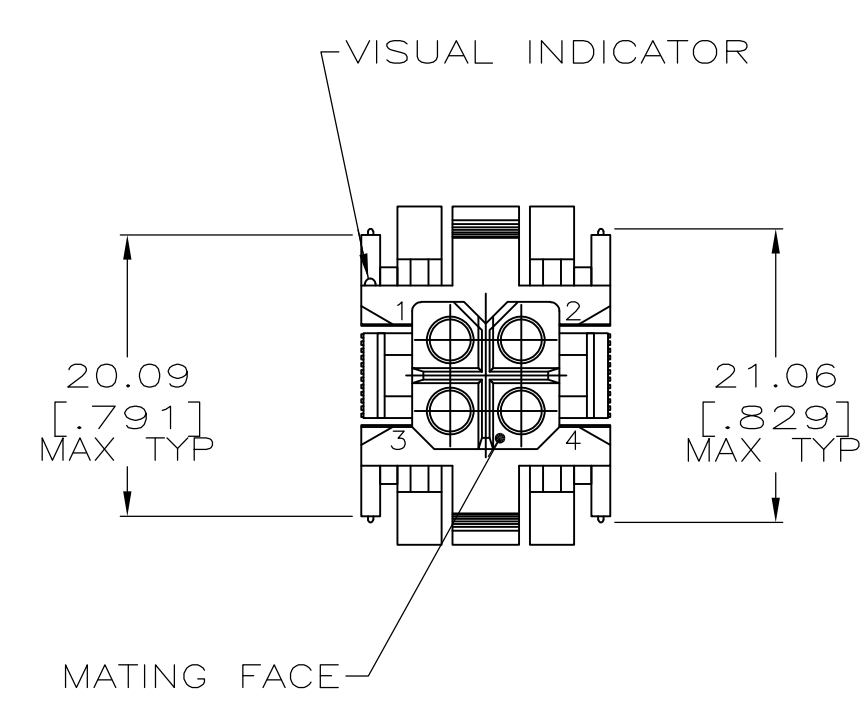
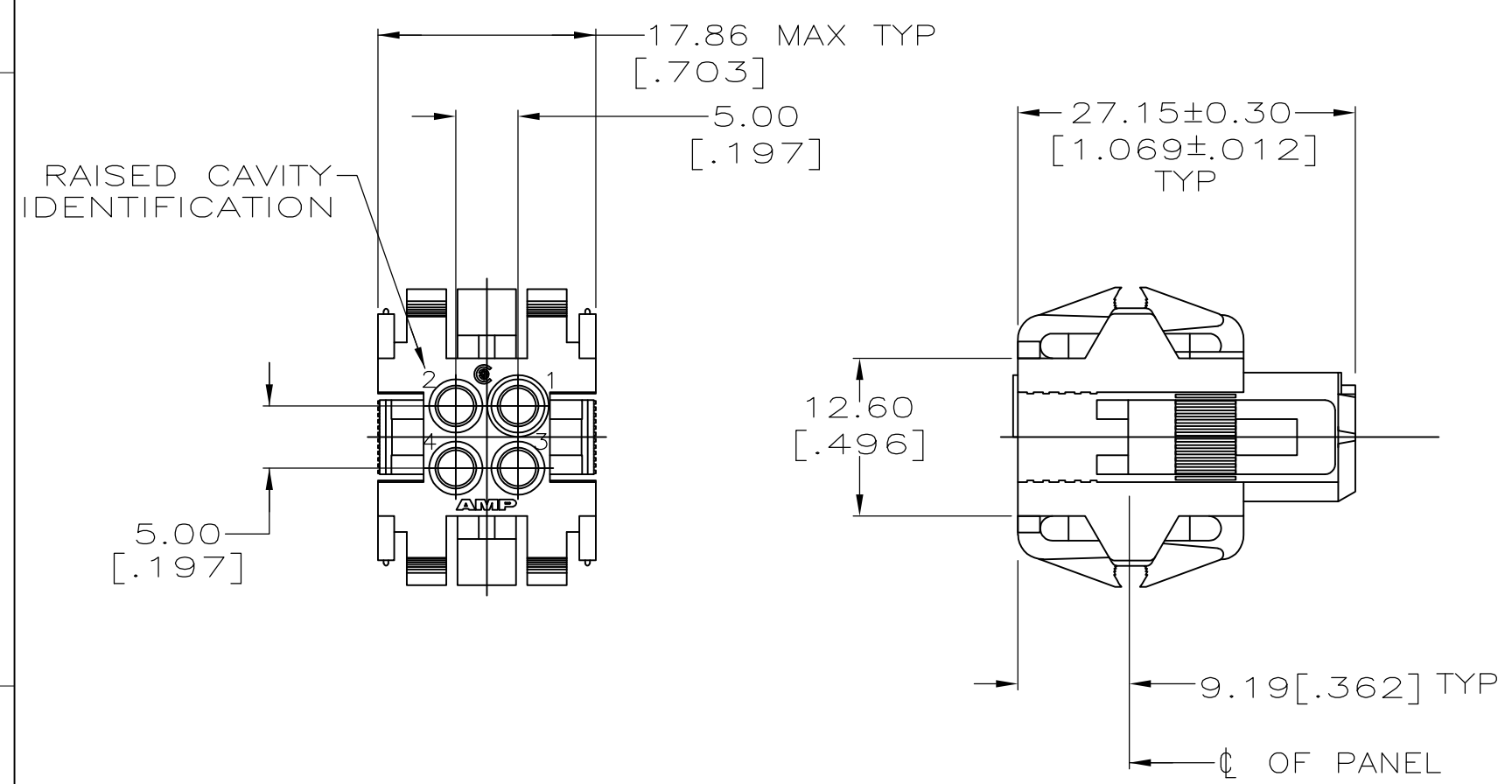


LOC	DIST	REVISIONS			
P	LTR	DESCRIPTION	DATE	DWN	APVD
FT	13	V1 REVISED PER ECO-11-004917	11MAR11	RK	HMR



PANEL CUTOUT

- 1. PANEL RETENTION MECHANISM ACCOMMODATES PANEL THICKNESSES FROM 0.76[.030] TO 2.29[.090].
- 2. SAME AS 207015-1 EXCEPT: ROUNDED EDGES ON THE OUTSIDE OF THE HOUSING AND A 45° ANGLE ON THE OUTSIDE OF THE HOUSING BY THE LOCKING LATCHES, REF 928095.

THIS DRAWING IS A CONTROLLED DOCUMENT FOR AMP INCORPORATED. IT IS SUBJECT TO CHANGE AND THE CONTROLLING ENGINEERING ORGANIZATION SHOULD BE CONTACTED FOR THE LATEST REVISION.

THIS DRAWING IS A CONTROLLED DOCUMENT.		DWN W.LENKER 08/26/92	207015-2	
		CHK R.STONE 8-31-92	207015-1	
		APVD A.TRAVIS 9-2-92	PART NO	
DIMENSIONS: mm[INCHES]		TOLERANCES UNLESS OTHERWISE SPECIFIED:	TE Connectivity	
		0 PLC ± -		
		1 PLC ± -		
		2 PLC ± 0.25 [.010]	HOUSING, PLUG, 4 POSITION, METRIMATE	
		3 PLC ± -	108-10033	
		4 PLC ± -	APPLICATION SPEC	
		ANGLES ± -	SIZE CAGE CODE DRAWING NO RESTRICTED TO	
MATERIAL NYLON, COLOR: RED		FINISH -	A2 00779 C-207015	
			CUSTOMER DRAWING SCALE 2:1 SHEET 1 OF 1 REV V1	