

PART NAME: KNOB

SCALE: 1:1

DATE: 9/27/83

DR. BY HD



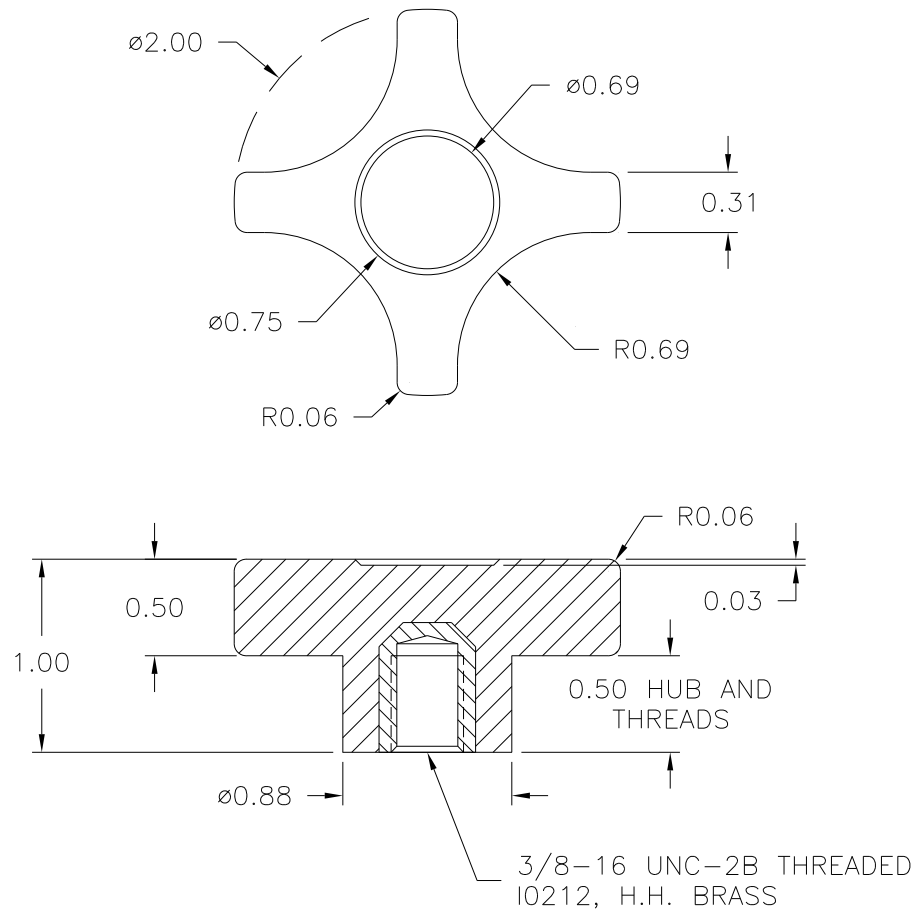
DESIGNERS & MANUFACTURERS OF KNOBS, HANDLES, CASES & CUSTOM PLASTIC COMPONENTS

P/N 2830-B

M^{NO.} 2890-2830

THIS DRAWING IS THE PROPERTY OF DAVIES MOLDING COMPANY, IS SUBMITTED SOLELY AS A DESIGN OR ENGINEERING PROJECT. WE ACCEPT NO RESPONSIBILITY WHATSOEVER FOR THE PRACTICAL APPLICATION OF THE PIECES MADE TO THIS DESIGN.

| | |
|----------------|-----------|
| CAVITY | 2830 |
| PLUNGER | 2830 |
| PLUNGER PIN | 2830 |
| PINS | 3000-E&E1 |
| LANDING BAR | .472 |
| PIN PLATE SHIM | .498 |
| SHIM | .018 |
| INSERT | I0212 |



MATERIAL: #4311 PLENCO PHENOLIC (B41)
 COLOR: BLACK

| | |
|---|----------------------------------|
| TOLERANCES: UNLESS OTHERWISE SPECIFIED | DO NOT SCALE DRAWING |
| DECIMALS: X.XXX ± .005 X.XX ± .015 | MM: X.XX ± 0.15MM X.X ± 0.4MM |
| FRACTIONS ± 1/64 | ANG. ± 1° |

| | | | |
|---|-------------------------------|----|----------|
| C | WAS .078 (B) | ST | 5/14/01 |
| - | RE-DID REDRAW | TL | 11/19/99 |
| - | CAD REDRAW | HD | 4/12/93 |
| B | SHIM ADDED | HD | 7/11/85 |
| A | PIN PLATE & LANDING BAR ADDED | HD | 11/20/84 |

CHANGES