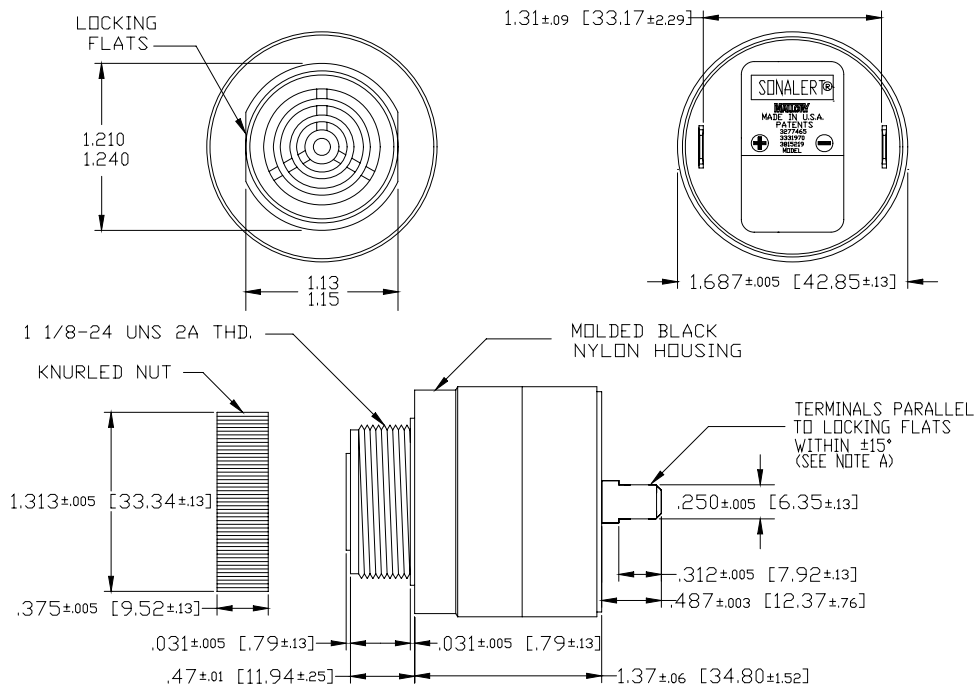


Specifications:

| | |
|-------------------------|-----------------------------------|
| Sound level Category | Medium Sound Level |
| Mode of Operation | Fast Pulse |
| Mounting | Panel (see note B) |
| Voltage Rating | 6 to 28 Vdc |
| Frequency | 2900 Hz 500 Hz |
| Loudness (Min. Voltage) | 68 dB(A) min. @ 2 FT and 6 Vdc |
| Loudness (Max Voltage) | 80 dB(A) min. @ 2 FT and 28 Vdc |
| Current Draw | 4 mA Max @ 6 Vdc |
| Current Draw | 16 mA Max @ 28 Vdc |
| Min. Pulse Rate | 2 @ 6 VDC |
| Max. Pulse Rate | 10 @ 28 VDC |
| Duty Cycle % | 50 (Approx) |
| Storage Temperature | -40°C to +85°C |
| Operating Temperature | -40°C to +85°C |
| Weight (Typical) | 1.5 oz (42 g) |
| Housing | 6/6 Nylon, Color Black |
| Options | For other options contact factory |

Dimensions: Inches (mm)



NOTE A: TERMINALS-.032 BRASS TIN PLATED, WILL ACCEPT 1/4" QUICK CONNECT.

NOTE B: MOUNTING- REMOVE BLACK PLASTIC NUT AND INSERT THREADED FRONT THROUGH 1.25" HOLE PUNCHED IN PANEL, IF ORIENTATION IS NEEDED, NOTE LOCKING FLATS ON DRAWING. SCREW NUT BACK ON. DO NOT OVERTIGHTEN.