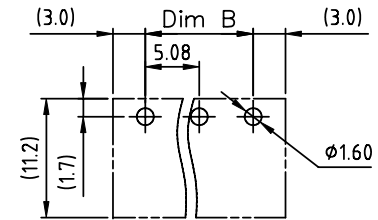
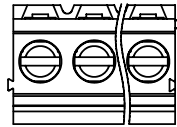
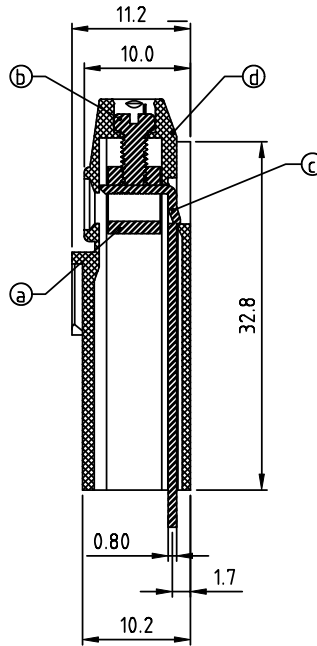
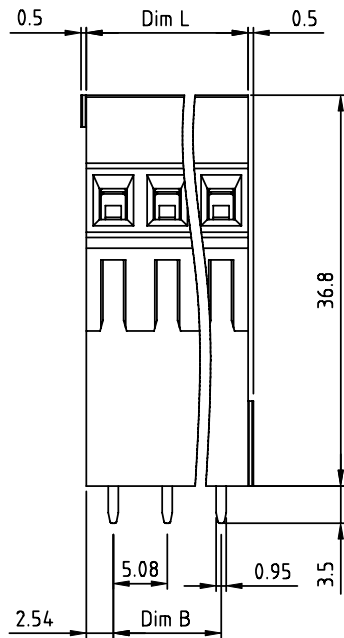


PRODUCT NUMBER	PITCH
YFxx21x000J0G	5.08mm



RECOMMENDED P.C.B LAYOUT  
TOP VIEW



Material

- Item (a) Clamp : Brass , Ni plated
- Item (b) Terminal screw: Steel , Zinc plating "-" slot type
- Item (c) Solder pin : Brass, Tin plated
- Item (d) Terminal housing : Thermoplastic (UL94V-0)

Electrical UL

- Voltage rating: 300VAC
- Current rating: 10A
- Wire range:
- Solid wire(AWG): 12-24
- Stranded wire(AWG): 12-24
- Torque(Lb-In): 3.5
- Screw: M2.5
- Wire strip length: 6-7mm
- Withstanding Voltage: 1.6KV
- Operating temperature: -40°C to +115°C
- Soldering temperature: 260°C±5°C/5 Sec
- Safety Approval:

DIMENSION

Dim L	Nx5.08
Dim B	(N-1)x5.08

N=Number of poles

Poles	DimL&B Tolerance
2P-4P	±0.15
5P-8P	±0.25
9P-16P	±0.35
17P-24P	±0.40

PART NO.: YF xx 2 1 x 0 00J0 G

End stackable	0	Color	Black (RAL9005)	RoHS compliant	(lead<4%)
No. of poles	2		Red (RAL3001/D)	In copper Alloy	
	02		3 Orange(RAL2011/P)		
	03		4 Yellow(RAL1018/A)		
	...		5 Green(RAL6018/T)		
	24		6 Blue (RAL5015/A)		
			8 Grey(RAL7035/D)		
			9 White(RAL1102)		
			C Green(RAL6018/U)		

mat'l. code		surface ASME Y14.5	tolerance ASME Y14.5	projection 	product family TERMINAL BLOCK
ltr	ecn no	dr	date		title TERMINAL BLOCK
				angles X±0.5	scale RISING CLAMP, 180D WIRE INLET, END STACKABLE
				tolerances unless otherwise specified	dwg no YFxx21x000J0G
				X±1°	sheet 1 of 1 size A4
				dr EVIN ZHONG 041014	type CUSTOMER Drawing
				enrg EVIN ZHONG 041014	
				chr HANKE FENG 041014	
				appd SHI JUN 041014	
sheet index	revision	A			
	sheet	1			