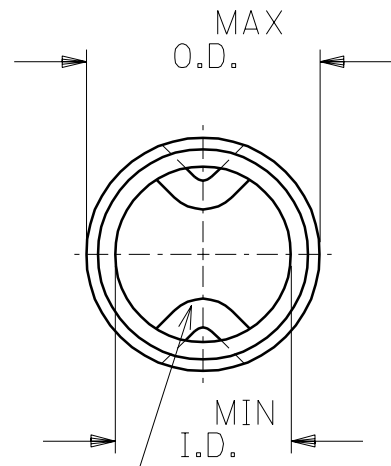
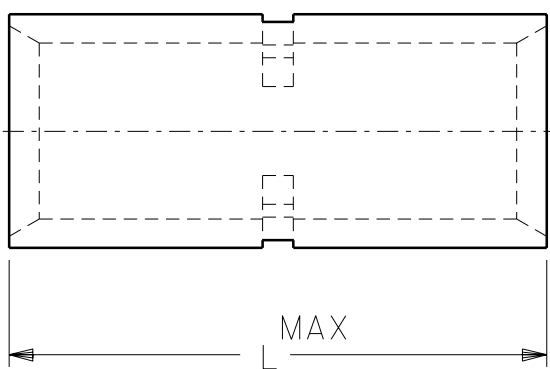


| PART NO. | WIRE SIZE | I.D. MIN. | O.D. MAX. | "L" MAX. | WIRE STOP QTY. |
|----------|-----------|-----------|-----------|----------|----------------|
| D-354 | 8 | .165 | .295 | .864 | ONE |
| E-362 | 6 | .230 | .374 | 1.045 | ONE |
| F-364 | 4 | .277 | .457 | 1.155 | ONE |
| G-372 | 2 | .357 | .538 | 1.280 | ONE |
| H-383 | 1/0 | .439 | .620 | 1.440 | TWO |
| J-388 | 2/0 | .496 | .697 | 1.440 | TWO |
| K-393 | 3/0 | .554 | .760 | 1.540 | TWO |
| L-378 | 4/0 | .621 | .860 | 1.540 | TWO |

DRWG. NO. CD-31003



(A)
WIRE STOP SEE CHART FOR QUANTITY

| | |
|------|--|
| A | ADDED WIRE STOP INFORMATION ETC60355 3/11 RCM |
| LTR. | REVISIONS |

| | |
|---|-------------------|
| DIMENSIONS SHOWN (METRIC) INCH | |
| UNLESS OTHERWISE SPECIFIED TOLERANCES: ANGULAR ± 1/2° | |
| | INCH METRIC |
| 3 PLACE | ± .005 ± --- |
| 2 PLACE | ± .01 ± 0.13 |
| 1 PLACE | ± --- ± 0.25 |
| DRAFT WHERE APPLICABLE MUST REMAIN WITHIN DIMENSIONS | |
| DRWG. BY RCM | CHK'D. BY JM |
| APP'D. BY FP | SCALE NO:NE |

| | | | |
|--|--|-----------------------|-------------------|
| REVISE ONLY ON CAD SYSTEM | | | |
| TITLE VERSAKRIMP BUTT CONNECTORS | | | |
| molex ETC INC. PINELLAS PARK, FLA. 33781 U.S.A. | | SHEET NO. | DATE 94/03/17 |
| PART NO. SEE CHART | | DRWG. NO. CD-31003 | |
| FILE NAME CD13003 CST | THIS DRAWING CONTAINS INFORMATION THAT IS PROPRIETARY TO MOLEX-ETC INC. AND SHOULD NOT BE USED WITHOUT WRITTEN PERMISSION. | | DIV. SIZE A |