

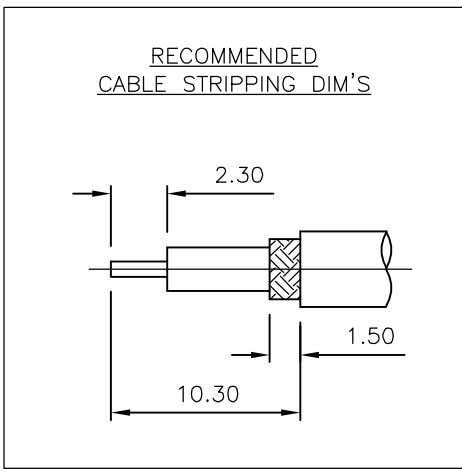
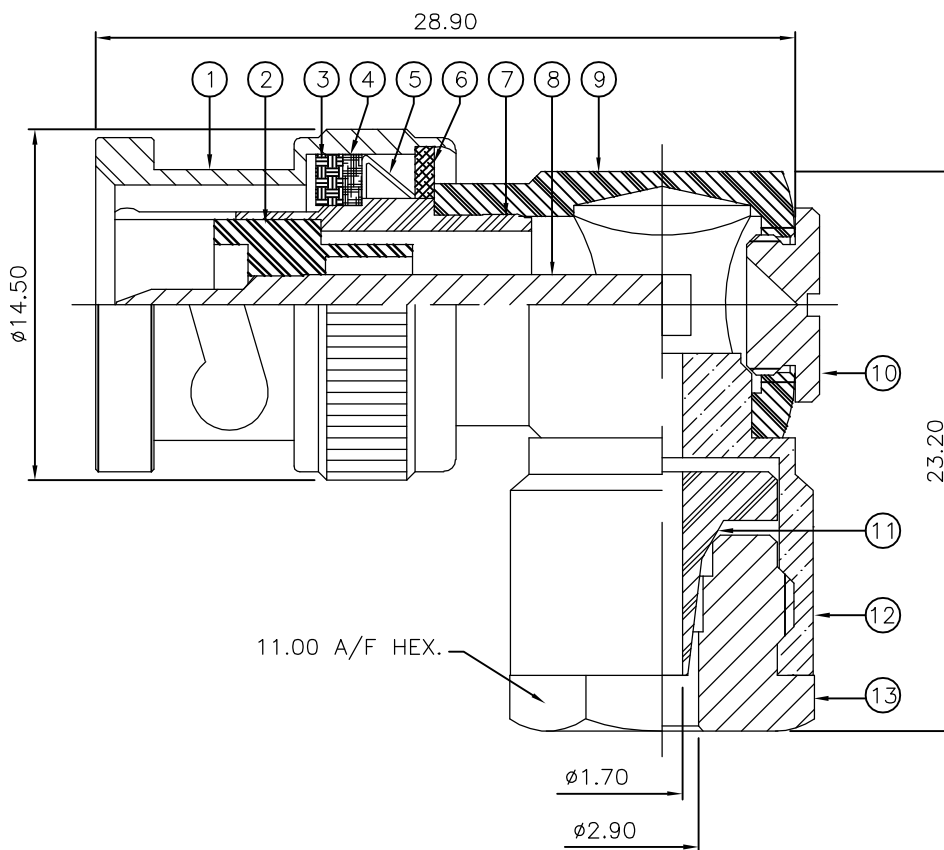
THIS DRAWING IS UNPUBLISHED. RELEASED FOR PUBLICATION JULY, 2006.

© COPYRIGHT 2006 BY TYCO ELECTRONICS CORPORATION. ALL RIGHTS RESERVED.

LOC	DIST	REVISIONS					
E	B	P	LTR	DESCRIPTION	DATE	DWN	APVD
		B		ECR-06-015596	03JUL06	JMS	FWK

NOTES:

- 1 PACK IN ACCORDANCE WITH AMP SPEC 107-3275
- 2 100 TRAY PACK IN ACCORDANCE WITH AMP SPEC 107-3275
- 3 Ag PLATING
- 4 Ni PLATING
- 5 THIS ITEM MUST BE WHITE
- 6 ELECTRICAL CHARACTERISTICS
 FREQUENCY RANGE: DC - 2 GHz
 NOMINAL IMPEDANCE: 75 Ohm
 INSULATION RESISTANCE: 5000 MOhm
 WORKING VOLTAGE: 500 Volts RMS at Sea Level
 DIELECTRIC WITHSTAND VOLTAGE: 1500 Volts RMS Max
 CONTACT RESISTANCE:
 CENTRE CONTACT: 1.50 mOhm Max
 OUTER CONTACT: 0.20 mOhm Max
 VSWR @ 2GHz: 1.25:1 Max
 INSERTION LOSS dB @ x 2 GHz: 0.30 Max
- 7 MECHANICAL CHARACTERISTICS
 COUPLING RETENTION FORCE: 445N Min
 CABLE RETENTION FORCE: 85N Min
 CLAMP NUT RECOMMENDED TORQUE: 4N
 DURABILITY: 500 Cycles Min
- 8 ENVIRONMENTAL CHARACTERISTICS
 OPERATING TEMPERATURE: -65 to +165 DegC
- 9 FOR TECHNICAL DATA REFER TO YOUR LOCAL TYCO ELECTRONICS SALES OFFICE
- 10 ALL DIMENSIONS ARE NOMINAL FOR REFERENCE ONLY UNLESS OTHERWISE STATED



QTY	UNIT	MATERIAL	DESCRIPTION	ITEM
1	1	BRASS	CLAMP NUT	13
1	1	BRASS	CHASSIS	12
1	1	BRASS	SLEEVE	11
1	1	BRASS	CAP	10
1	1	BRASS	BODY II	9
1	1	BRASS	CONTACT	8
1	1	BRASS	BODY I	7
1	1	BRASS	WASHER	6
1	1	SPRING STEEL	SPRING	5
1	1	BRASS	RETAINING RING	4
1	1	SILICONE RUBBER	GASKET	3
1	1	PTFE	INSULATION	2
1	1	BRASS	SHELL	1
6--0	1--0	MATERIAL	DESCRIPTION	ITEM

THIS DRAWING IS A CONTROLLED DOCUMENT.		DWN J.SANDWELL 03JUL06	Tyco Electronics Corporation Bideford EX39 4HE	
DIMENSIONS: mm		CHK S.PARLOW 03JUL06		
TOLERANCES UNLESS OTHERWISE SPECIFIED:		APVD F.WHEELER-KING 03JUL06	NAME BNC ELBOW WEDGE CLAMP PLUG 75 OHM RG179B/U, 187A/U, URM111	
0 PLC ± -		PRODUCT SPEC -	SIZE A3	
1 PLC ± -		APPLICATION SPEC -	CAGE CODE 00779	DRAWING NO C-1478125
2 PLC ± -		WEIGHT -	RESTRICTED TO -	
3 PLC ± -		CUSTOMER DRAWING	SCALE NTS	SHEET 1 OF 1
4 PLC ± -				REV B
ANGLES ± -				
FINISH -				
MATERIAL SEE TABLE				