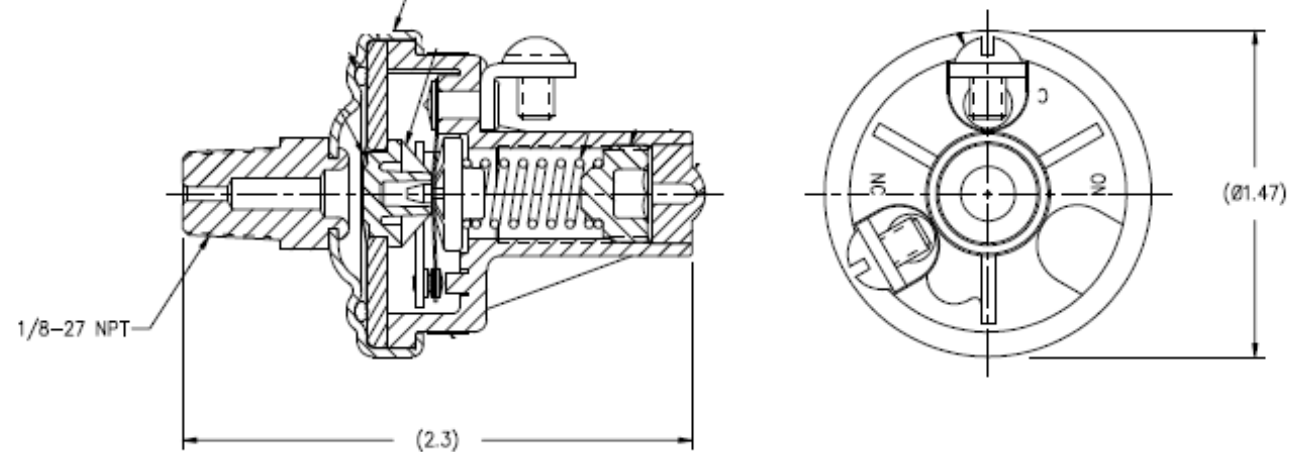


FD-55111-C

HONEYWELL PART NUMBER
78303

REV	DOCUMENT	CHANGED BY	CHECK	
C	0070272	SBH	12OCT10	CMH


USING 3/32 HIGH CHARACTERS, MARK WITH HONEYWELL
PART NO., PRESSURE SETTING, DATE CODE AND
ELECTRICAL RATING AS FOLLOWS:
78303-X XXX 3 AMP-6V 1.5 AMP-12V



SM. TO: 78063, M-4266

NOTES:

1. SINGLE CIRCUIT NORMALLY CLOSED PRESSURE SWITCH.
2. OPENING RANGE $25-50 \pm 4$ PSI.
3. SEE SPEC. 99005 FOR MANUFACTURING SPEC.

DESIGN UNITS: INCH	DRAWN	MRH	20MAR92	Honeywell				
TOLERANCES UNLESS NOTED:	CHECK	-	-					
NO PLACES X ± -	THIS DRAWING COVERS A PROPRIETARY ITEM AND IS THE PROPERTY OF HONEYWELL. THIS DRAWING IS NOT TO BE COPIED OR USED WITHOUT THE PERMISSION OF HONEYWELL.			TITLE				
ONE PLACE .X ± .020				PRESSURE SWITCH N.C.				
TWO PLACE .XX ± .010				SCREW TERMINALS				
THREE PLACE .XXX ± .005				UL 5000 SERIES SWITCH				
ANGLES X ± 0° 30'	INTERPRET PER ASME Y14.5M-1994 OTHER HONEYWELL ENGINEERING STANDARDS MAY APPLY			SIZE	TYPE	CAGE CODE	DRAWING NAME	REV
THIRD ANGLE PROJECTION 	AUTOCAD 2D			B	E	-	78303	C
	SCALE			2:1	SHEET		1 OF 1	