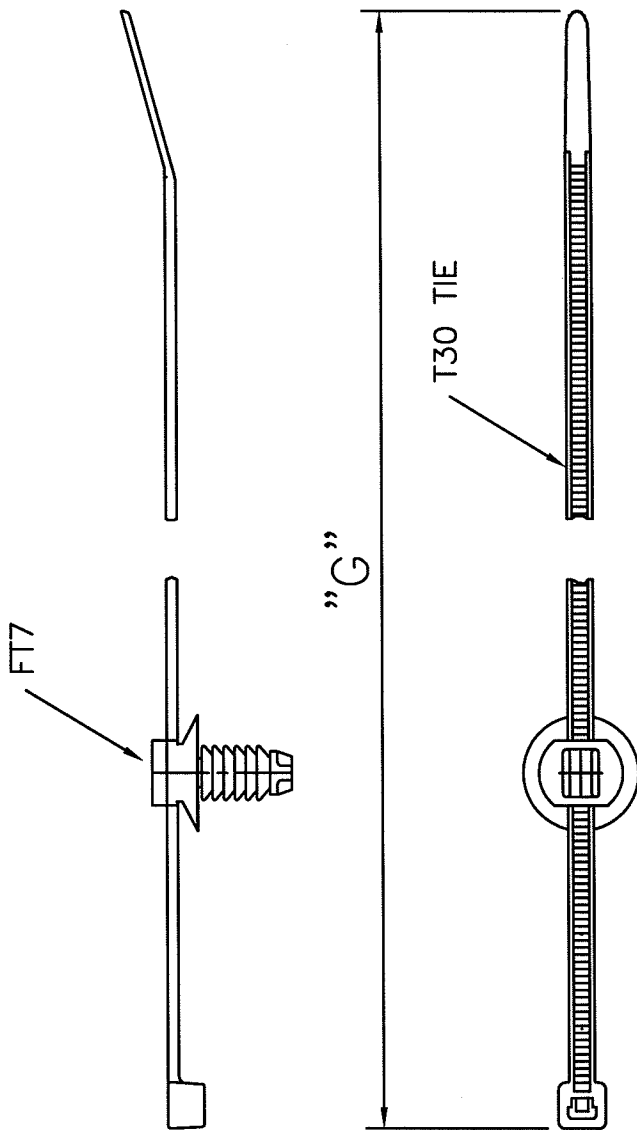


Revision level		Revision Record		Changed		Date		Approved		Date	
Part	Drawing										



PART No	TIE	PT No	"G"
T30RFT7	T30R		148±7.0
T30LFT7	T30L		198±10.0
T30LLFT7	T30LL		290±10.0

PANEL SPECIFICATION:--
HOLE DIA:--6.5 TO 7.0
THICKNESS:--
0.8 TO 7.0

Material P.A.66
Dimension without tolerances
details to:

DIN 16901

Tolerances
PERFORMANCE
SPECIFICATION

ACAD



The copyright of this drawing is reserved
by HELLERMANNITYTON.
It is issued on condition that it is not
reproduced, copied or disclosed to a
third party, either wholly or in part, without
the consent of HELLERMANNITYTON.

Done By
Checked By

Izel Ang
Edward Tan

25/03/04
25/03/04

Scale
Title

NOT TO SCALE
T30/FT7

Hellermannityton

Network Products Group
545, Yishun Industrial Park A,
Singapore 768741
Tel: (+65) 6852 8585
Fax: (+65) 6756 6798

Drawing-No

SM1202-00

Format
A4

Sheet 1 of 1

Uncontrolled
Document