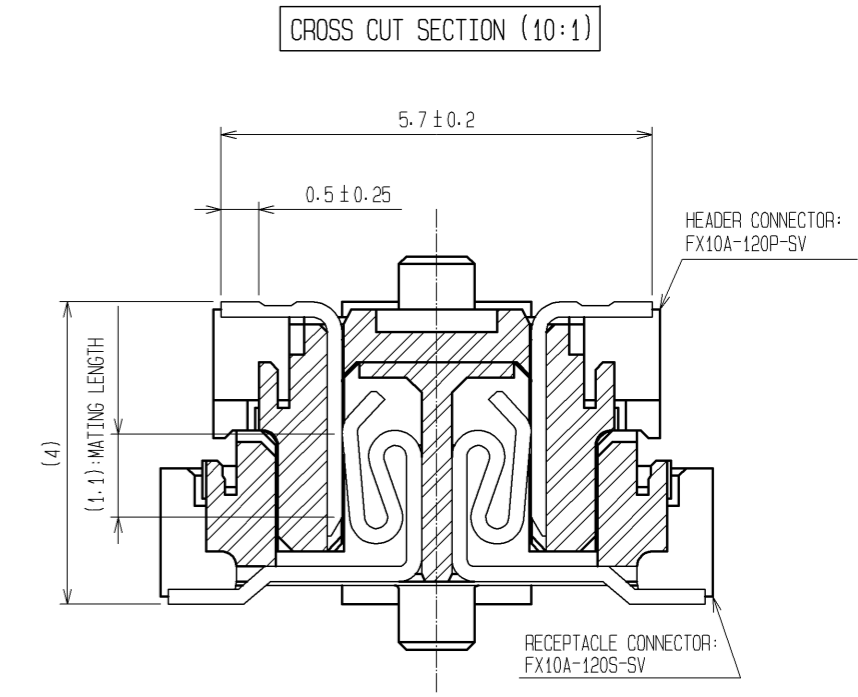
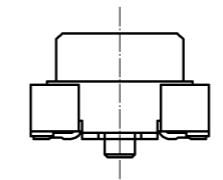
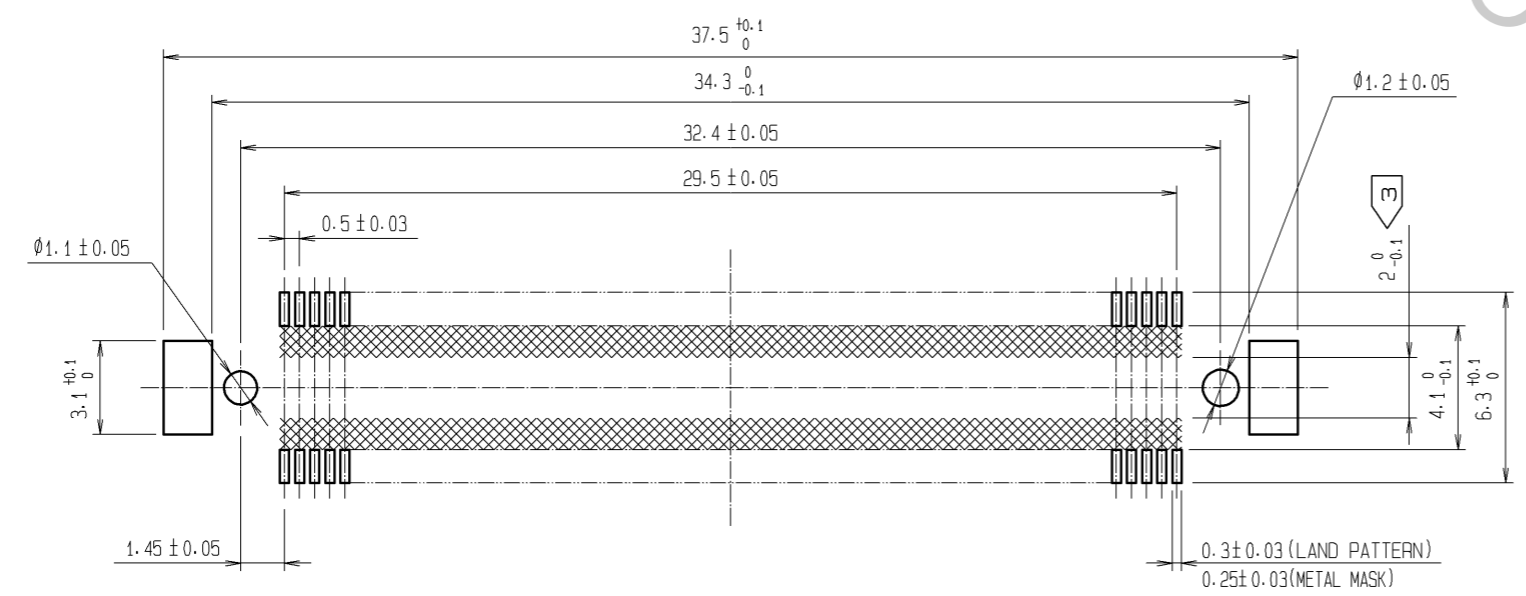


RECOMMENDED LAND PATTERN DIMENSION OF PCB  
(RECOMMENDED METAL MASK THICKNESS: 0.15mm)



- NOTES
- 1 SMT LEAD-COPLANARITY: 0.1 MAX.
  - 2 THIS PRODUCT HAS NO POLARITY TO PATTERN FOR MOUNTING.
  - ③ MAKE SURE WIDTH OF PATTERN IS WITHIN THAT OF LAND, OR LEAD MAY TOUCH PATTERN. (THIS APPLIES TO HATCHED AREA.)
  - 4 THE DIMENSIONS IN PARENTHESES ARE FOR REFERENCE.

3	PHOSPHOR BRONZE	TIN-PLATING
2	PHOSPHOR BRONZE	CONTACT AREA: GOLD 0.1µm min. LEAD AREA: TIN-PLATING 1µm min. UNDER PLATING: NICKEL 1µm min.

1	LCP	BEIGE	UL94V-0
NO.	MATERIAL	FINISH	REMARKS

UNITS	mm	SCALE	4 : 1	COUNT	△	DESCRIPTION OF REVISIONS	DESIGNED	CHECKED	DATE
<b>HRS</b>	HIROSE ELECTRIC CO., LTD.	APPROVED	HS. OKAWA	09.04.14	DRAWING NO. EDC3-151953-25				
		CHECKED	HT. YAMAGUCHI	09.04.14					
		DESIGNED	SY. KAMIGA	09.04.14		PART NO. FX10A-120P-SV(71)			
		DRAWN	HK. SUNADORI	09.04.13		CODE NO. CL570-0042-2-71			